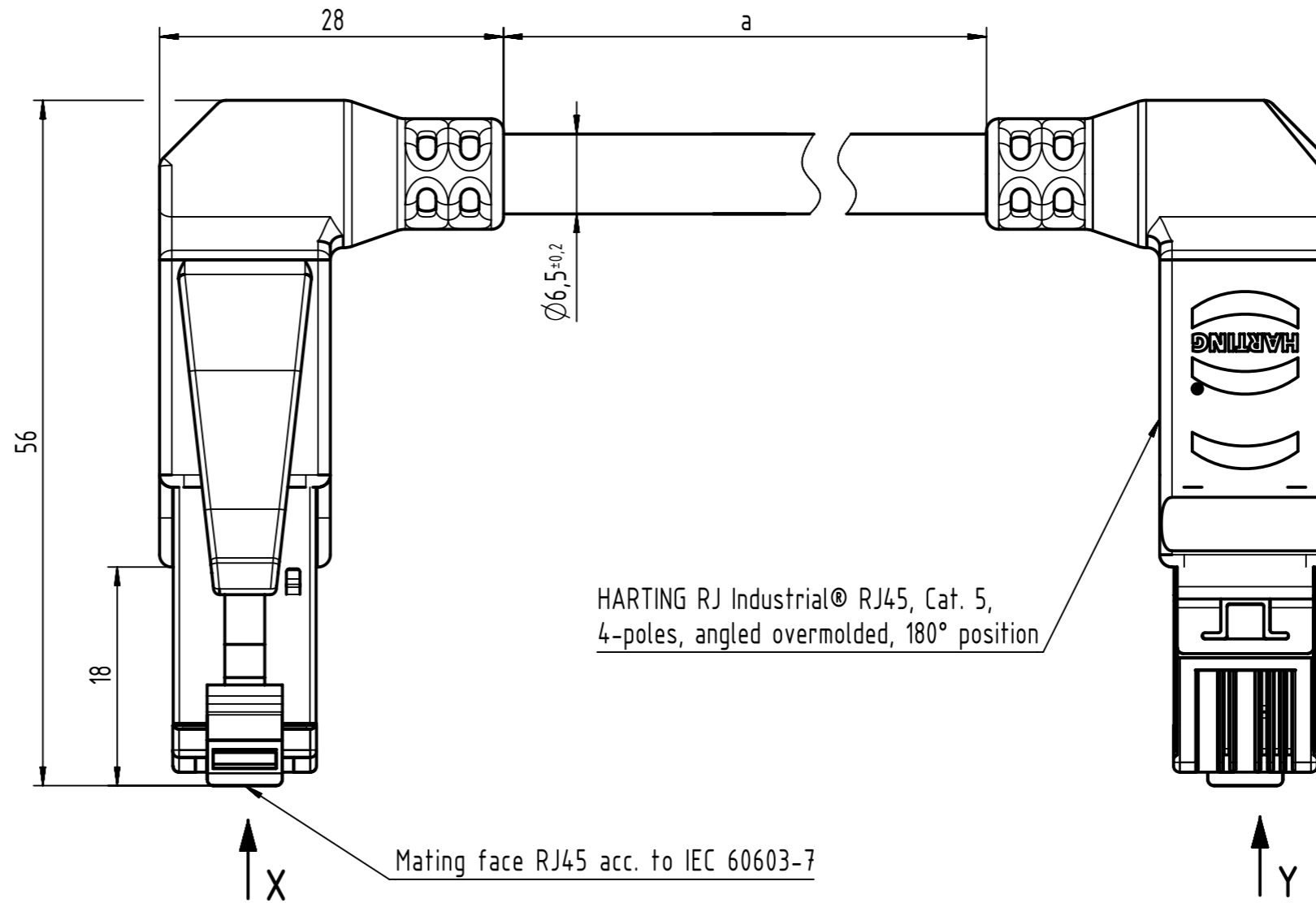
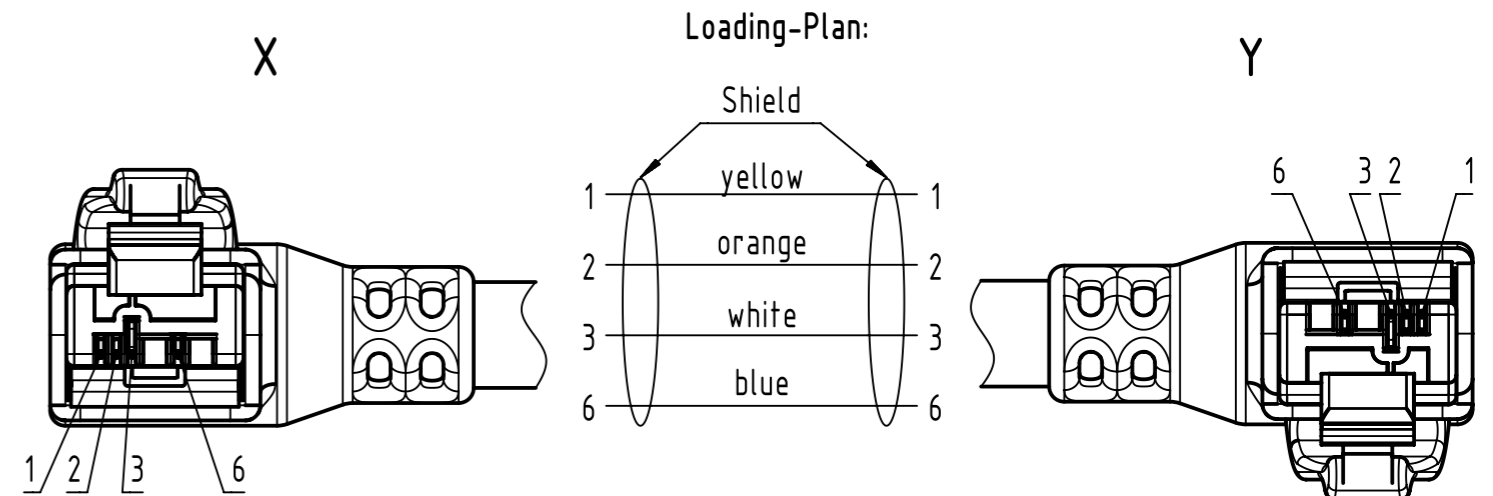



- Transmission properties in accordance with ISO/IEC 11801: Class D
- Protection level: IP67/65
- Temperature range: -40°C ... +70°C



D	15	09470505015	4x22AWG1, solid, PVC, type A Cat. 5	30
	14	09470505014		20
	13	09470505013		15
	12	09470505012		10
	11	09470505011		9
	10	09470505010		8
	9	09470505009		7
E	8	09470505008		6
	7	09470505007		5
	6	09470505006		4
	5	09470505005		3
	4	09470505004		2
	3	09470505003		1.5
	2	09470505002		1
F	1	09470505001		0.5
	Cont. no.	Part no.	Type of cable	Dim. a[m]



	All rights reserved		Created by TOMUTA		Inspected by AVRAM		Standardisation HOFFMANN		Date 2013-12-19		State Final Release	
	Department EC PD - RO		Title RJ Industrial Cable Assembly		Doc-Key / ECM-Nr. 100155464/UGD/004/A 50000069783		Rev. A		Page 1/2			
HARTING Electronics GmbH D-32339 Espelkamp		Type TB		Number 094705050XX								

1	2	3	4	5	6	7	8
59	09470505059	4x22AWG7, trailing, PUR, type C Cat. 5	30	88	09470505088	4x22AWG7, stranded, outdoor, PVC, Cat. 5	100
58	09470505058		20	87	09470505087		90
57	09470505057		15	86	09470505086		80
56	09470505056		10	85	09470505085		70
55	09470505055		9	84	09470505084		60
54	09470505054		8	83	09470505083		50
53	09470505053		7	82	09470505082		40
52	09470505052		6	81	09470505081		30
51	09470505051		5	80	09470505080		20
50	09470505050		4	79	09470505079		15
49	09470505049		3	78	09470505078		10
48	09470505048		2	77	09470505077		9
47	09470505047		1.5	76	09470505076		8
46	09470505046		1	75	09470505075		7
45	09470505045	0.5	74	09470505074	6		
44	09470505044	4x22AWG7, stranded, PVC, type B Cat. 5	100	73	09470505073	5	
43	09470505043		90	72	09470505072	4	
42	09470505042		80	71	09470505071	3	
41	09470505041		70	70	09470505070	2	
40	09470505040		60	69	09470505069	1.5	
39	09470505039		50	68	09470505068	1	
38	09470505038		40	67	09470505067	0.5	
37	09470505037		30	66	09470505066	100	
36	09470505036		20	65	09470505065	90	
35	09470505035		15	64	09470505064	80	
34	09470505034		10	63	09470505063	70	
33	09470505033		9	62	09470505062	60	
32	09470505032		8	61	09470505061	50	
31	09470505031		7	60	09470505060	40	
30	09470505030	6	Cont. no.	Part no.	Type of cable	Dim. a[m]	
29	09470505029	5	4x22AWG7, trailing, PUR, type C Cat. 5				
28	09470505028	4					
27	09470505027	3					
26	09470505026	2					
25	09470505025	1.5					
24	09470505024	1					
23	09470505023	0.5					
22	09470505022	100					
21	09470505021	90					
20	09470505020	80					
19	09470505019	70					
18	09470505018	60					
17	09470505017	50					
16	09470505016	40					
Cont. no.	Part no.	Type of cable	Dim. a[m]				
				 All rights reserved Department EC PD - RO		All Dimensions in mm Original Size DIN A3	
				Created by TOMUTA Inspected by AVRAM Standardisation HOFFMANN		Date 2013-12-19 State Final Release	
				Title RJ Industrial Cable Assembly Type TB Number 094705050XX		Doc-Key / ECM-Nr. 100155464/UGD/004/A 50000069783	
				HARTING Electronics GmbH D-32339 Espelkamp		Rev. A Page 2/2	