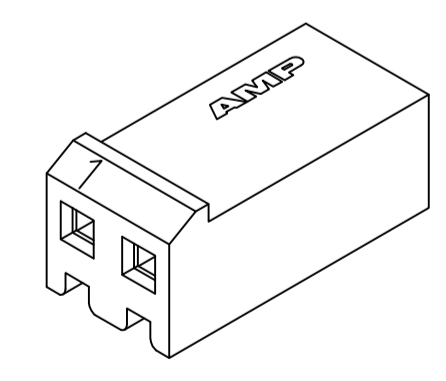
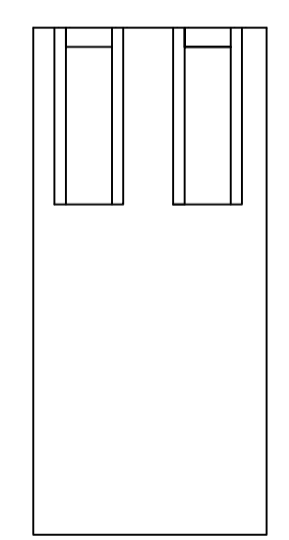
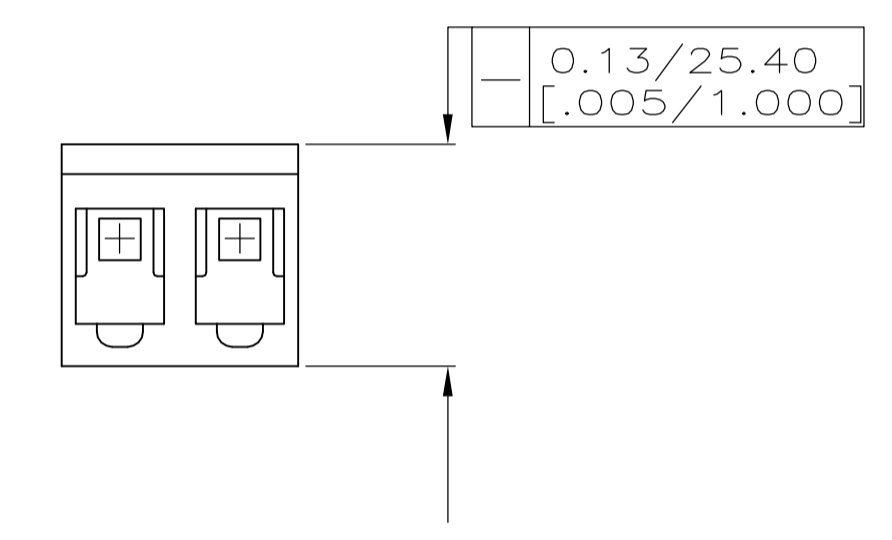
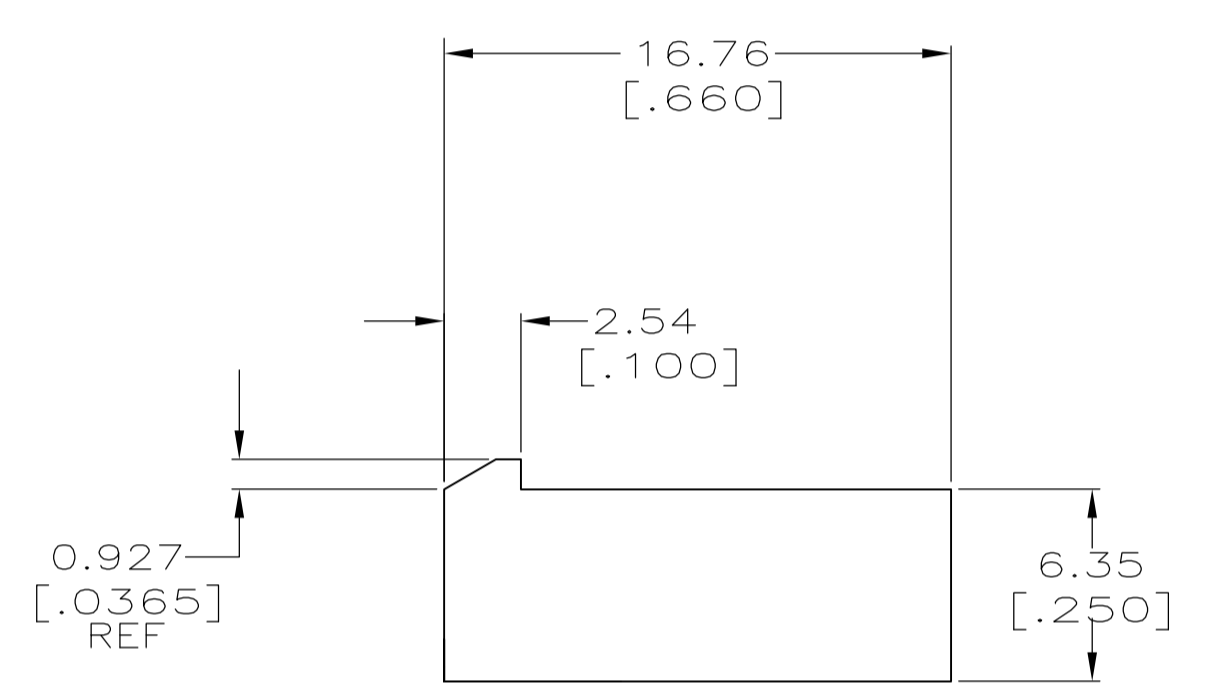
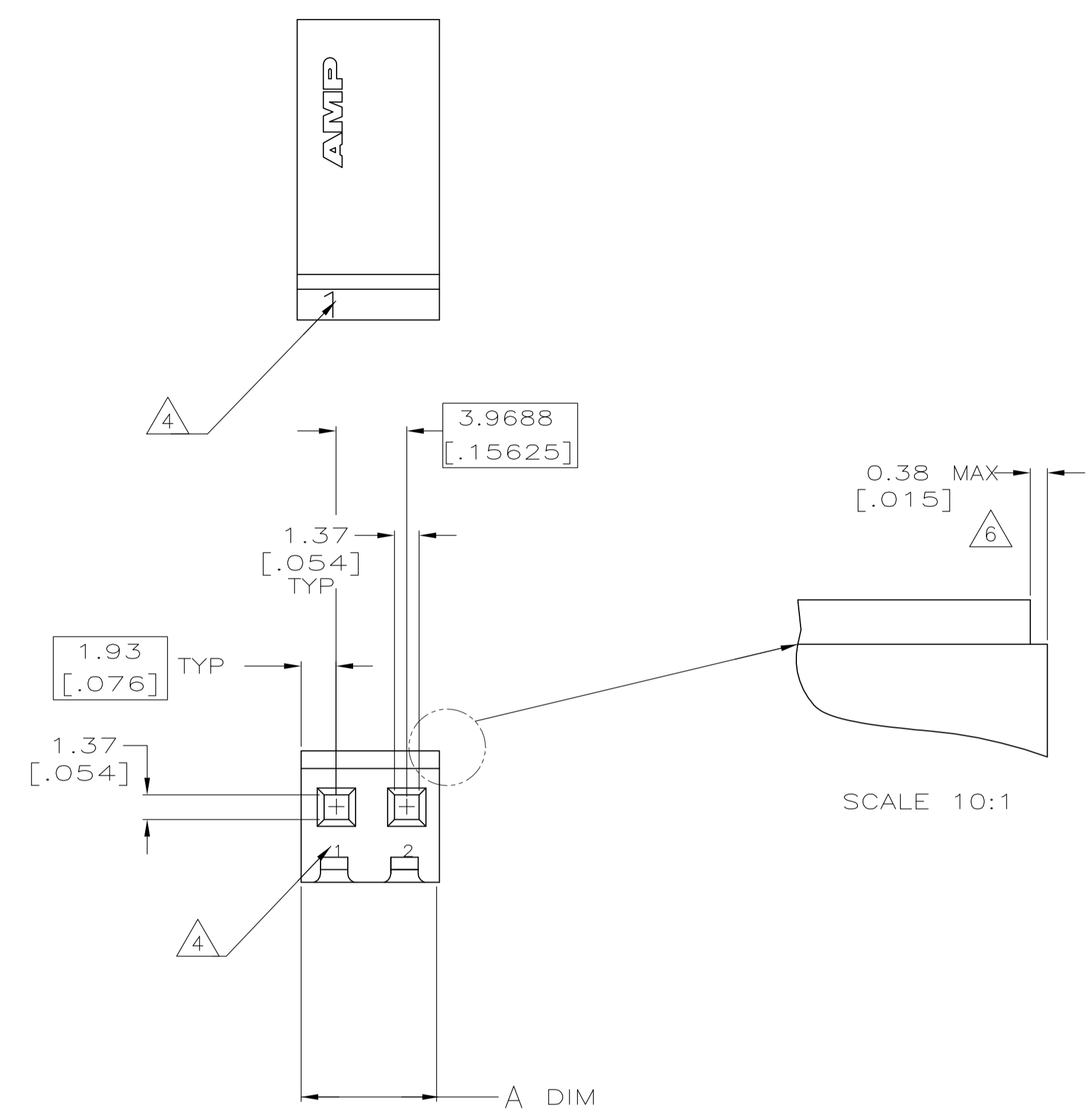


LOC		DIST		REVISIONS			
P	LTR	DESCRIPTION	DATE	DMN	APVD		
E		REVISED PER ECR-13-018617	18DEC2013	KH	TM		

- 1 UNIT ACCEPTS 1.14 [.045] SQUARE OR ROUND POST.
- 2 UNIT ACCEPTS STANDARD SL-156 CONTACTS.
- 3 UNIT ACCEPTS KEYING PLUG 640254-1 AND KEYING PIN 640255-1.
- 4 CIRCUIT I.D. NUMBER(S), TO BE LOCATED SEQUENTIALLY AS SHOWN OR ONLY NO.1 CIRCUIT PLACED ON LOCKING RAMP.
- 5 DIMENSIONS IN BRACKETS ARE IN INCHES.
- 6 OPTIONAL CONSTRUCTION (BOTH CORNERS).



3-DIMENSIONAL MODEL NTS

7.82	[.308]	2	644267-2
$A \pm 0.25$ [.010]		NO. OF CIRCUITS	PART NUMBER

THIS DRAWING IS A CONTROLLED DOCUMENT.		DIN B LEWIS 7-29-92		TE Connectivity	
DIMENSIONS: mm [INCHES]		CIRK R SWING 7-29-92		NAME	
TOLERANCES UNLESS OTHERWISE SPECIFIED:		APVD F BEILES 9-28-92		HOUSING WITH LOCKING RAMP, YELLOW, SL-156	
0 PLC ± -		APPLICATION SPEC		SIZE CAGE CODE DRAWING NO	
1 PLC ± -		WEIGHT		A1 00779 C=644267	
2 PLC ± -		CUSTOMER DRAWING		SCALE 4:1 SHEET 1 OF 1 REV E	
3 PLC ± 0.13 [.005]					
4 PLC ± -					
ANGLES ± 0°30'					
MATERIAL NYLON, UL 94V-0 YELLOW					
FINISH -					