

# IWR-1

## Single Channel Wireless Receiver



- Pairs with the IWPT wireless pressure transducer
- User-selectable 1-5V or 4-20mA receiver output
- Clean contact output for process, low battery or loss of signal alarm function
- Simple DIL switch pairing with the IWPT pressure transducer
- Up to 750m range, line-of-sight
- 12 to 32 Vdc powered
- End-to-end accuracy of  $\pm 0.25\%$  FS BFSL
- LED indication of wireless link
- DIN rail or wall mounting kits available
- Five channel receiver available - see data sheet IWR-5

### Description

The IWR-1 is a single channel receiver designed to pair with the IWPT series of wireless pressure transducers to form a cost effective replacement of the traditional wired pressure transducer. This offers a low cost solution to inaccessible or expensive installation environment. The receiver has a user selectable voltage or mA output corresponding to the calibrated pressure range of the remote Wireless Pressure Transducer and 5A rated changeover contacts for alarm functionality. User configuration is possible, however the single channel transmitter/receiver combination is designed to work 'out of the box' offering a simple plug and play solution to pressure measurement applications. With the standard 0dBi antenna, a line-of-sight range of up to 500m can be achieved and, using the optional 3dBi antenna, up to 750m (LOS) is achievable.

### Electrical Protection

Outputs	User selectable 1-5V or 4-20mA
Alarm Output	5 Amp rated changeover contacts
Receiver Update Rate*	10 seconds as standard. Alternative user settable rates : - 1, 5, 10 and 30 seconds

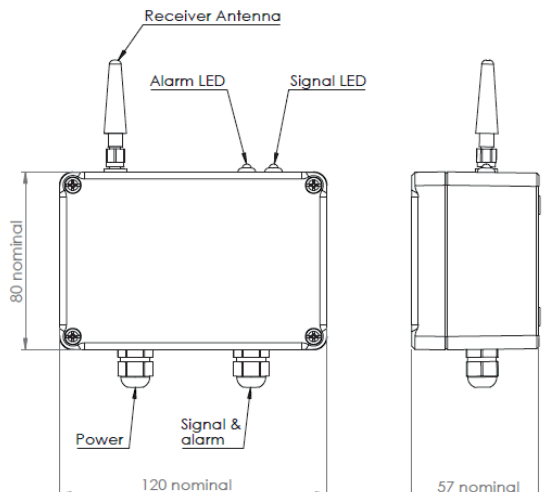
\*Consult IWPT Installation manual and data sheet for set-up of alternative transmission rates.

### Enclosure Specifications

Dimensions	120 mm x 80 mm x 57 mm
Material*	Light grey ABS (RAL7035)
Protection Class	IP65
Weight	215g inc. 0dBi antenna (+12g with 3dBi)
Installation Position**	Any

\* Other materials on request

\*\* Consult Installation Manual to ensure adequate signal path between transmitter and receiver



### Receiver Input

Receiver Frequency*	2.4GHz
System Channel	Standard setting, however user adjustable in multiple instrument systems.
Antenna	Enclosure mounted 0dBi

\*Compliant with EN 300 328, V1.8.1

### System Performance (@ +20°C)

Accuracy	$\leq \pm 0.25\%$ FS BFSL
Setting Errors (offsets)*	Zero and Full Scale $\leq \pm 0.5\%$ FS

\* End-to-end zero tare function available, see user manual.

### Instrument Power Source

DC Power	12 to 32Vdc
----------	-------------

### Temperature Ratings

Operating Temperature	-10°C to +50°C
Storage Temperature	-20°C to +80°C

### Ordering Codes

Pressure Transducer:	See IWPT & IWPTL datasheets
Single Channel Receiver:	IWR-1
Five Channel Receiver:	IWR-5
Five Channel Configuration Software*	IWR-Set
3dBi Antenna (enclosure mount)	IANT-3



Cynergy3 Components Ltd.  
7 Cobham Road  
Ferndown Industrial Estate  
Wimborne, Dorset BH21 7PE  
Telephone +44 (0) 1202 897969  
Email:sales@cynergy3.com