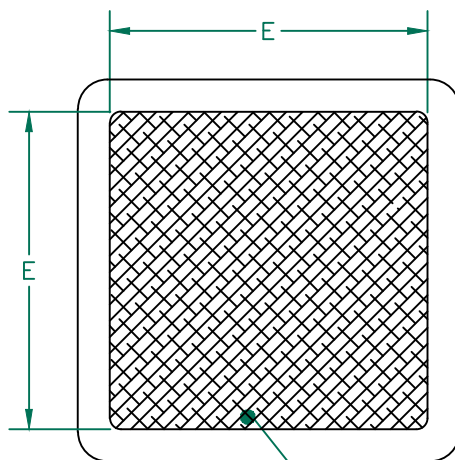


R 2.00 [.080]
4 PLCS



UNCONTROLLED DOCUMENT

NOTES:

1. CORE: MP1040-2B0.
2. ADHESIVE: P/N 21228
3. REFERENCE 3M TAPE 468MP ADHESIVE TRANSFER TAPE OR ENGINEER APPROVED ALTERNATIVE.
4. COSMETIC SPECIFICATION REFER TO WI-QA-038.

DIMENSIONS

A	26.42 [1.040]	±	0.38 [.015]
B	26.42 [1.040]	±	0.38 [.015]
C	1.91 [.075]	±	0.13 [.005]
D	0.13 [.005]	TYP.	
E	21.97 [.865]	TYP.	

ROHS

WEIGHT/1000 6.55 kgs [14.43 Lbs]

DIMENSIONS ARE IN mm [INCHES].				This print is the property of Laird Tech. and is loaned in confidence subject to return upon request and with the understanding that no copies shall be made without the written consent of Laird Tech. All rights to design or invention are reserved.		Laird	
J	UPDATE THE LOGO	06/19/15	QIU	PROJECT/PART NUMBER:	REV	PART TYPE:	DRAWN BY:
H	CHANGE D DIMENSION	07/09/09	JRK	MP1040-200	J	FERRITE PLATE	DTR
G	REMOVE PULLTAB REVISE NOTE #3	06/12/09	JRK	DATE:	SCALE:	MATERIAL:	
F	UPDATE COMPANY LOGO AND NOTE #3	12/11/08	JRK	02/12/98	2 : 1	Ferrite	
E	COR. P/N IN 1:1 REV C DIM & TOLERANCE	01/23/06	JRK	CAD #	TOOL #		
D	STANDARDIZE PRINT FORMAT(SEE COVER SHT)	09/22/05	JRK	MP1040-200-J	P1040		
REV	DESCRIPTION	DATE	INT				