

ELECTRO-OPTICAL CHARACTERISTICS $T_A=25^{\circ}\text{C}$ $I_f=500\text{mA}$

PARAMETER	MIN	TYP	MAX	UNITS	TEST COND
PEAK WAVELENGTH		598		nm	
FORWARD VOLTAGE	2.0	2.5	3.1	V_f	$I_f=500\text{mA}$
REVERSE VOLTAGE	5.0			V_r	$I_r=100\mu\text{A}$
AXIAL INTENSITY	42	58		lm	$I_f=500\text{mA}$
VIEWING ANGLE		100		$2x$ theta	
EMITTED COLOR:	YELLOW				
EPOXY LENS FINISH:	WATER CLEAR				

LIMITS OF SAFE OPERATION AT 25°C

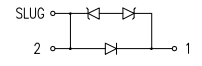
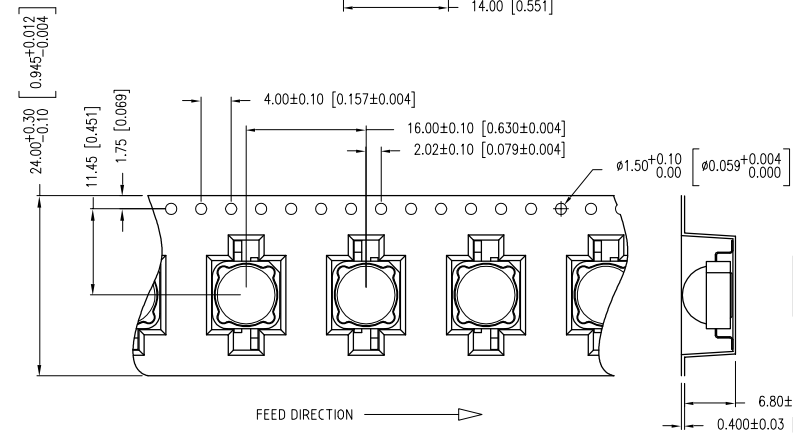
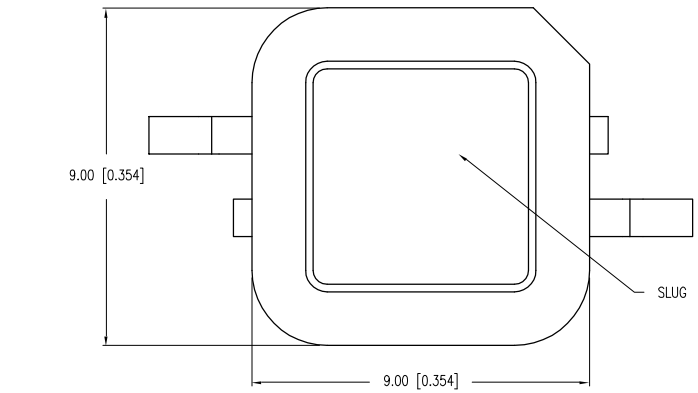
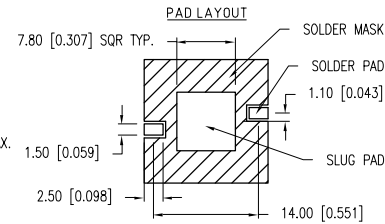
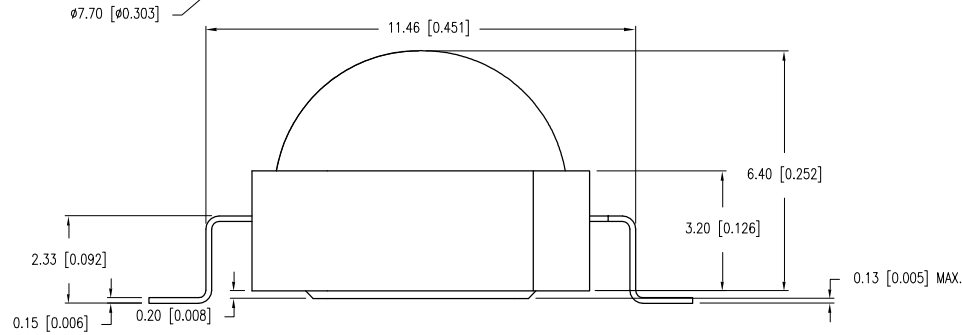
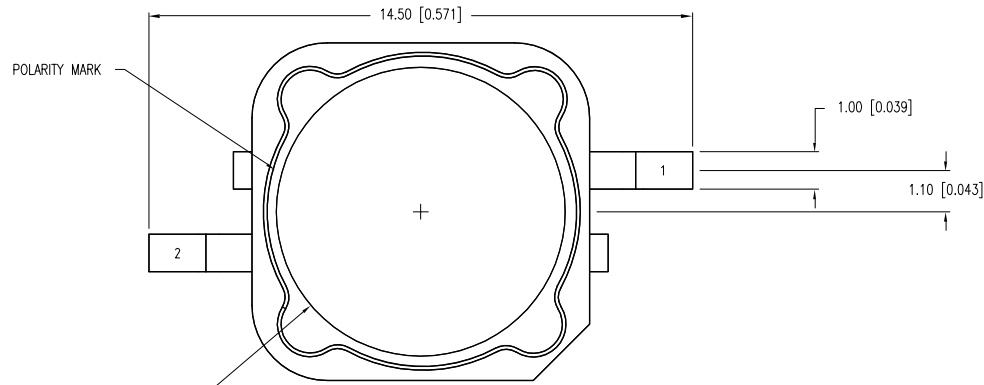
PARAMETER	MAX	UNITS
PEAK FORWARD CURRENT*	700	mA
STEADY CURRENT**	500	mA
LED JUNCTION TEMPERATURE	110	$^{\circ}\text{C}$
POWER DISSIPATION	1.55	W
THERMAL RESISTANCE	12	$^{\circ}\text{C}/\text{W}$
ELECTROSTATIC DISCHARGE TRESHOLD	8000	V
OPERATING, STORAGE TEMP.	-40 TO +100	$^{\circ}\text{C}$
IRON SOLDERING	350	$^{\circ}\text{C}$
SOLDERING TIME	3	SEC

* $T < 10\mu\text{s}$

** WHEN MOUNTING ON MCPCB

NOTES:

1. NOT REFLOW SOLDERING COMPATIBLE.



CAUTION: STATIC SENSITIVE DEVICE
FOLLOW PROPER E.S.D. HANDLING PROCEDURES
WHEN WORKING WITH THIS PART.

*UNLESS OTHERWISE SPECIFIED TOLERANCES PER DECIMAL PRECISION ARE: X=±1 (±0.039), X.X=±0.5 (±0.020), X.XX=±0.25 (±0.010), X.XXX=±0.127 (±0.005). LEAD SIZE=±0.05 (±0.002), LEAD LENGTH=±0.75 (±0.030). MIN.= +DECIMAL PRECISION -0.00, MAX.= +0.00 -DECIMAL PRECISION



290 E. HELEN ROAD
PALATINE, IL 60067-6976
PHONE: +1.847.359.2790
FAX: +1.847.359.6538
WEB: WWW.LUMEX.COM

7.7mm DIA TOP DOME SMT LED HIGH POWER YELLOW 2W.

THE SPECIFICATIONS MAY CHANGE AT ANY TIME WITHOUT NOTICE DUE TO NEW MATERIALS OR PRODUCT IMPROVEMENT.

CONFIDENTIAL INFORMATION
THE INFORMATION CONTAINED IN THIS DOCUMENT IS THE PROPERTY OF LUMEX INC. EXCEPT AS SPECIFICALLY AUTHORIZED IN WRITING BY LUMEX INC., THE HOLDER OF THIS DOCUMENT SHALL KEEP ALL INFORMATION CONTAINED HEREIN CONFIDENTIAL AND SHALL PROTECT SAME IN WHOLE OR IN PART FROM DISCLOSURE AND DISSEMINATION TO ALL THIRD PARTIES.

DATE:	06.28.10	DRAWN BY:	JN
PAGE:	1 OF 1	CHKD BY:	SS
SCALE:	N/A	APRVD BY:	KF
UNIT:	mm [INCH]		(R)