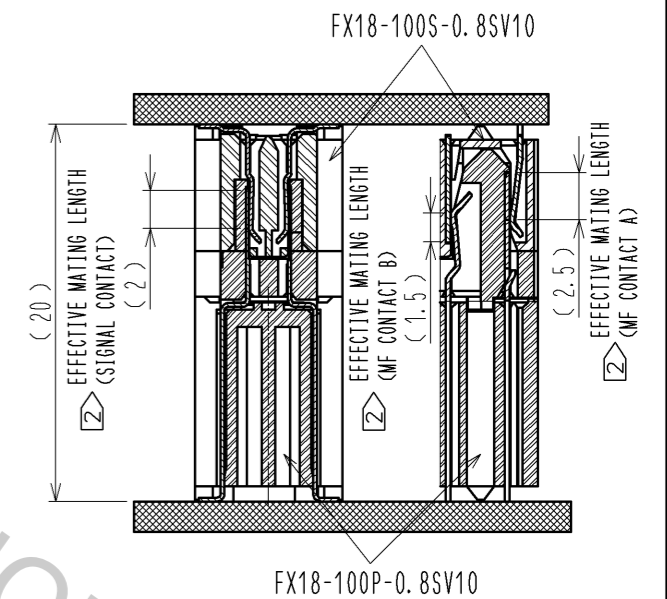
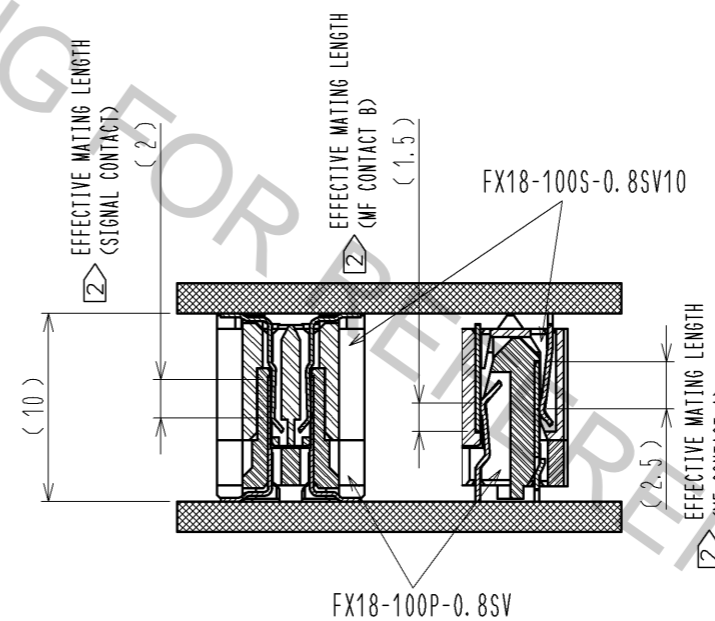


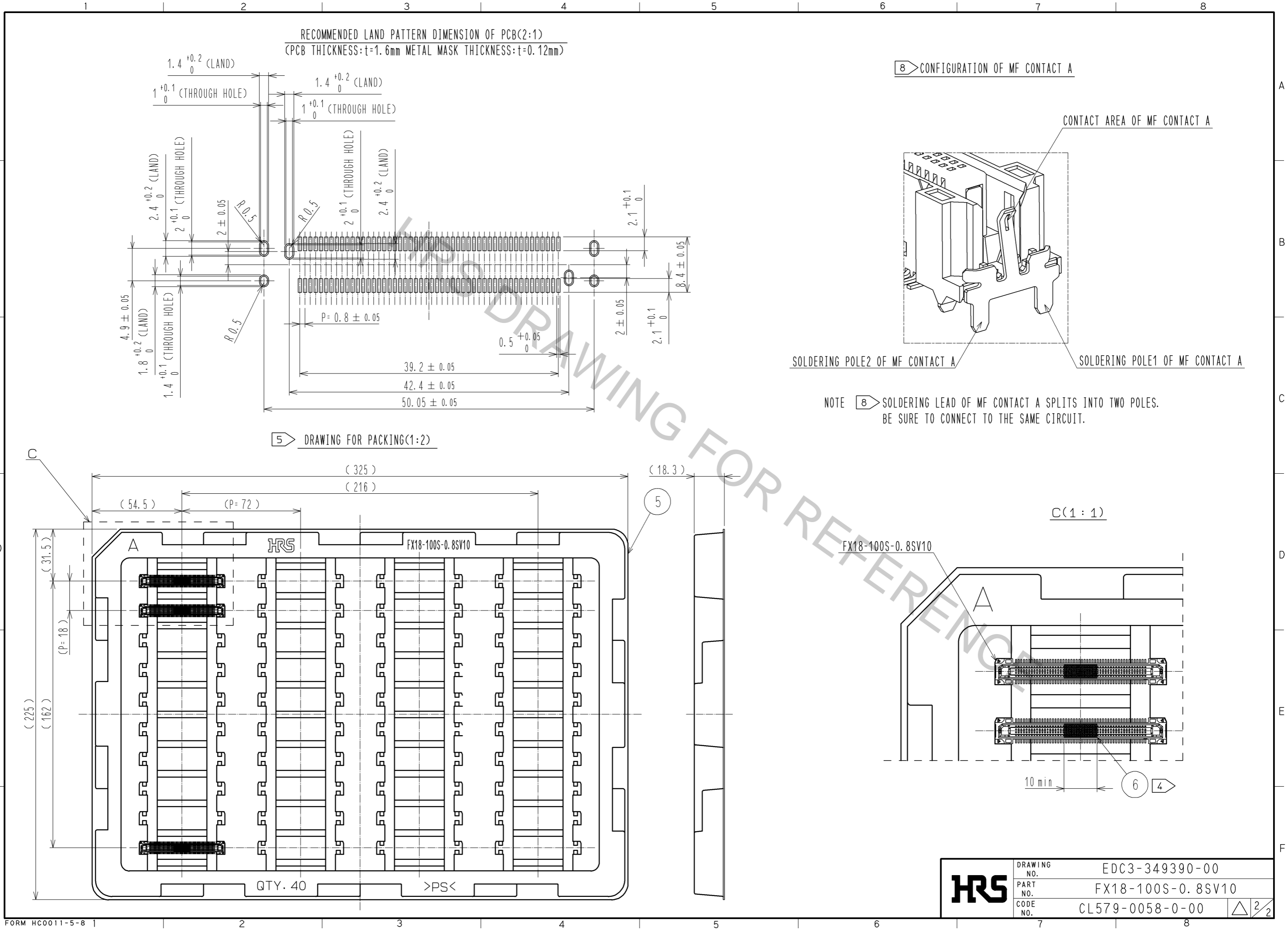
CROSS SECTION OF MATING(FREE)
STACKING HEIGHT=10mm

CROSS SECTION OF MATING(FREE)
STACKING HEIGHT=20mm



- NOTE 1 LEAD CO-PLANARITY IS 0.1mm MAX.
 2 CONTACTS ARE 3 STEPS SEQUENTIAL. (MF CONTACT A=>SIGNAL CONTACT=>MF CONTACT B) WHEN USING THIS SEQUENTIAL STRUCTURE, PLEASE AVOID ANGLED INSERTION.
 3 MF CONTACT A AND MF CONTACT B CAN BE USED AS POWER SUPPLY CONTACT. (3A/PIN MAX)
 4 IT SHOWS THE VACUUM PICKUP AREA. (SEE PAGE 2) REMOVE THE MYLAR TAPE BEFORE MATING CONNECTORS.
 5 THIS IS PACKAGED IN TRAY. (40pcs/TRAY)
 6 BLEMISH AND HIT MARK CAN BE OCCURED THROUGH OUT THE MANUFACTURING PROCESS WHICH DOESN' T AFFECT QUALITY LEVEL.
 7 THE DIMENSIONS IN PARENTHESES ARE FOR REFERENCES.

6	POLYIMIDE						
5	POLYSTYRENE						
4	COPPER ALLOY	CONTACT AREA:GOLD 0.1 μm LEAD AREA:TIN-PLATING 1 μm UNDER PLATING:NICKEL 1.3 μm					
3	COPPER ALLOY	CONTACT AREA:GOLD 0.1 μm LEAD AREA:TIN-PLATING 1 μm UNDER PLATING:NICKEL 1.3 μm					
2	COPPER ALLOY	CONTACT AREA:GOLD 0.1 μm LEAD AREA:GOLD 0.03 μm UNDER PLATING:NICKEL 1.3 μm					
1	POLYAMIDE	BLACK UL94V-0					
NO.	MATERIAL	FINISH	REMARKS	NO.	MATERIAL	FINISH	REMARKS
UNITS		SCALE		COUNT		DESCRIPTION OF REVISIONS	
mm		2 : 1		△		DESIGNED	
						CHECKED	
						DATE	
HRS HIROSE ELECTRIC CO., LTD.		APPROVED : HS. OKAWA		14.07.16		DRAWING NO. EDC3-349390-00	
		CHECKED : HT. YAMAGUCHI		14.07.15		PART NO. FX18-100S-0.8SV10	
		DESIGNED : TH. SANO		14.07.15		CODE NO. CL579-0058-0-00	
		DRAWN : TH. SANO		14.07.15		△ 1/2	



HRS	DRAWING NO.	EDC3-349390-00	△ 2/2
	PART NO.	FX18-100S-0.8SV10	
	CODE NO.	CL579-0058-0-00	