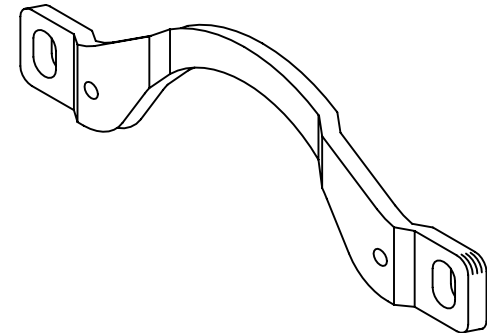
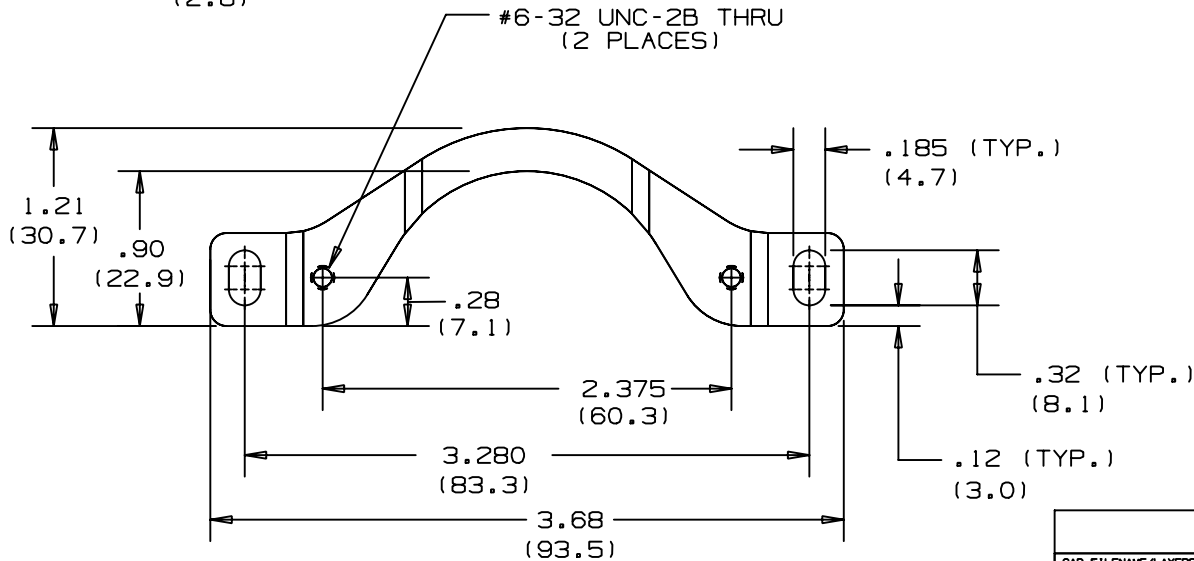
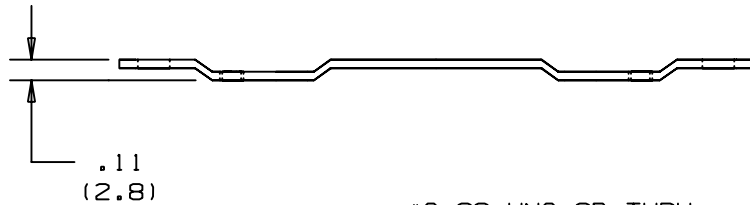


THIS COPY IS PROVIDED ON A RESTRICTED BASIS AND IS NOT TO BE USED IN ANY WAY DETRIMENTAL TO THE INTERESTS OF PANDUIT CORP.

NOTES:

- SEE CURRENT PRICE SHEET FOR PART NUMBER SUFFIX DESIGNATION FOR PACKAGE SIZE.

PANDUIT PART NUMBER	2 SCREW FASTENERS PROVIDED FOR MOUNTING JBA.	WEIGHT lb/100 pcs. (g/100 pcs.)
JBA	#6-32 x .88 LONG SELF TAPPING F.H.M.S.	1.76 (800)



WBUS-JBADAPTER	
CAD FILENAME/LAYERS DIMENSIONS IN PARENTHESIS ARE METRIC	
PANDUIT CORP. TINLEY PARK, ILLINOIS	
JUNCTION BOX ADAPTER (JBA)	
UNLESS OTHERWISE SPECIFIED, DIMENSIONAL TOLERANCES ARE: (.X) ± .03 (.8) (.XXX) ± .01 (.2) ANGLES ±	UNLESS OTHERWISE SPECIFIED, ALL DIMENSIONS ARE GIVEN IN INCHES, THIRD ANGLE PROJECTION.
DRAWN BY LDB	MAT'L: 20 GAGE (.040") GALVANIZED STEEL
DATE 7-23-86	SCALE FULL
CHK'D WJB	DRAWING NO. 34018-8
	DWG SIZE A

REV	DATE	BY	CHK	DESCRIPTION	ECN	R	CUST	SUP
R	7-23-86	LDB	WJB	RELEASED TO PRODUCTION	34018-8	R	WJB	