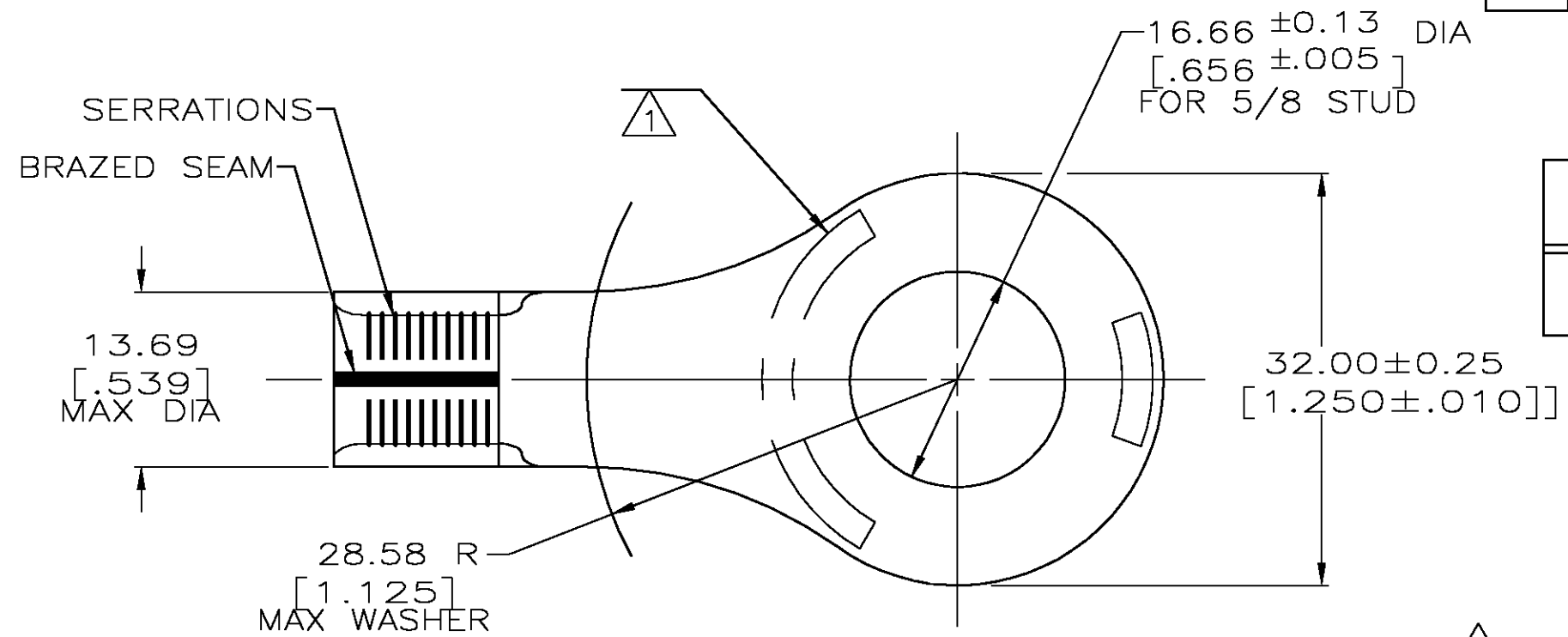


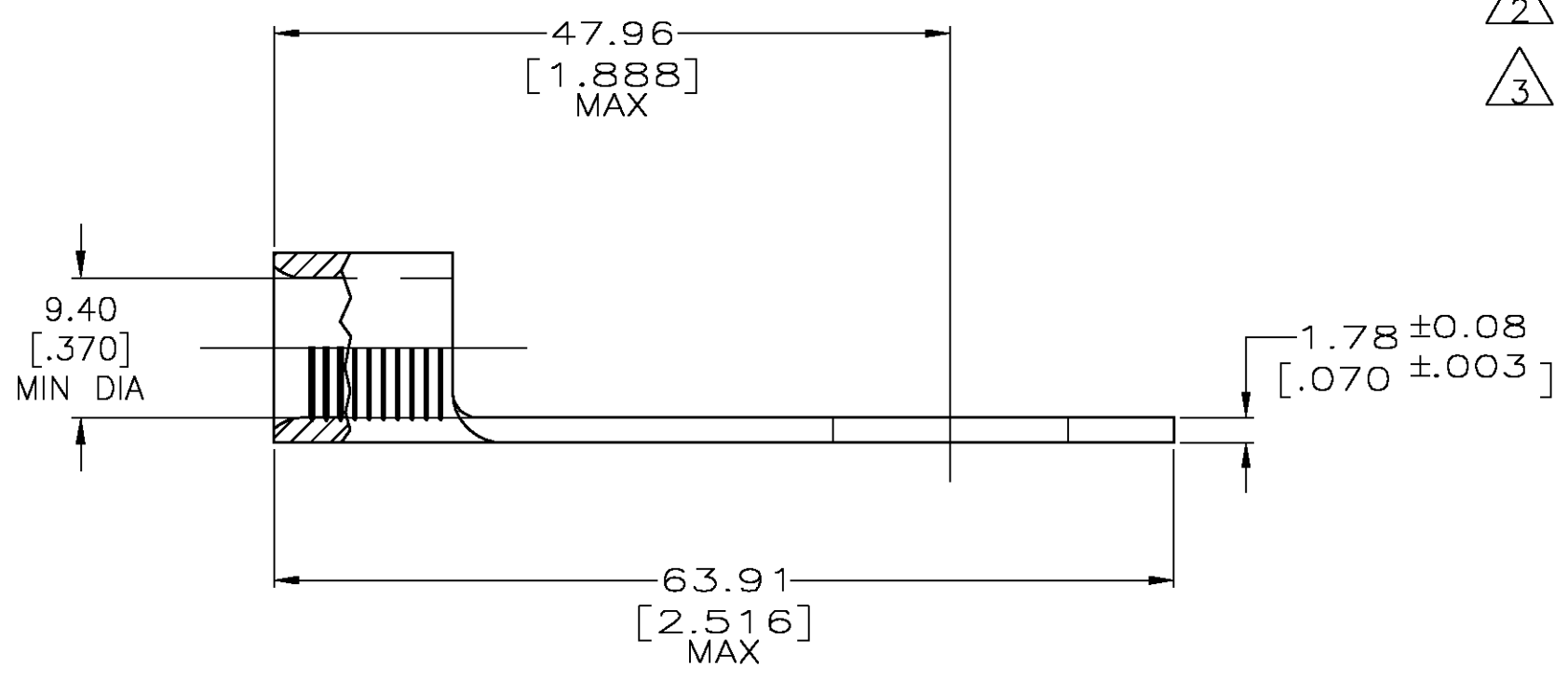
THIS DRAWING IS UNPUBLISHED. RELEASED FOR PUBLICATION
 © COPYRIGHT - BY TYCO ELECTRONICS CORPORATION. ALL RIGHTS RESERVED.

LOC	DIST	REVISIONS					
G	14	P	LTR	DESCRIPTION	DATE	DWN	APVD
		C		REV PER 0G3A-0435-04	10JUN04	JR	MJS



AMP WIRE RANGE	Listed FILE E13288	LR7189 Certified
2 AWG SOLID OR STRANDED	2 AWG STRANDED	2 AWG SOLID OR STRANDED

- △1 STAMP AMP 2W* 60-75 APPROX AS SHOWN
- △2 COPPER PER ASTM B-152, ANNEALED
- △3 0.00254 [.000100] MIN TIN PER ASTM B-545



320754
AMP
PART NUMBER

AMP INCORPORATED CUSTOMER SERVICE SYSTEMS

FOR ADDITIONAL PRODUCT INFORMATION OR COPIES OF DRAWINGS AND TECHNICAL DOCUMENTS	PRODUCT INFORMATION CENTER 1-800-522-6752	RECOMMENDED OPERATING TEMPERATURE: 170° C MAX
FOR APPLICATION TOOLING INFORMATION	TOOLING ASSISTANCE CENTER 1-800-722-1111	VOLTAGE RATING: NOT APPLICABLE
FOR ORDER ENTRY	1-800-526-5142	WIRE CROSS SECTIONAL AREA RANGE: 26.7-42.4mm ² [52,600-83,700] CIR MILS STRANDED

THIS DRAWING IS A CONTROLLED DOCUMENT.

DIMENSIONS: mm [INCHES]	TOLERANCES UNLESS OTHERWISE SPECIFIED:
	0 PLC ± -
	1 PLC ± -
	2 PLC ± 0.20 [.008]
	3 PLC ± -
	4 PLC ± -
	ANGLES ± -
MATERIAL COPPER △2	FINISH TIN PLATE △3

DWN DK SCHRUM 21JUL97		Tyco Electronics Corporation Harrisburg, Pa 17105-3608		
CHK MJ SPICER 21JUL97		NAME TERMINAL, RING TONGUE, SOLISTRAND		
APVD JL MECKLEY 21JUL97		SIZE A3	CAGE CODE 00779	DRAWING NO C-320754
PRODUCT SPEC	APPLICATION SPEC	WEIGHT	RESTRICTED TO	
CUSTOMER DRAWING		SCALE 2:1	SHEET 1 OF 1	REV C