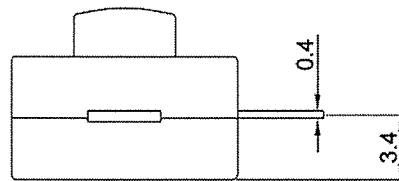
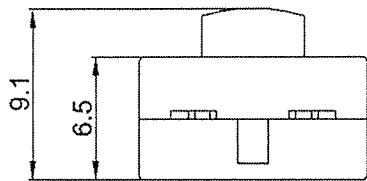
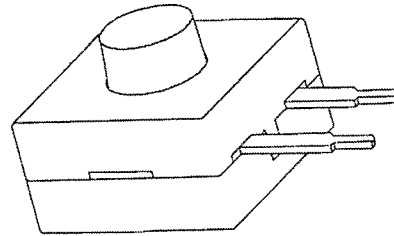
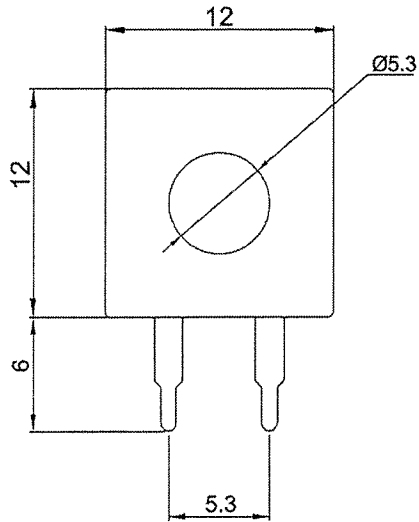


THIS INFORMATION IS CONFIDENTIAL AND PROPRIETARY TO CW INDUSTRIES INCORPORATED AND ITS AFFILIATES. IT MAY NOT BE DISCLOSED TO ANYONE, OTHER THAN CW INDUSTRIES PERSONNEL, WITHOUT WRITTEN AUTHORIZATION FROM CW INDUSTRIES INCORPORATED, SOUTHAMPTON, PENNSYLVANIA USA.



**SPECIFICATIONS:**

Rating: DC30V 1A ;  
 Contact resistance: 100m Ω (Max.) ;  
 Insulation resistance: DC500V 100M Ω (Min.) ;  
 Withstand voltage: AC 1000V for 1 minute ;  
 Operating force: 500±200gf ;  
**Operating Temp.:** -25° C ~ +65° C  
 Life cycle: 20,000 cycles ;  
 Total Travel: 1.5±0.3mm .

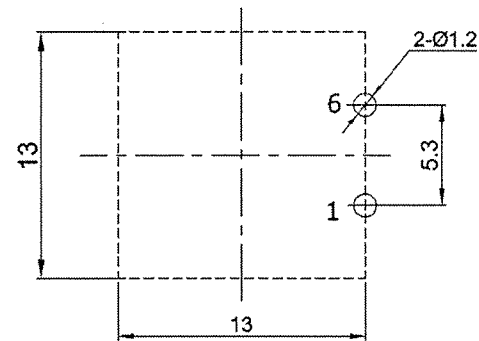
**MATERIAL:**

Frame: PBT,UL rated:94V-2 Min. ;  
 Cap: POM;  
 Terminal:Brass,Silver or Tin plated .

**Function:**

ON(1-6)-OFF

**Cap Color: Black**



P.C.B.LAYOUT(BottomView)

RoHS Compliant

**CW INDUSTRIES**  
 Southampton, Pa. 18966  
 Tel 215.355.7080/www.cwind.com

Date Drawn: 3-22-12

Rev. 2

Unit: mm

Checked By: *G. Gold*

2 | Added Operating Temp. 11-13-12.

Title:

**PUSH BUTTON SWITCH**

CW P/N:

**GPTS203212B**