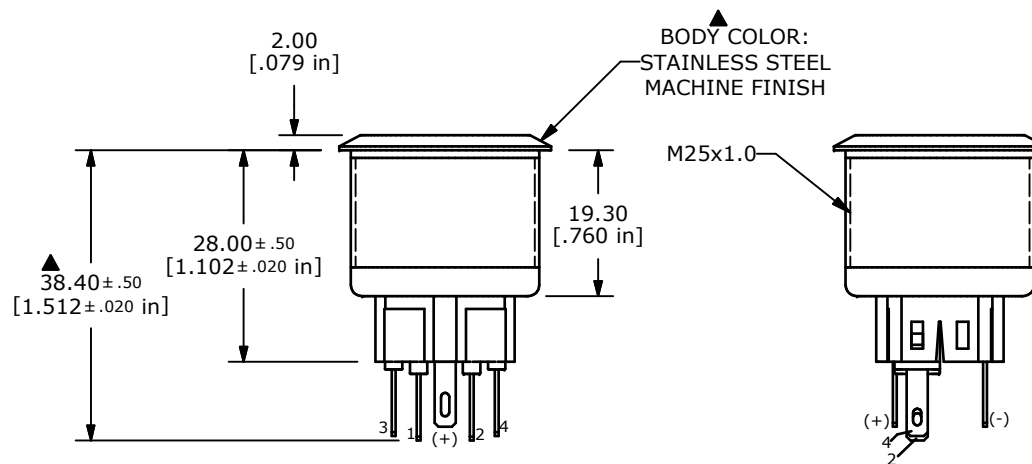
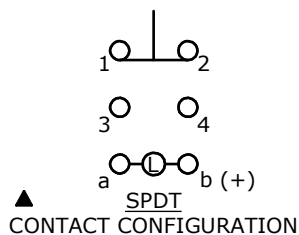
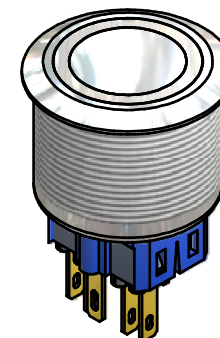
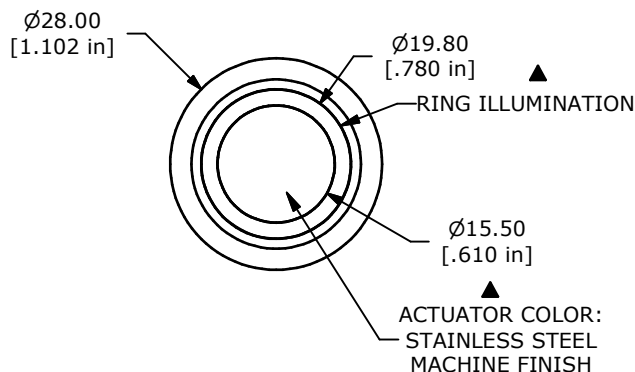


SWITCH FUNCTION ▲	
POS. 1	POS. 2 (MOM)
1-2	3-4

(ON) = MOMENTARY



- NOTE:
1. ALL DIMENSIONS IN MM [INCH]
 2. GENERAL TOLERANCE: X.X = ± 0.4
X.XX = ± 0.25
 3. TERMINAL NOS. FOR REF. ONLY
 - ▲ 4. FUNCTION: SPDT
 - ▲ 5. RATING: 2A @ 48VDC
 6. ILLUMINATION VOLTAGE: 12 V
 7. CONTACT RESISTANCE: 50mΩ MAX. @ 1A 12VDC
 8. INSULATION RESISTANCE: 1,000MΩ @ 500VDC
 9. DIELECTRIC STRENGTH: 2,000VAC MIN. FOR 1 MINUTE
 10. ELECTRICAL LIFE: 50,000 CYCLES
 11. OPERATING TEMPERATURE: -20°C TO 70°C
 12. INGRESS PROTECTION: IP65
 13. ▲ DENOTES CRITICAL PARAMETER
 13. 2011/65/EU (ROHS) COMPLIANT
 - ▲ 14. ILLUMINATION COLOR: ORANGE (FORWARD), GREEN (REVERSE)



TITLE PV8F2Y0SS-3K4

A	20810	RELEASE FOR PRODUCTION	10/8/12	EBP
REV	PCR NO	DESCRIPTION	DATE	BY

THE INFORMATION CONTAINED IN THIS DOCUMENT IS PROPRIETARY TO E-SWITCH AND IS NOT TO BE COPIED OR TRANSFERRED

SCALE	DATE	DR	DWG	REV
	10/8/2012	EBP	52-PV8F2Y0SS3K4	A