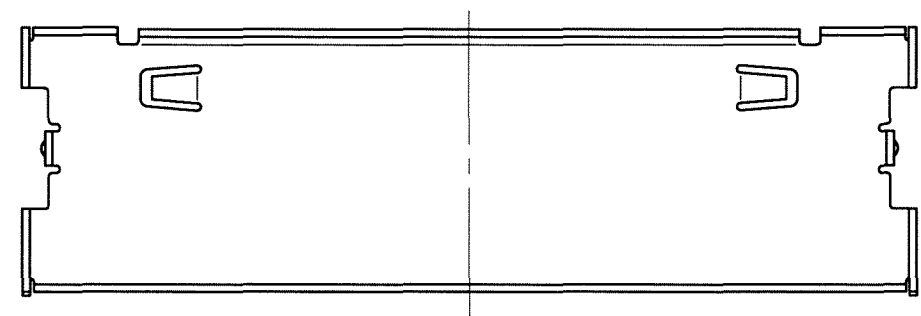
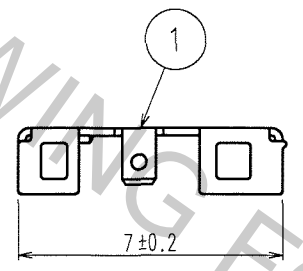
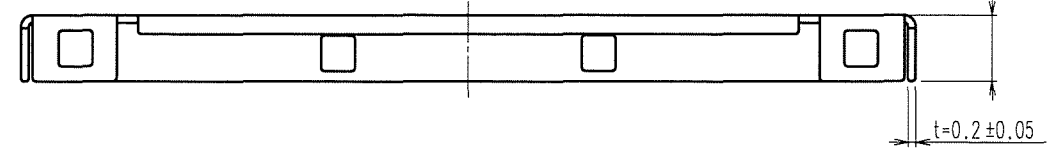
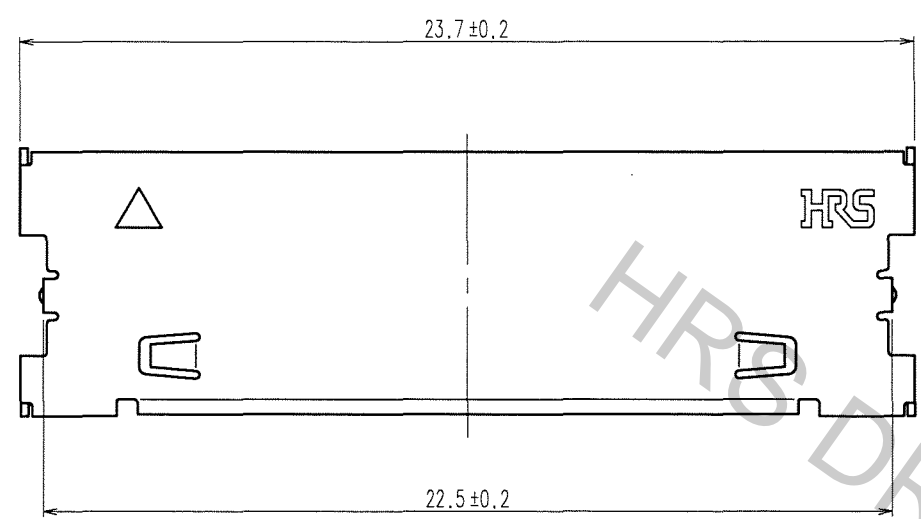
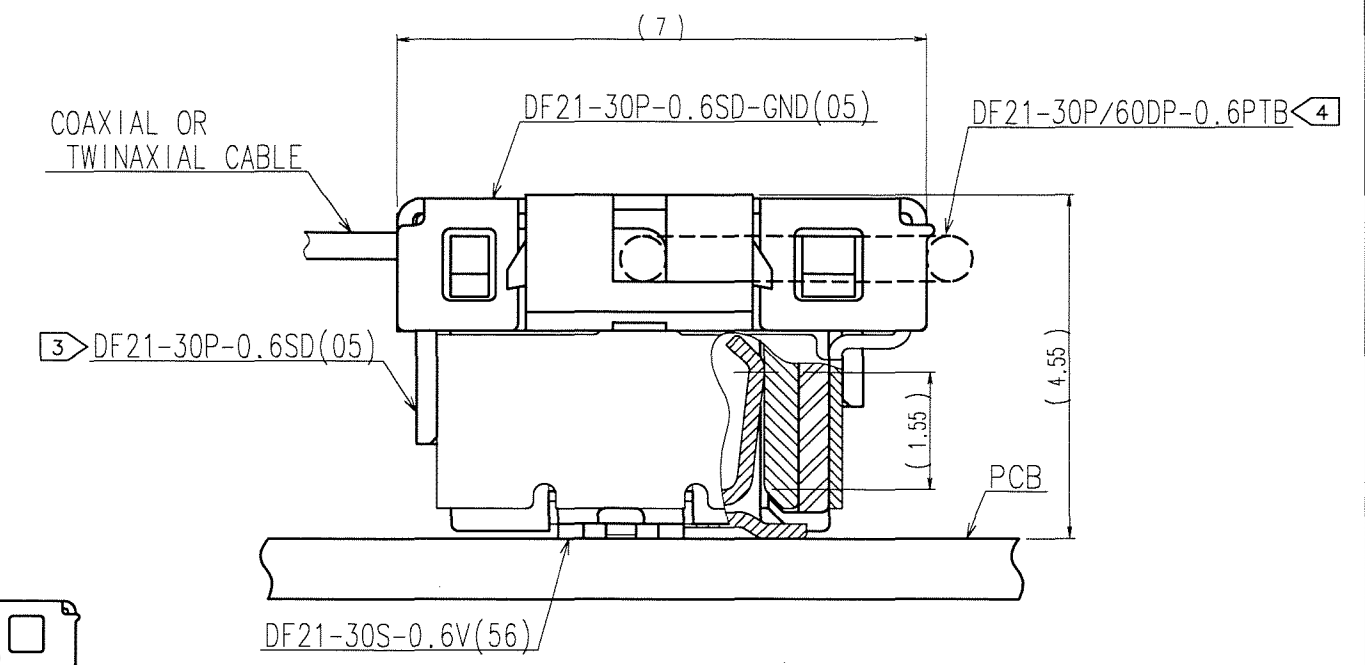


Apr.1.2017 Copyright 2017 HIROSE ELECTRIC CO., LTD. All Rights Reserved.

COUNT	DESCRIPTION OF REVISIONS	BY	CHKD	DATE	COUNT	DESCRIPTION OF REVISIONS	BY	CHKD	DATE
△				..	△				..
△				..	△				..
△				..	△				..



APPLICATION DIAGRAM(10:1)



- NOTES 1: MINIMUM ORDERING QUANTITY IS ONE PACKAGE.(CONTAINING 100 PCS)  
 2: TWINAXIAL CABLE CAN NOT BE USED BETWEEN 4 TO 5 POS, 8 TO 9 POS, 12 TO 13 POS, 18 TO 19 POS, 22 TO 23 POS, 26 TO 27 POS, WHERE MAIN PLUG HAS BOSS.  
 3: MAIN PLUG(DF21-30P-0.6SD(05)) SOLD SEPARATELY. INSTALL THIS SHELL AFTER CABLE ASSEMBLY.  
 4: PULL-TAB(DF21-30P/60DP-0.6PTB) OPTIONAL. SOLD SEPARATELY.

TO

NO. 1		MATERIAL STAINLESS STEEL		FINISH, REMARKS SURFACE:TIN-COPPER PLATED 1μm min UNDER PLATING:NICKEL PLATED 0.1μm min			
NO.	MATERIAL	FINISH, REMARKS		NO.	MATERIAL	FINISH, REMARKS	
CODE NO.(OLD) CL			DRAWN	DESIGNED	CHECKED	APPROVED	RELEASED
			A.Miura	T. Fukushima	H. Umehara	J. Ona	
			'07.04.19	07.04.23	07.04.24	07.04.24	..
DRAWING NO. EDC3-163696-02				PART NO. DF21-30P-0.6SD-GND(05)			
SCALE 5 : 1				CODE NO. CL687-2502-1-05			
UNITS mm				HRS HIROSE ELECTRIC CO., LTD			
				1/1			

INCW