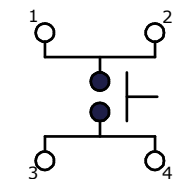
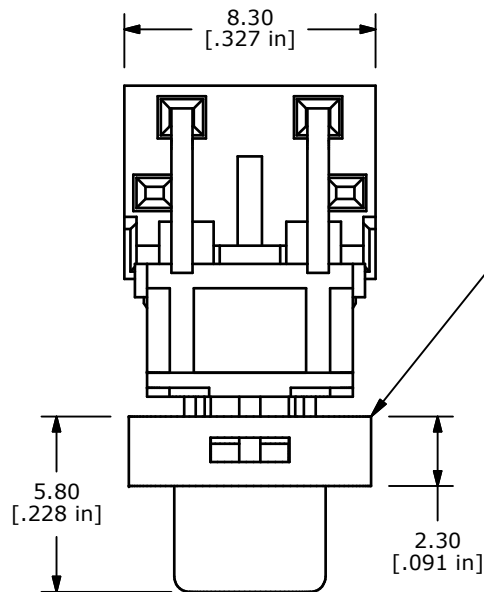


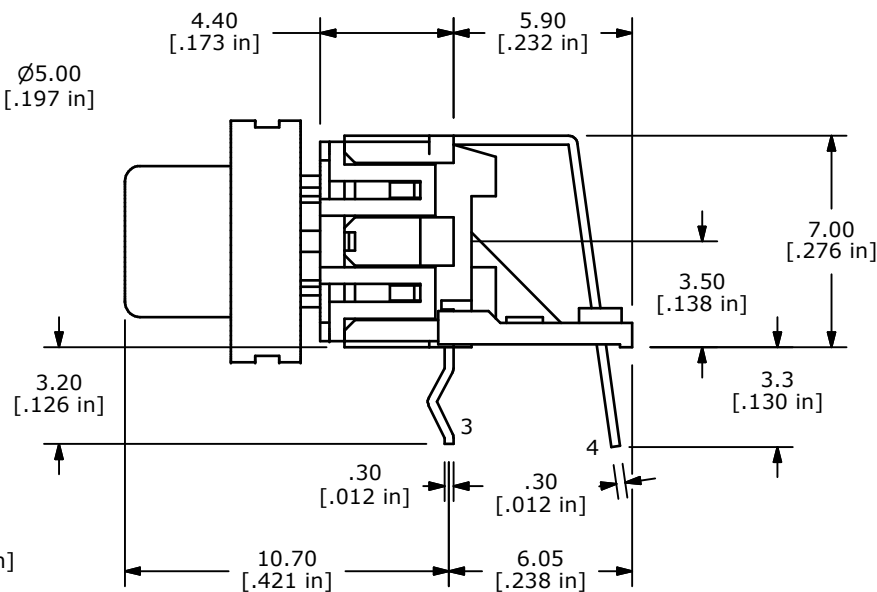
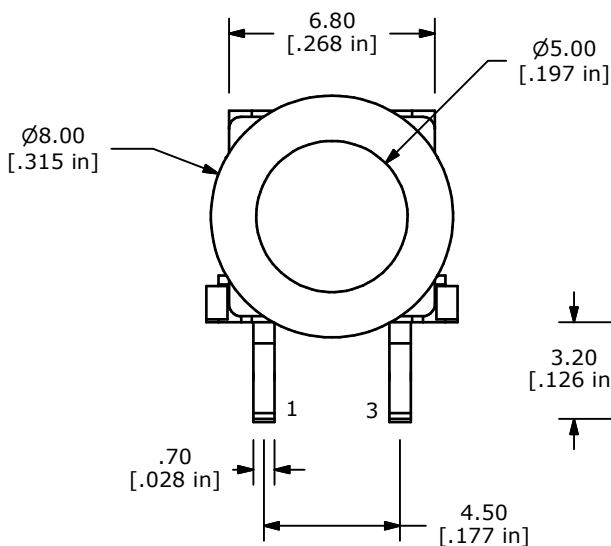
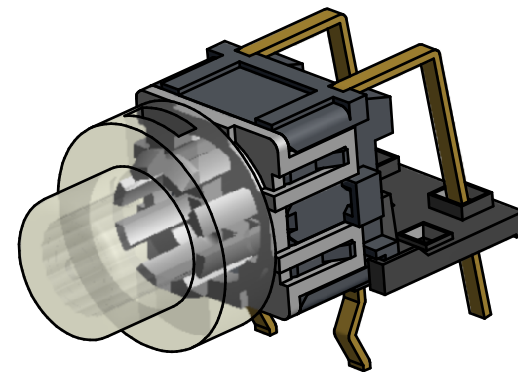
P.C.B LAYOUT



▲ CIRCUIT: SPST



▲ CAP MATERIAL TO BE CLEAR POLYCARBONATE



- NOTES:
1. ALL DIMENSIONS IN MM [INCH]
 2. GENERAL TOLERANCE: X.X=±0.4
X.XX=±0.25
 3. RATING: 50mA @ 12VDC
 4. CONTACT RESISTANCE: 100mΩ MAX.
 5. INSULATION RESISTANCE: 100MΩ MIN.
 6. OPERATING FORCE: 180 ± 60gf
 7. TRAVEL: 0.2 ± 0.1mm
 8. OPERATING TEMPERATURE: -20°C TO 70°C
 9. OPERATING LIFE: 50,000 CYCLES
 - ▲10. LED: NONE
 - ▲11. CONTACTS: SILVER.
 12. ▲ DENOTES CRITICAL PARAMETERS
 13. 2002/95/EC (ROHS) COMPLIANT



TITLE TL1250F180AQRCLR

A	21479	INITIAL RELEASE	6/12/14	EBP
REV	PCR NO	DESCRIPTION	DATE	BY

SCALE	DATE	DR	DWG	REV
	6/12/2014	EBP	P010858	A

THE INFORMATION CONTAINED IN THIS DOCUMENT IS PROPRIETARY TO E-SWITCH AND IS NOT TO BE COPIED OR TRANSFERRED