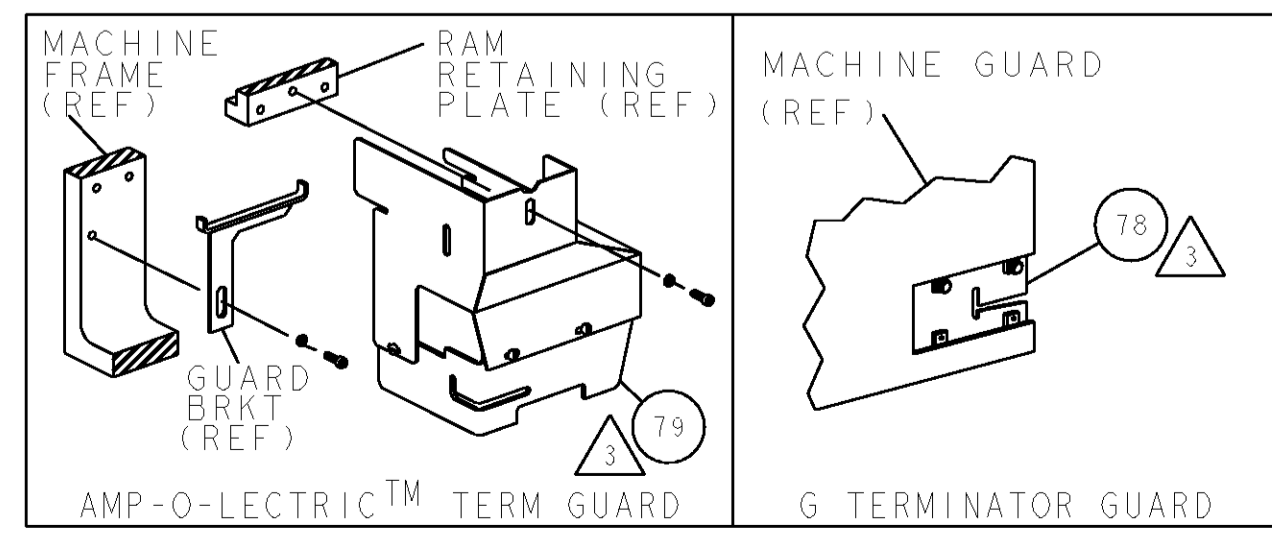
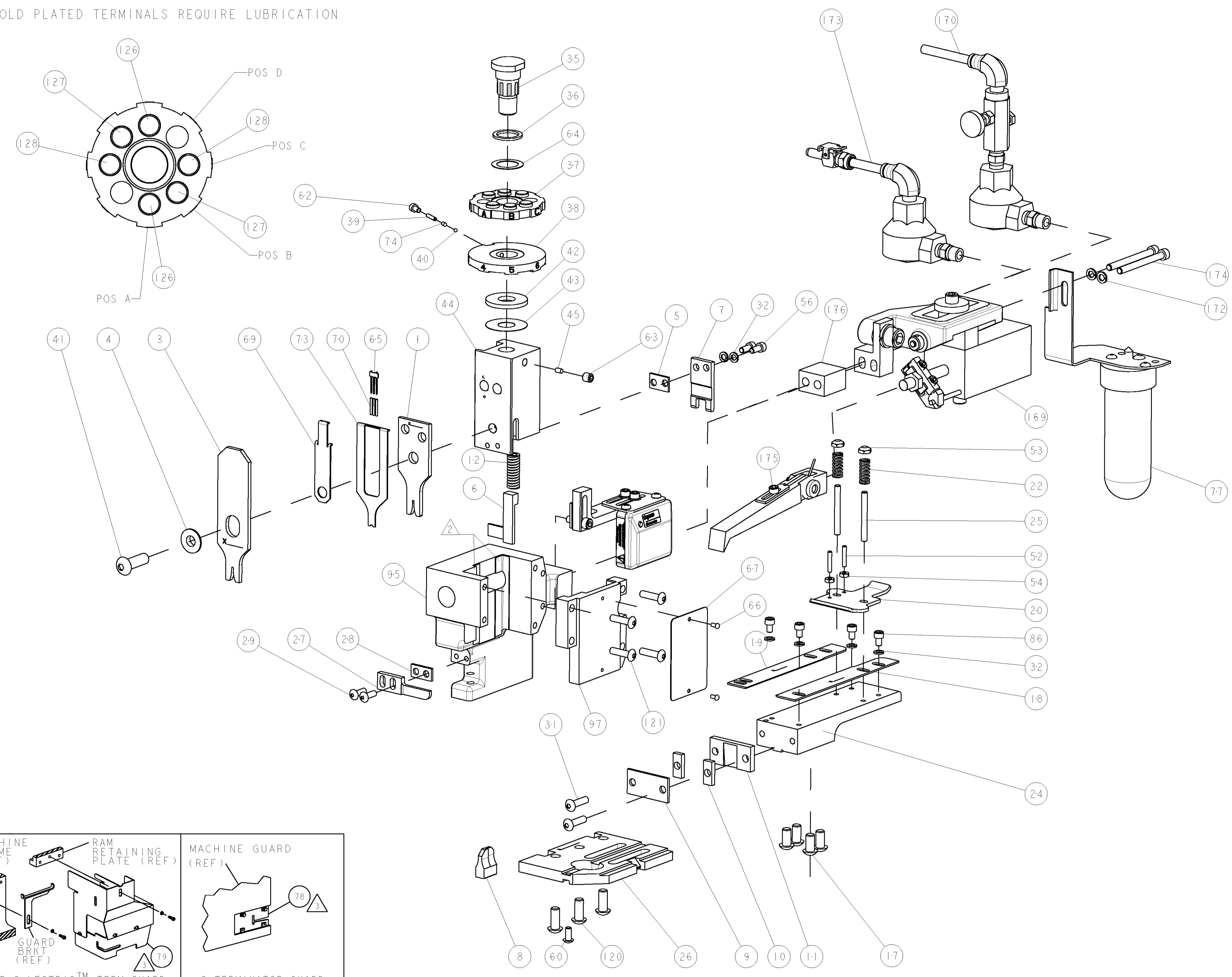


PART NUMBER	REV	FIRST USED	POWER UNIT	FEED TYPE
1852313-1	A	122500-1	LEADMAKER & BENCH MODEL G	AIR FEED
1852313-2	A	565435-5	BENCH MODEL K	AIR FEED
7-1852313-7	A	-	SPARE PARTS	-

TE PN	MFG PN	TE PN	MFG PN	FCI TERMINAL - FCI CRIMP SPECS	
1949108	75691-007	286980-6	48249-000LF		
-	75691-008	286980-7	48048-000LF	CRIMP HEIGHT	
-	75691-009	286980-8	48246-000LF	WIRE SIZE	
286980	48045-000			A	.028±.002[.71±0.05mm]
-	48045-001			B	.027±.002[.69±0.05mm]
-	48045-002			C	.026±.002[.66±0.05mm]
-	47650-000			D	-
286980-5	48243-000LF			CRIMP	SIZE
-	-			WIRE	.042 [1.07mm]
-	-			INSUL	.062 [1.57mm]
					Ø .028 -.054
WIRE STRIP LENGTH	TERM APPL SPEC	NONE		FEED	APPL INSTRUCTIONS
.160				.600	408-8039
					SET UP GAGE
					458638-1

- 1 RECOMMENDED SPARE PARTS
- 2 GREASE LIGHTLY
- 3 GUARD MUST BE IN PLACE WHEN OPERATING APPLICATOR IN A BENCH MACHINE
- 4 GOLD PLATED TERMINALS REQUIRE LUBRICATION



LOC	DIST	REVISIONS			
A	66	P LTR	DESCRIPTION	DATE	DWN
		A2	ECR-08-010313	22APR2008	LG GB
		A3	ECR-08-024919	02OCT2008	MY TE

-	1	1	-	461690-1	SPACER, AIR FEED	176
-	1	1	-	460680-2	FEED FINGER ASSEMBLY	175
-	2	2	-	4-21000-3	SCR, SKT HD CAP 10-32 X 2.000	174
-	-	1	-	692655-7	AIR FEED VALVE ASSEMBLY	173
-	2	2	-	21024-5	WASHER, SPRG LOCK, REG NO 10	172
-	1	1	-	692655-5	AIR FEED VALVE ASSEMBLY	170
-	1	1	-	460277-1	AIR FEED ASSY	169
-	2	2	-	6-354779-4	PIN, WIRE DISC, .3310	128
-	2	2	-	6-354779-1	PIN, WIRE DISC, .3295	127
-	2	2	-	6-354779-0	PIN, WIRE DISC, .3290	126
-	4	4	-	2-21002-9	SCR, BTN SKT HD CAP 10-32 X .750	121
-	3	3	-	2-22733-8	SCR, BHSC, SELF-LOCKING, 1/4-20 X .625	120
-	1	1	-	454220-1	CAP, RAM	97
-	1	1	-	453736-1	HOUSING, APPLICATOR	95
-	4	4	-	2-21000-5	SCR, SKT HD CAP 8-32 X .250	86
-	REF	-	-	455745-1	GUARD WINDOW	79
-	-	REF	-	679532-1	INSERT, GUARD	78
-	1	1	-	465184-9	LUBRICATOR ASSY	77
-	1	1	-	690603-1	SPRING ASSIST AMP-O-MATOR APPLICATOR	74
-	1	1	-	1490525-2	DEPRESSOR, WIRE	73
-	1	1	-	217238-1	GENERAL INSTRUCTION PKG	72
-	1	1	-	4088039	EF APPL INST 408-8039	71
-	3	3	-	23147-7	SPRING, COMPRESSION	70
-	1	1	-	1490524-2	DEPRESSOR, SPACER	69
-	1	1	-	461264-1	PLATE, IDENTIFICATION	67
-	2	2	-	21017-2	SCREW, DRIVE	66
-	1	1	-	1424350-1	HOLDER, PIN, WIRED	65
-	1	1	-	986950-1	WASHER, FLAT PRECISION	64
-	1	1	-	21009-2	SCR, SET, SELF LOCKING 1/4-20 X .250	63
-	1	1	-	23030-1	SCR, SKT HD CAP 6-32 X .25	62
-	1	1	-	22733-8	SCR, BHSC, SELF-LOCKING, 8-32 X .375	60
-	2	2	-	2-21000-6	SCR, SKT HD CAP 8-32 X .375	56
-	2	2	-	21018-4	NUT, HEX, REG 4-40	54
-	2	2	-	21022-2	NUT, LOCK, HEX, TORQUE, 8-32	53
-	2	2	-	2-21006-6	SCR, SET, CUP POINT 4-40 X .625	52
-	1	1	-	690191-1	PLUG, NYLON	45
-	1	1	-	455674-2	RAM	44
-	1	1	-	690125-1	SHIM SUB-ASSY	43
-	1	1	-	690124-1	WASHER, RAM (.115)	42
-	1	1	-	7-21002-9	SCR, BTN SKT HD CAP 5/16-24 X 1.00	41
-	1	1	-	23241-6	BALL, STEEL	40
-	1	1	-	690170-1	SPRING, COMPRESSION	39
-	1	1	-	690142-1	DISC, INSULATION	38
-	1	1	-	354777-1	WIRE DISC, ASSEMBLY	37
-	1	1	-	22480-5	SPRING, COMPRESSION	36
-	1	1	-	690212-1	POST, RAM	35
-	6	6	-	21024-4	WASHER, SPRG LOCK, REG NO 8	32
-	2	2	-	2-21002-9	SCR, BTN SKT HD CAP 10-32 X .750	31
-	2	2	-	2-21002-2	SCR, BTN SKT HD CAP 8-32 X .500	29
-	1	1	-	3-690451-2	SPACER, STRIPPER	28
-	1	1	-	240639-1	STRIPPER (MACHINING)	27
-	1	1	-	455676-1	PLATE, BASE	26
-	2	2	-	22354-8	STUD, THREADED	25
-	1	1	-	455678-1	PLATE, STRIP GUIDE	24
-	2	2	-	4-22281-1	SPRING, DRAG	22
-	1	1	-	454177-1	DRAG	20
-	1	1	-	4-458030-9	STRIP GUIDE, REAR	19
-	1	1	-	5-458031-0	STRIP GUIDE, FRONT	18
-	4	4	-	3-21002-3	SCR, BTN SKT HD CAP 1/4-20 X .500	17
-	1	1	-	23846-1	SPRING, DIE	12
-	1	1	-	240644-1	PLATE, REAR SHEAR	11
-	2	2	-	2-240645-7	SPACER, SHEAR PLATE	10
-	1	1	-	1-240642-3	PLATE, FRONT SHEAR	9
-	1	1	-	5-356038-4	ANVIL, COMBINATION	8
-	1	1	-	7-240651-4	BLADE, SLUG	7
-	1	1	-	3-455892-8	HOLD DOWN, TERMINAL	6
-	1	1	-	8-240641-7	SPACER	5
-	1	1	-	238009-1	BLOCK, FL CRIMPER SPACER	4
-	1	1	-	4-456135-3	CRIMPER, INSULATION O PREMIUM	3
-	1	1	-	1-456401-0	CRIMPER, WIRE PREMIUM	1

- 1
- 2
- 3
- 4
- 5
- 6
- 7
- 8
- 9
- 10
- 11
- 12
- 13
- 14
- 15
- 16
- 17
- 18
- 19
- 20
- 21
- 22
- 23
- 24
- 25
- 26
- 27
- 28
- 29
- 30
- 31
- 32
- 33
- 34
- 35
- 36
- 37
- 38
- 39
- 40
- 41
- 42
- 43
- 44
- 45
- 46
- 47
- 48
- 49
- 50
- 51
- 52
- 53
- 54
- 55
- 56
- 57
- 58
- 59
- 60
- 61
- 62
- 63
- 64
- 65
- 66
- 67
- 68
- 69
- 70
- 71
- 72
- 73
- 74
- 75
- 76
- 77
- 78
- 79
- 80
- 81
- 82
- 83
- 84
- 85
- 86
- 87
- 88
- 89
- 90
- 91
- 92
- 93
- 94
- 95
- 96
- 97
- 98
- 99
- 100
- 101
- 102
- 103
- 104
- 105
- 106
- 107
- 108
- 109
- 110
- 111
- 112
- 113
- 114
- 115
- 116
- 117
- 118
- 119
- 120
- 121
- 122
- 123
- 124
- 125
- 126
- 127
- 128
- 129
- 130
- 131
- 132
- 133
- 134
- 135
- 136
- 137
- 138
- 139
- 140
- 141
- 142
- 143
- 144
- 145
- 146
- 147
- 148
- 149
- 150
- 151
- 152
- 153
- 154
- 155
- 156
- 157
- 158
- 159
- 160
- 161
- 162
- 163
- 164
- 165
- 166
- 167
- 168
- 169
- 170
- 171
- 172
- 173
- 174
- 175
- 176

77	-2	-1	U/M	PART NO	DESCRIPTION	ITEM NO	
<small>THIS DRAWING IS UNPUBLISHED. RELEASED FOR PUBLICATION. COPYRIGHT 20 BY TYCO ELECTRONICS CORPORATION. ALL RIGHTS RESERVED.</small>				DWN 18AUG2006 CHK 23AUG2006 R.O. WILSON I. ELBIN 23AUG2006	<b>tyco</b> Tyco Electronics Harrisburg, PA 17105-3608		
DIMENSIONS: INCHES 9 PLC ±.01 1 PLC ±.01 3 PLC ±.001 4 PLC ±.0001 ANGLES ±.0001		TOLERANCES UNLESS OTHERWISE SPECIFIED: 9 PLC ±.01 1 PLC ±.01 3 PLC ±.001 4 PLC ±.0001 ANGLES ±.0001		PRODUCT SPEC APPLICATION SPEC SIZE CAGE CODE DRAWING NO A1 00779 C=1852313			RESTRICTED TO
MATERIAL		FINISH		WEIGHT		SCALE 3:5 SHEET 1 OF 1 REV A3	
CUSTOMER DRAWING				CUSTOMER VIEWABLE ASSEMBLY			