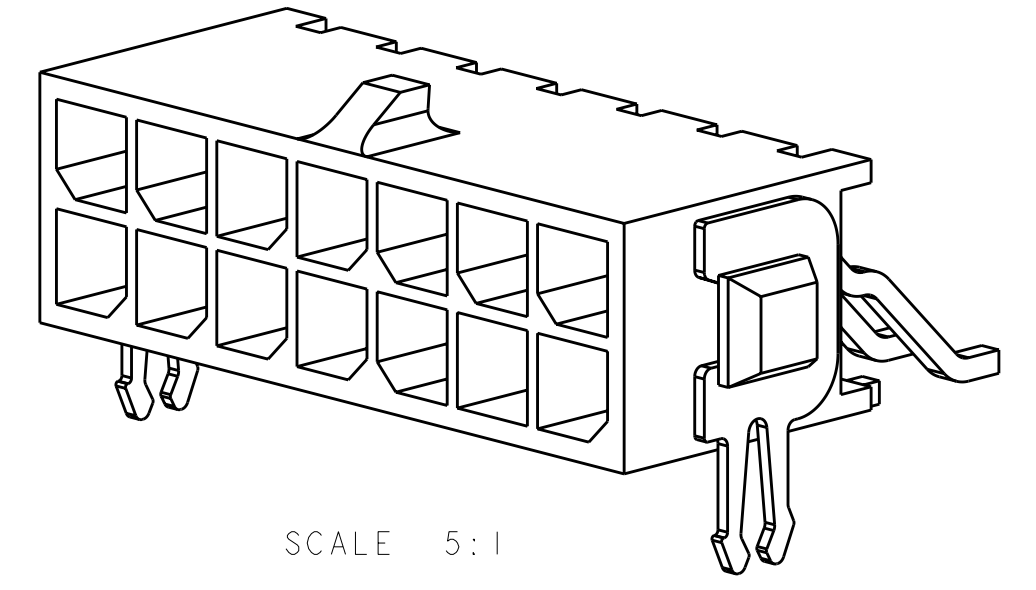
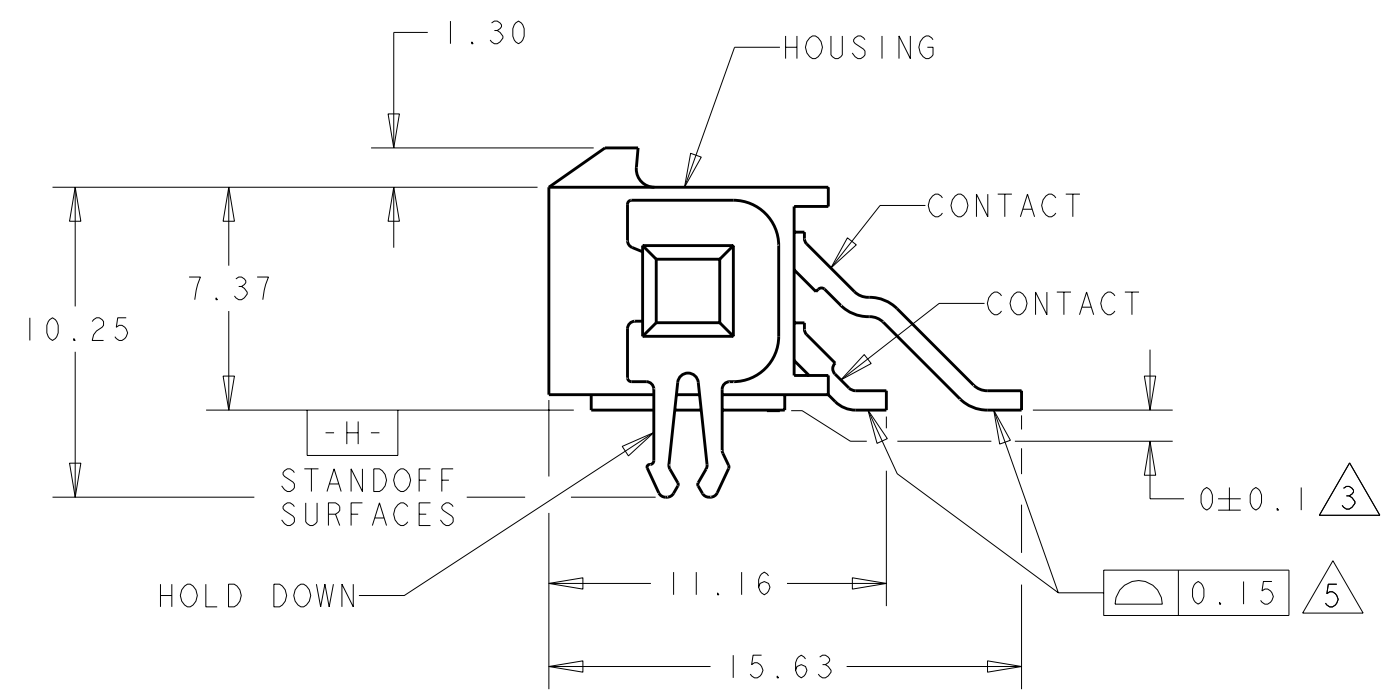
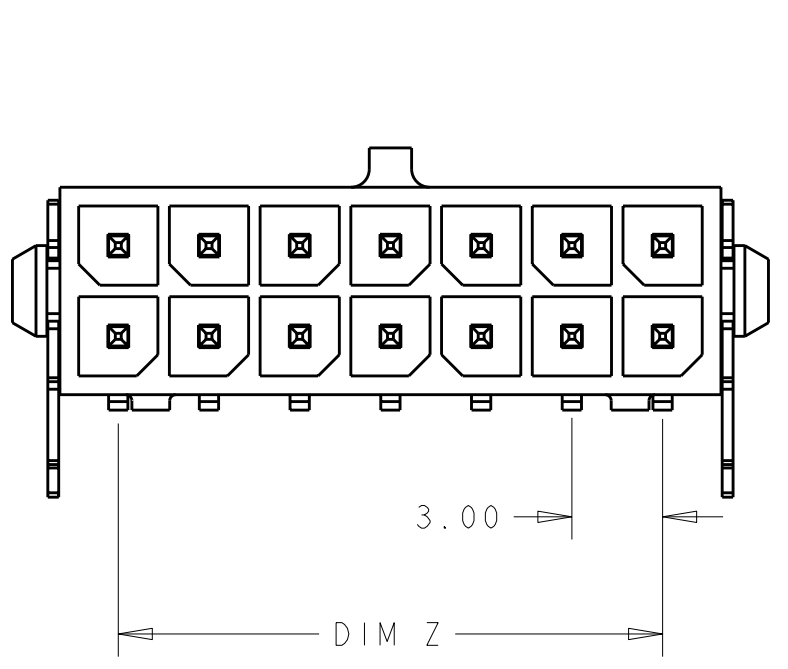
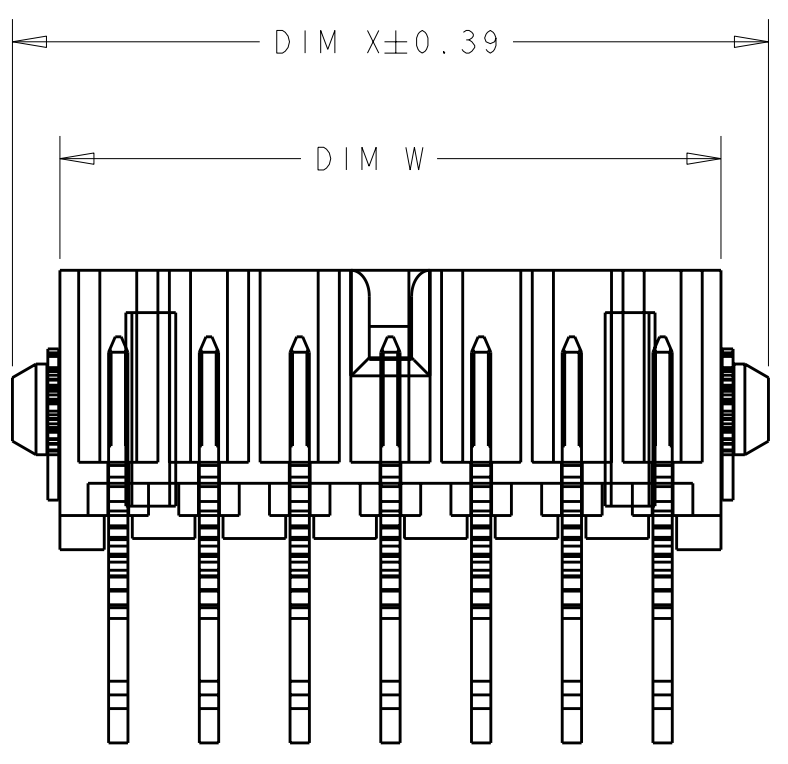


THIS DRAWING IS UNPUBLISHED. RELEASED FOR PUBLICATION 20
 © COPYRIGHT 20 BY - ALL RIGHTS RESERVED.

REVISIONS							
LOC	DIST	P	LTR	DESCRIPTION	DATE	DWN	APVD
CM	00		FI	REVISED PER ECO-11-005027	16MAR2011	RK	HMR

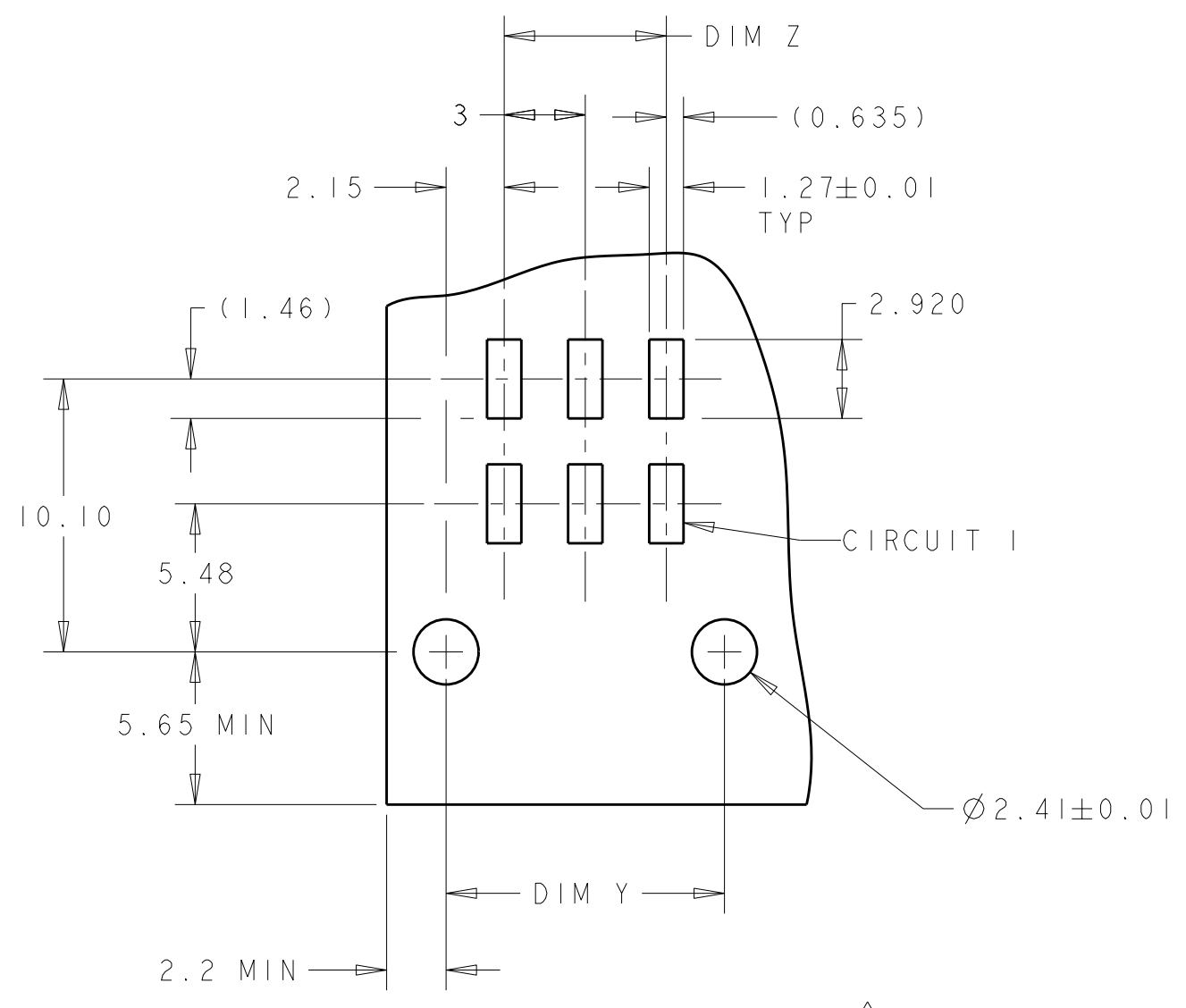


SCALE 5:1



- 1 MATERIAL;
CONTACTS - BRASS.
HOUSING - UL 94V-0 RATED HIGH TEMP NYLON,
COLOR: BLACK.
HOLD DOWNS - PHOSPHOR BRONZE.
- 2 FINISH;
CONTACTS - 2.54µm MINIMUM TIN-LEAD OVER 1.27µm
MINIMUM NICKEL.
HOLD DOWNS - 2.54µm TIN LEAD.
- 3 DIMENSION APPLIES TO SOLDERTAIL SURFACES
AND STANDOFF SURFACES.
- 4 RECOMMENDED PCB THICKNESS OF 1.57.
- 5 ALL SOLDERTAILS.
- 6 FINISH;
CONTACTS - 2.54µm MINIMUM MATTE TIN OVER 1.27µm
MINIMUM NICKEL.

6	36.86	37.30	33.00	40.00	24	5-794624-4
	33.86	34.30	30.00	37.00	22	5-794624-2
	30.86	31.30	27.00	34.00	20	5-794624-0
	27.86	28.30	24.00	31.00	18	4-794624-8
	24.86	25.30	21.00	28.00	16	4-794624-6
	21.86	22.30	18.00	25.00	14	4-794624-4
	18.86	19.30	15.00	22.00	12	4-794624-2
	15.86	16.30	12.00	19.00	10	4-794624-0
	12.86	13.30	9.00	16.00	8	3-794624-8
	9.86	10.30	6.00	13.00	6	3-794624-6
2	6.86	7.30	3.00	10.00	4	3-794624-4
	3.86	4.30	-	7.00	2	3-794624-2
	36.86	37.30	33.00	40.00	24	2-794624-4
	33.86	34.30	30.00	37.00	22	2-794624-2
	30.86	31.30	27.00	34.00	20	2-794624-0
	27.86	28.30	24.00	31.00	18	1-794624-8
	24.86	25.30	21.00	28.00	16	1-794624-6
	21.86	22.30	18.00	25.00	14	1-794624-4
	18.86	19.30	15.00	22.00	12	1-794624-2
	15.86	16.30	12.00	19.00	10	1-794624-0
FINISH	DIM W	DIM Y	DIM Z	DIM X	NO. OF POSN.	ASSEMBLY



RECOMMENDED PCB LAYOUT (COMPONENT SIDE) 4



THIS DRAWING IS A CONTROLLED DOCUMENT. DWN S. HOOVER 23-MAR-2005
 CHK C. JONES 23-MAR-2005
 APVD C. JONES 23-MAR-2005

STE TE Connectivity

PRODUCT SPEC: SURFACE MOUNT, RIGHT ANGLE, MECH. HOLD DOWN, ASSEMBLY, TIN HEADER, DUAL ROW, MICRO MATE-N-LOK (TM)

APPLICATION SPEC: -
 WEIGHT: -
 SCALE: 4:1

MATERIAL: 1 SEE TABLE

SIZE: A20779 CAGE CODE: 794624 DRAWING NO: 794624
 SHEET: 1 OF 1 REV: FI