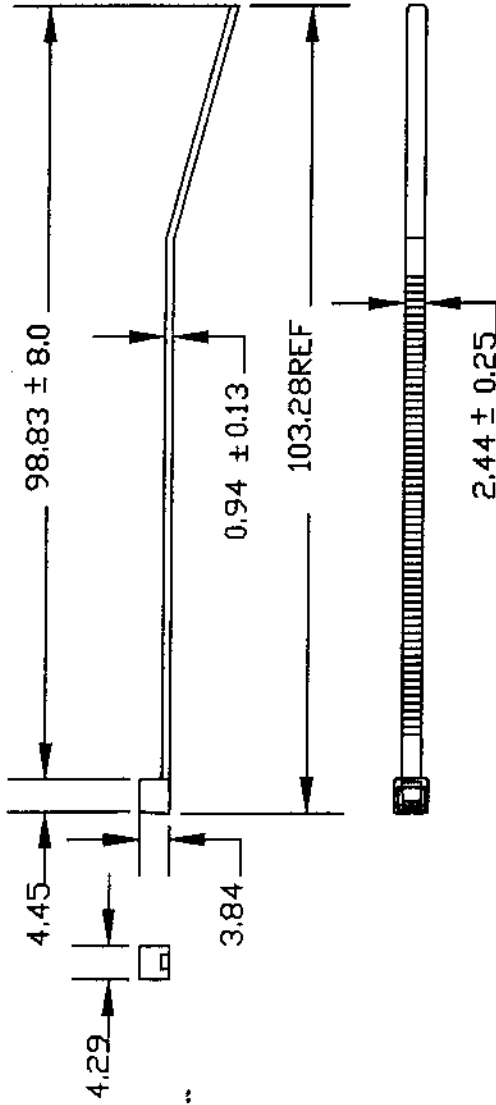


ECR	REV	DESCRIPTION	DATE	ENG
-	01	RELEASE TO PRODUCTION	9-8-89	JB
10696	A	REDRAWN TO AUTOCAD	02-10-95	AB



MAR 27 RECD

NOTES:

1. MATERIAL NYLON 6/6 COLOR BLACK
2. TOLERANCES UNLESS OTHERWISE SPECIFIED:
2 PLACE ± 0.50.
3. MAX BUNDLE DIA 19.1

ALL DIMENSION IN MM, USED ON 01-250-005



Bytec Incorporated

SCALE 1:1
DATE 02-10-95

APPROVED BY

DRAWN BY
AB

DESCRIPTION

CABLE TIE

DWG. SIZE

XCT-BYT002CST

REF TYTON PART NO T18R-H50

DRAWING NO.

A-775-003A

A