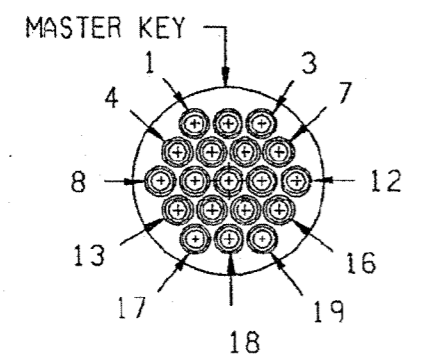
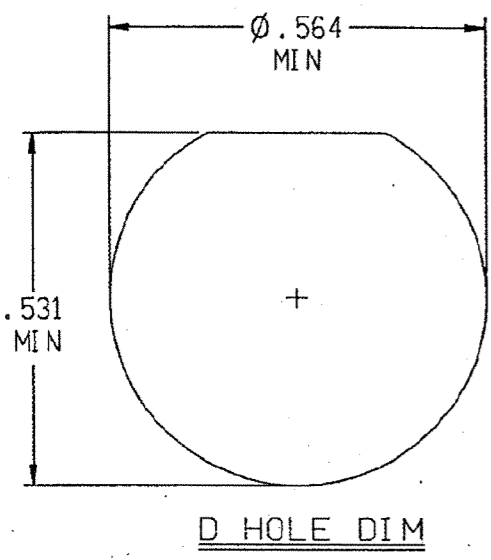
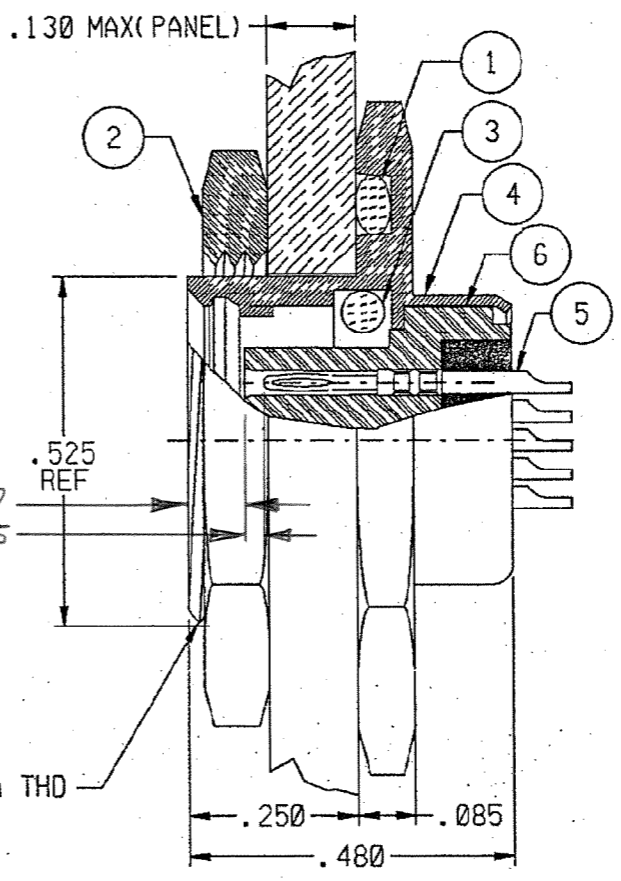
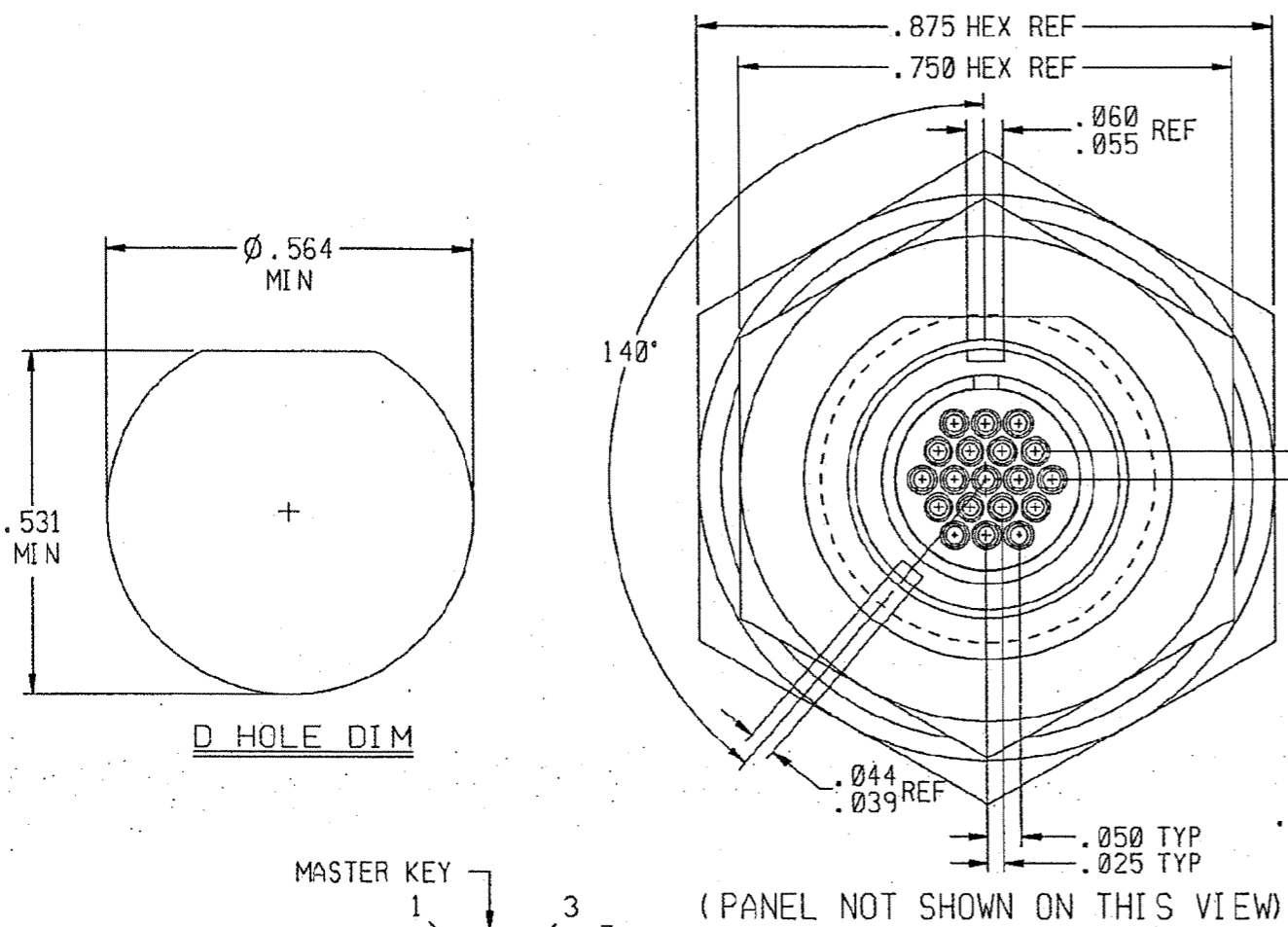


REVISION					
ZONE	LTR	ECN	DESCRIPTION	DATE	APPROVED
B		39366	UPDATE REVISION LETTER.	9/14/99	ES
C		42913	ADDED .095±.010 & .020±.005	6/16/05	MW



CONTACT ARRANGEMENTS
MATING FACE VIEW

QTY	PART NUMBER	DESCRIPTION	MATERIAL & FINISH	ITEM NO.
1	083-9144-0013	ISULATOR, EOR, 19 POS.	RYTON	6
19	096-0524-0101	SOLDER POT ASSY.	COPPER ALLOY, GOLD PLATED	5
1	083-9148-0025	RCPT, SHELL, EOR 19 POS	BRASS/ASTM B 16, NKL PLATED	4
1	083-9145-0003	'O' RING RCPT	SILICONE RUBBER	3
1	083-4155-0010	MOUNTING NUT	BRASS/ASTM B 16, NKL PLATED	2
1	083-4145-0009	'O' RING MOUNTING	SILICONE RUBBER	1

UNLESS OTHERWISE SPECIFIED DIMENSIONS ARE IN INCHES. TOLERANCE ARE:

FRACTIONS	DECIMALS	ANGLES
± 1/8	.XX ±.01 .XXX ±.005	± 2°

APPROVALS

SIGNATURE	DATE
DRAWN HENNY G.	1-26-99
CHECKED	
PRD. ENG. <i>ES</i>	9/14/99
APPROVED	

MATERIAL:

FINISH:

THIS DOCUMENT IS THE PROPERTY OF MICRODOT CONNECTORS, A DIVISION OF UNI-STAR INDUSTRIES INC. USE OF THIS DOCUMENT OR ANY PART THEREOF IS STRICTLY FORBIDDEN WITHOUT THE EXPRESS WRITTEN PERMISSION OF MICRODOT CONNECTORS, A DIVISION OF UNI-STAR INDUSTRIES INC.

MICRODOT CONNECTORS
A DIVISION OF UNI-STAR INDUSTRIES INC.
306 PASADENA AVE., SO. PASADENA, CA 91103

RCPT, REAR MOUNT, EOR, 19 POSITION
SOLDER POT TERMINATION

PROD CODE 500
CODE CDM

SIZE CODE IDENT NO. DRAWING NO.
B 98278 629-9019-0001

SCALE: NONE SHEET 1 OF 1

NOTES: UNLESS OTHERWISE SPECIFIED