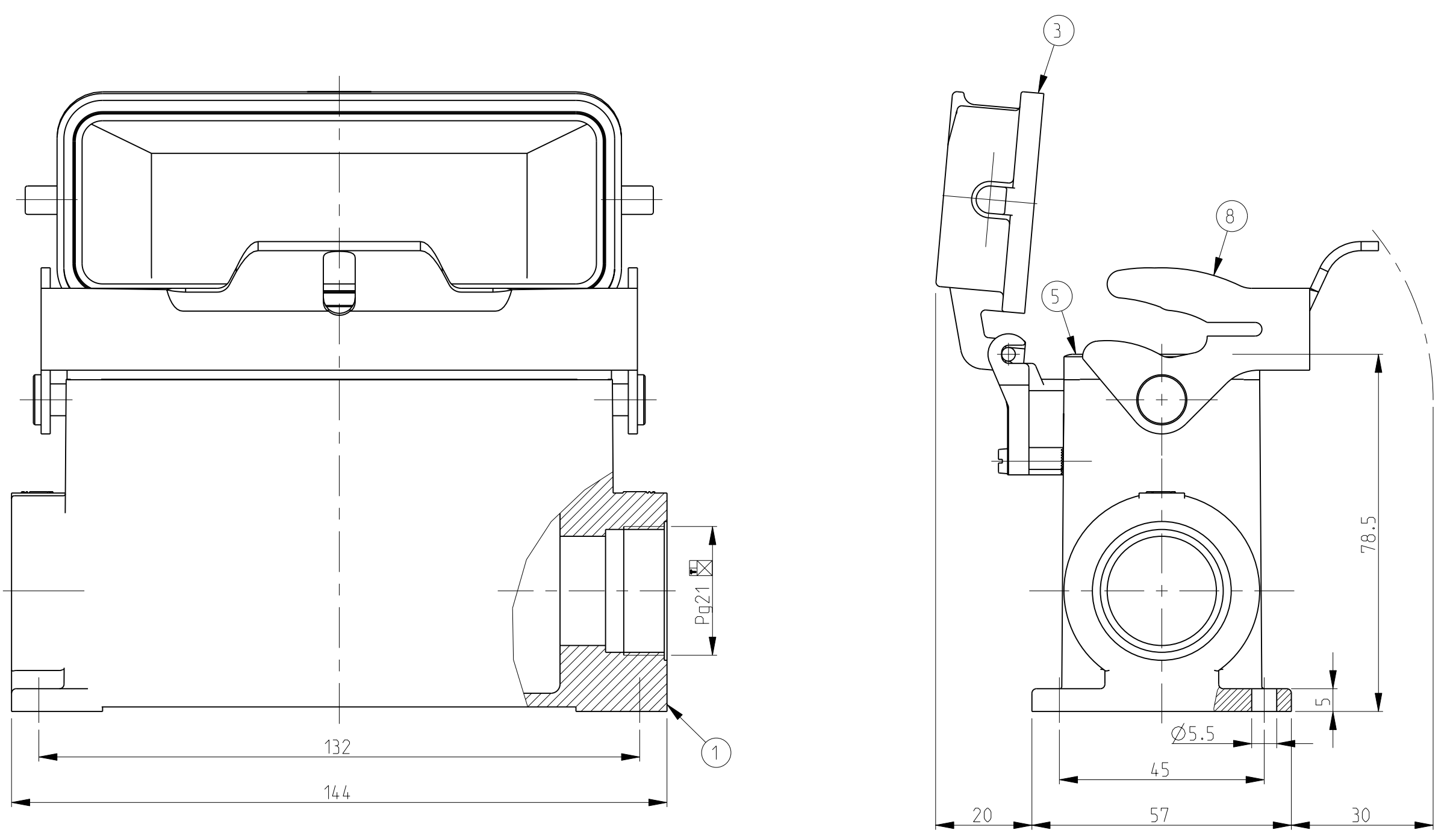
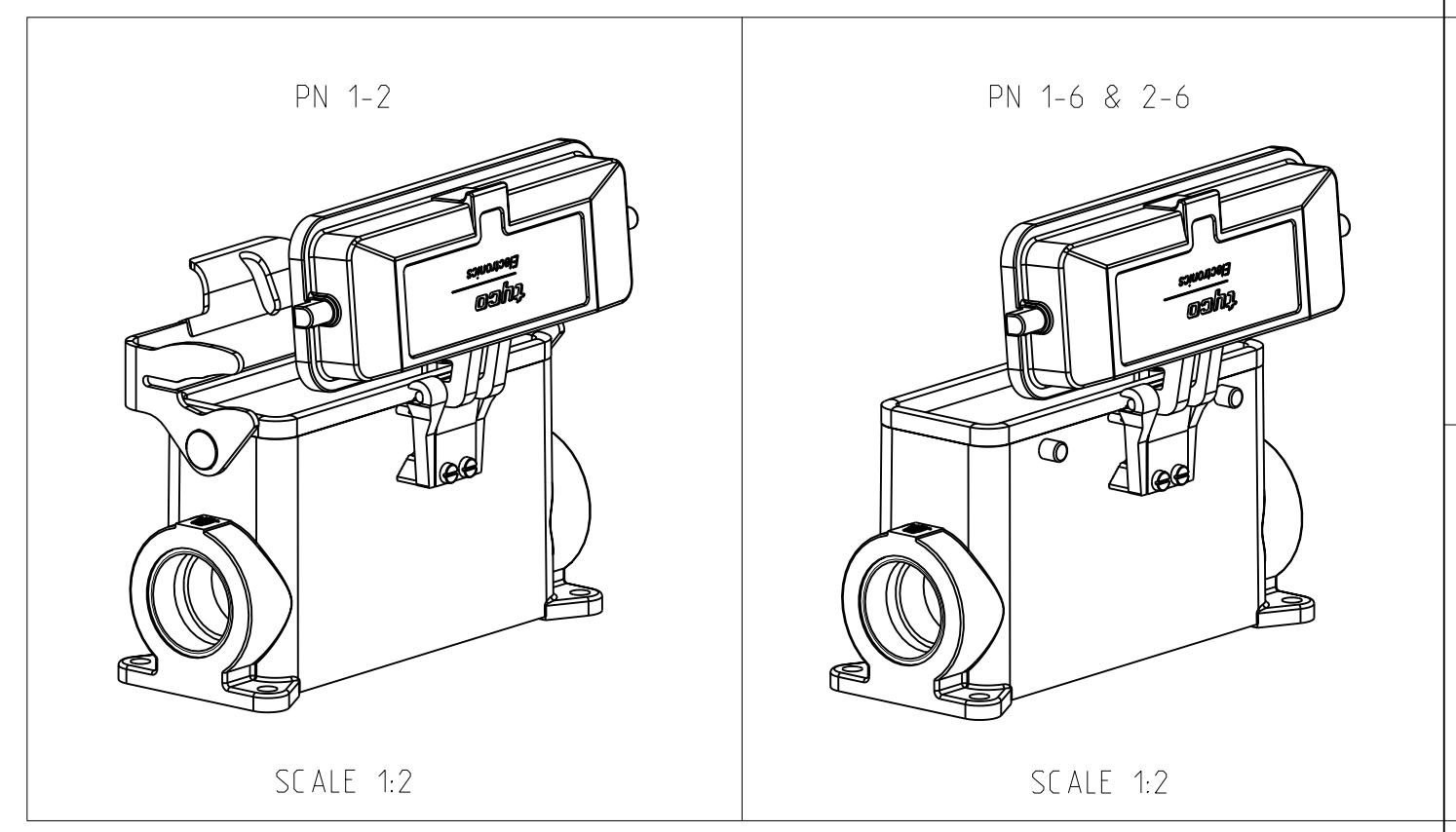


LOC	DIST	REVISIONS			
P	LTB	DESCRIPTION	DATE	DWN	APVD
A1	-				
A2		Released as per ECR-08-017219	09.July.2008	SP	TS

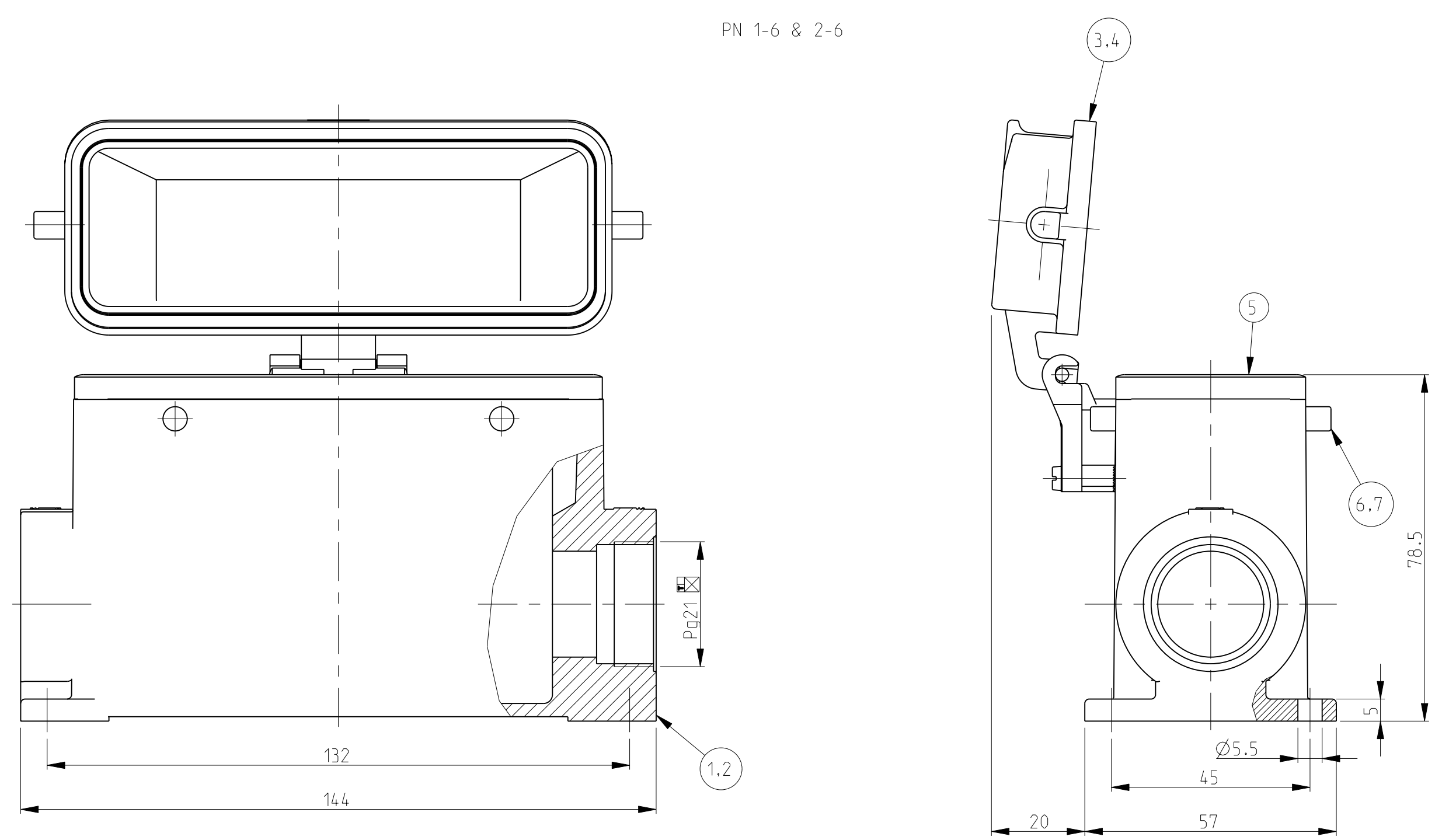
PN 1-2



- NOTES.
- 1 Material:Housing:Aluminium Diecasting Alloy  
Seals:Neoprene
  - 2 Surface:Varnish grey  
-Aluminium Oxide +Varnish Black
  - 3 Varnish on the inside not necessary
  - 4 Packaging  
Quantity 5 Pieces in a box



PN 1-6 & 2-6



QTY	DESCRIPTION	MATERIAL	SURFACE	COLOR	ITEM NO	REMARKS
1	LB-Side clip	Steel	Zinc plated	Blue	8	
4	VS-Clip bolt	Stainless steel	Blank		7	
4	VS-Clip bolt	Steel	Zinc plated	Blue	6	
1	1 Profile SeatHB6/24	Neoprene		Black	5	
1	1 Cover finished product HB-K	Aluminium	Aluminium oxide	Black	4	
1	1 Cover finished product HB	Aluminium		Grey	3	
1	1 Surface mounted housing side entry	Aluminium	Aluminium oxide	Black	2	
1	1 Surface mounted housing side entry	Aluminium		Grey	1	
1-2-6	1-6					

ORDERING TEXT  
 HD .64 .SGD .1.21.Z  
 HD-K.64.SGD.1.21.Z  
 HD .64 .SGD-LB.1.21.Z

DIMENSIONS: mm		TOLERANCES UNLESS OTHERWISE SPECIFIED: mm		DWN Schneider 30.09.03 CHK Schweizer 30.09.03		Tyco Electronics Tyco Electronics,AMP.GmbH 0-53819,Neunkirchen,Germany	
DIMENSIONS: mm		TOLERANCES UNLESS OTHERWISE SPECIFIED: mm		NAME PRODUCT SPEC APPLICATION SPEC		NAME Surface mounted housing side entry HD .64 .SGD .1.21.Z	
MATERIAL FINISH		WEIGHT SCALE 1:1		SIZE CAGE CODE DRAWING NO A1 00779 C=1103360		RESTRICTED TO SHEET 1 OF 1 REV A2	
CUSTOMER DRAWING				SCALE 1:1 SHEET 1 OF 1 REV A2			