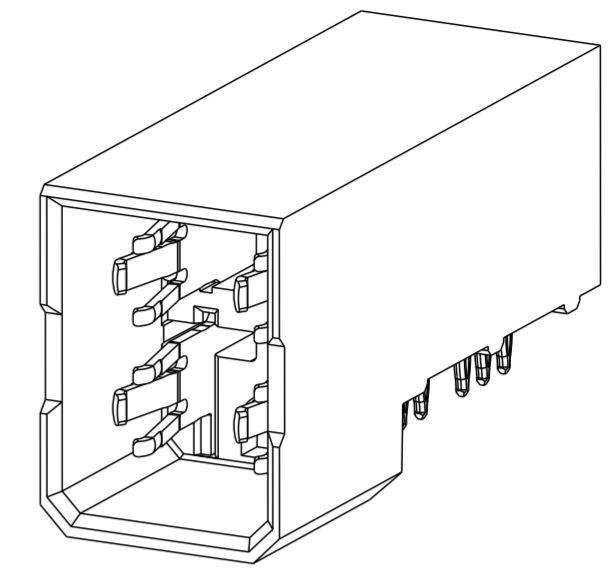
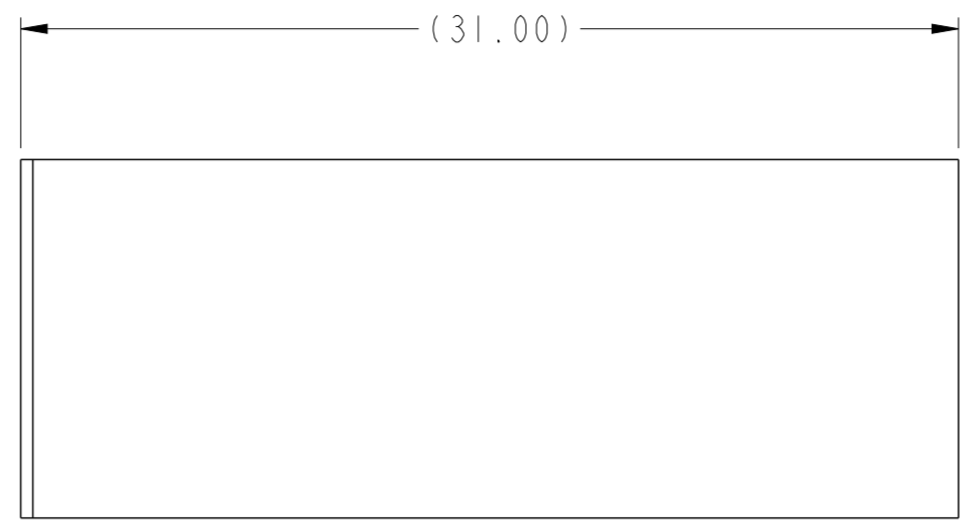
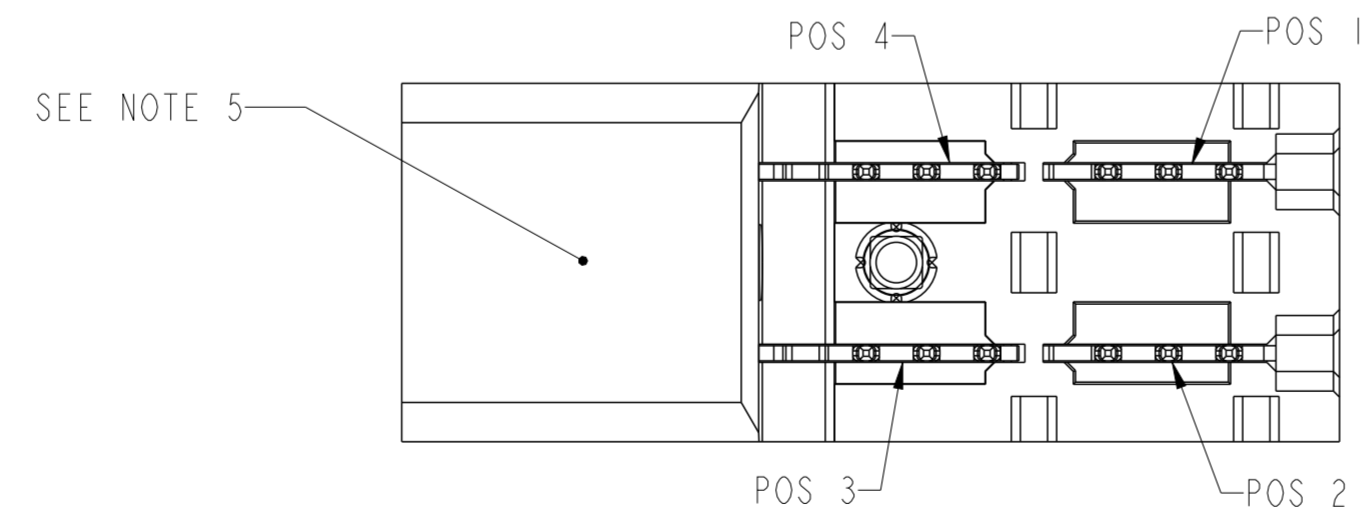
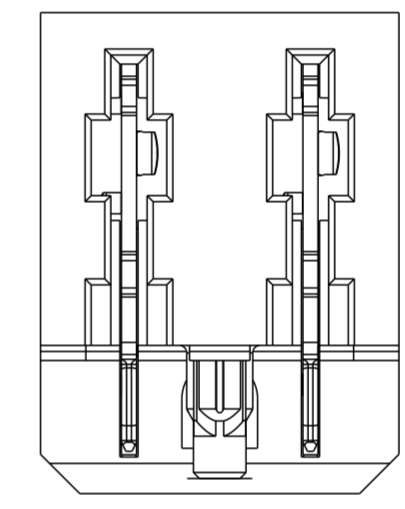
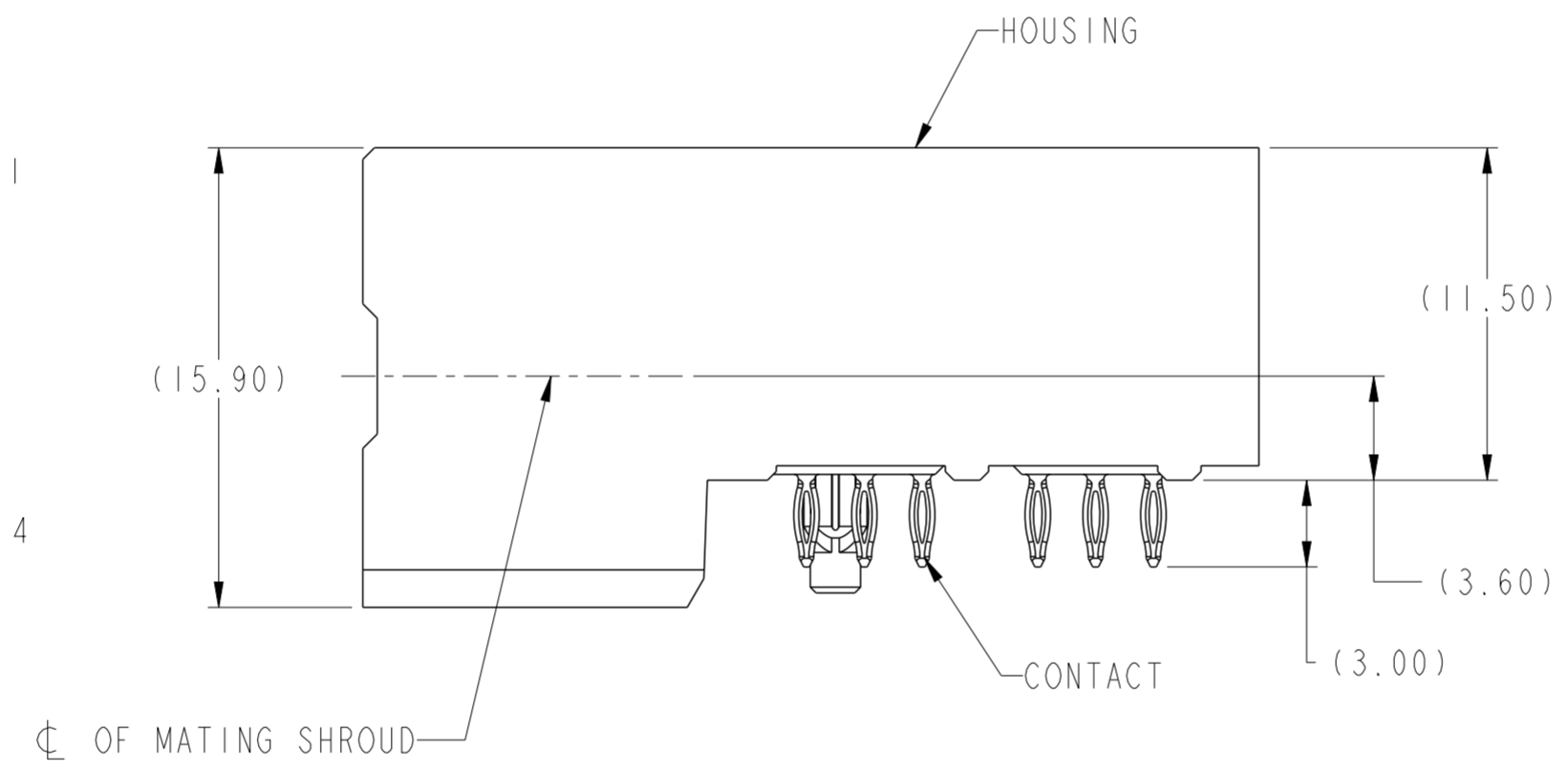
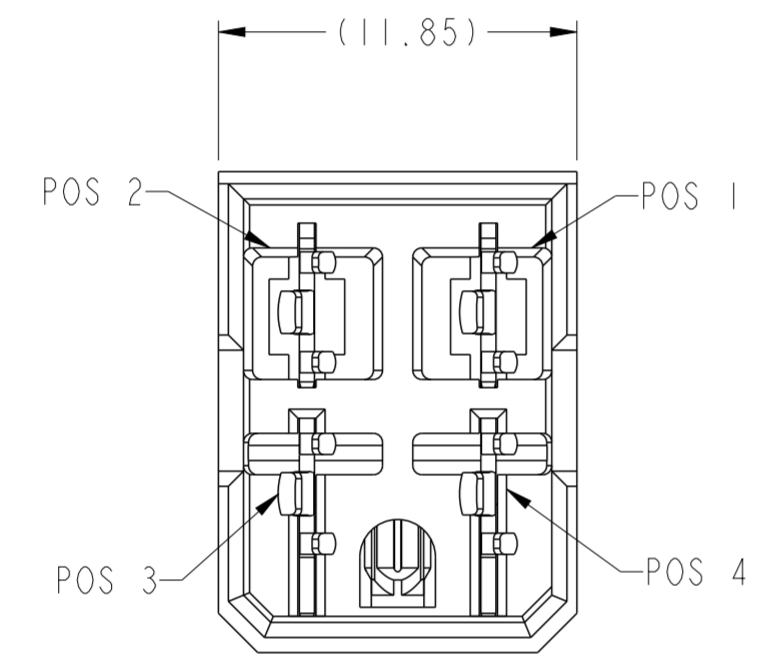


PRODUCT NUMBER	CONTACT PLATING NOTE
10124648-001LF	NOTE 2



SCALE 3:1



Copyright FCI. FCI

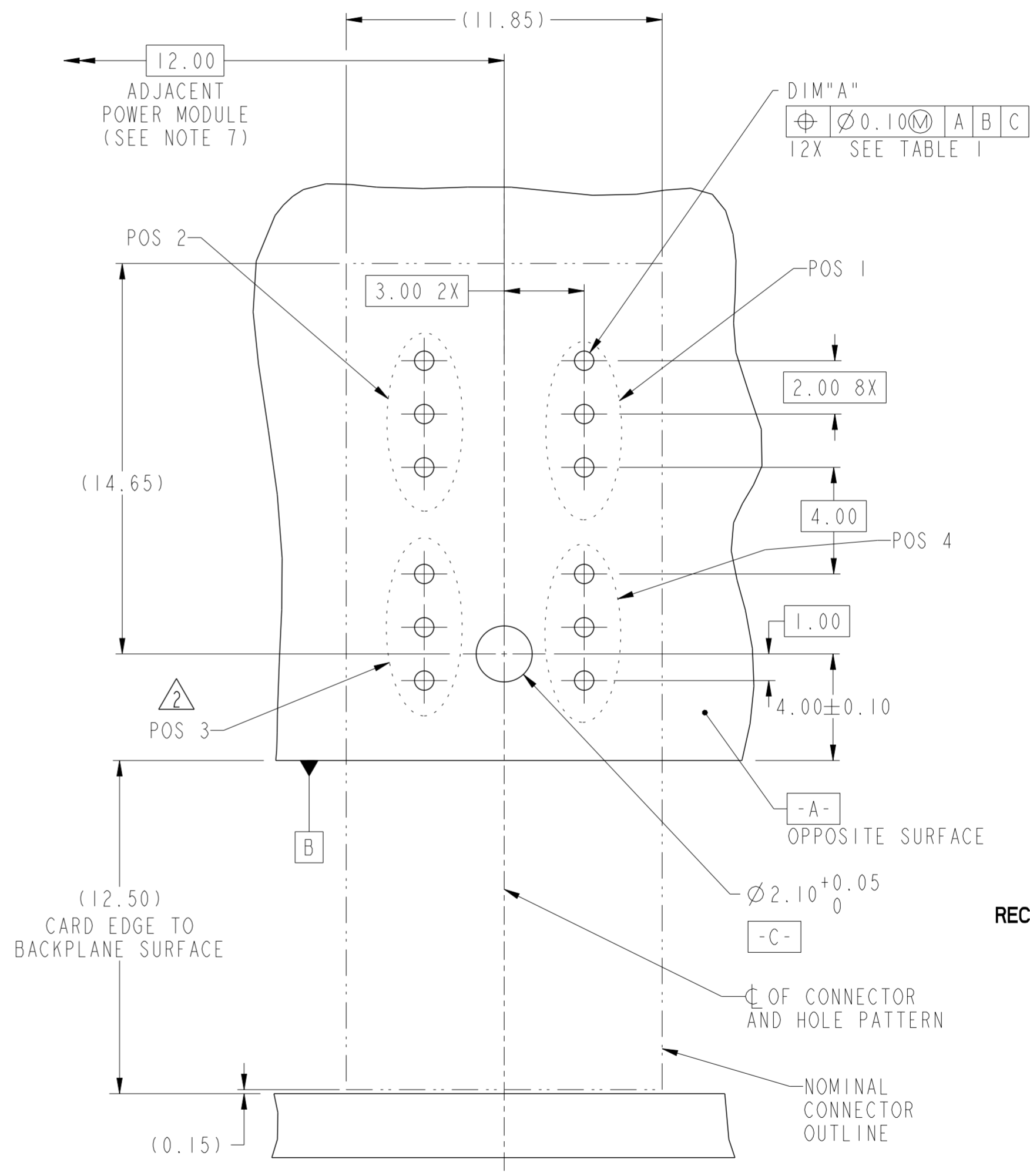
spec ref	GS-12-220	dr	S Paulgandian	2013/03/11	projection	MM	size	A2	scale	4:1
tolerance std	ASME Y14.5	eng	Suzie Nah	2013/09/06	chr	-	ecn no	ELX-S-15671-1	rel level	Released
TOLERANCES UNLESS OTHERWISE SPECIFIED		appr	Chen-Hong Tan	2013/09/19	product family	2mm High Power	cat. no.	10124648	rev	C
surface	linear	0.X	±0.3		R/A HEADER ASSEMBLY, 2X2		div no 10124648	sheet 1 of 2		
		0.XX	±0.10		AIRMAX POWER, 11.5MM HEIGHT (PERFORMANCE BASED PLATING)					
		0.XXX	±0.050							
	angular	0°	±2°	www.fci.com	cat. no.	-	Product - Customer Drw			

PDS: Rev :C

STATUS:Released

Printed: Sep 20, 2013

TOP LAYER DESCRIPTION	TABLE I PLATED THROUGH-HOLE REQUIREMENTS							
	DRILLED HOLE DIAMETER	COPPER THICKNESS	TIN-LEAD THICKNESS	NICKEL THICKNESS	GOLD THICKNESS	TIN THICKNESS	SILVER THICKNESS	FINISHED HOLE DIAMETER (DIM"A")
TIN-LEAD	0.81-0.86 (0.85 DRILL)	0.025 - 0.050	0.005 - 0.015	--	--	--	--	0.65 - 0.80
IMMERSION TIN	0.81-0.86 (0.85 DRILL)	0.025 - 0.050	--	--	--	0.9 - 1.5um	--	0.70 - 0.80
IMMERSION SILVER	0.81-0.86 (0.85 DRILL)	0.025 - 0.050	--	--	--	--	0.15 - 0.65um	0.70 - 0.80
COPPER (SEE NOTE 11)	0.81-0.86 (0.85 DRILL)	0.025 - 0.050	--	--	--	--	--	0.70 - 0.80
GOLD	0.81-0.86 (0.85 DRILL)	0.025 - 0.050	--	0.003 - 0.007	FLASH UP TO 0.0002	--	--	0.69 - 0.80



- NOTES:
- CONNECTOR MATERIALS:
HOUSING: HIGH TEMPERATURE THERMOPLASTIC, BLACK
UL 94V-0 COMPLIANT
CONTACT: HIGH PERFORMANCE COPPER ALLOY
 - CONTACT PLATING:
PRESS-FIT TAIL: 0.5um MIN MATT TIN OVER NICKEL.
SEPARABLE INTERFACE: 0.76 um MIN GXT OVER NICKEL
 - PRODUCT SPECIFICATION: GS-12-220
 - APPLICATION SPECIFICATION: GS-20-023
 - PRODUCT MARKING (PRODUCT NUMBER & LOT CODE) ON HOUSING.
 - MINIMUM NOMINAL PCB THICKNESS: 1.6mm
 - REFER TO CUSTOMER DRAWING 10035911 REGARDING INFORMATION REGARDING PCB LAYOUT OF POWER AND GUIDE MODULES RELATIVE TO SIGNAL MODULES.
 - PRODUCT MEETS EUROPEAN UNION DIRECTIVES AND OTHER COUNTRY REGULATIONS AS DESCRIBED IN FCI SPECIFICATION GS-22-008.
 - PACKAGING MEETS FCI SPECIFICATION GS-14-920.
 - HOUSING COMPONENT WILL WITHSTAND EXPOSURE TO 260°C PEAK TEMPERATURE FOR 60 SECONDS IN A CONVECTION, INFRA-RED, OR VAPOR PHASE REFLOW OVEN.
 - COPPER PLATING THICKNESS IN CENTER OF VIA-HOLE CAN BE NO MORE THAN 0.003 LESS THAN OTHER AREAS.
 - A \triangle SYMBOL WILL BE NEXT TO ANY DIMENSION, VIEW, OR NOTE WHICH HAS BEEN MODIFIED WITH THE CURRENT DRAWING REVISION

RECOMMENDED PCB LAYOUT,
COMPONENT SIDE
SCALE 6:1

spec ref	GS-12-220	dr	S Paulgandian	2013/03/11	projection	MM	size	A2	scale	1:1
tolerance std	ASME Y14.5	eng	Suzie Nah	2013/09/06	chr	-	ecn no	ELX-8-15671-1	rel level	Released
surface	✓	appr	Chen-Hong Tan	2013/09/19	product family	-	cat. no.	10124648	rev	C
ASME Y14.5	linear	0.X	±0.3	0.XX	±0.10	0.XXX	±0.050	angular	0°	±2°

Copyright FCI. FCI