

1

2

3

4

5

6

A

B

C

D

A

B

C

D

REV	Description	DATE	BY
v1.0	Initial product release.	Dec 18,2015	Xiangnan.Qu

<b>Seeed Studio</b>		
TITLE: Wio Link v1.0		
CC-BY-SA	Design: Xiangnan Qu	Check:
	Date: 15/12/18 22:05:59	Vision:

1

2

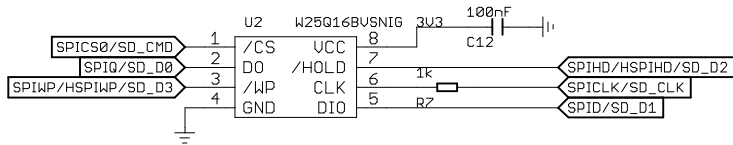
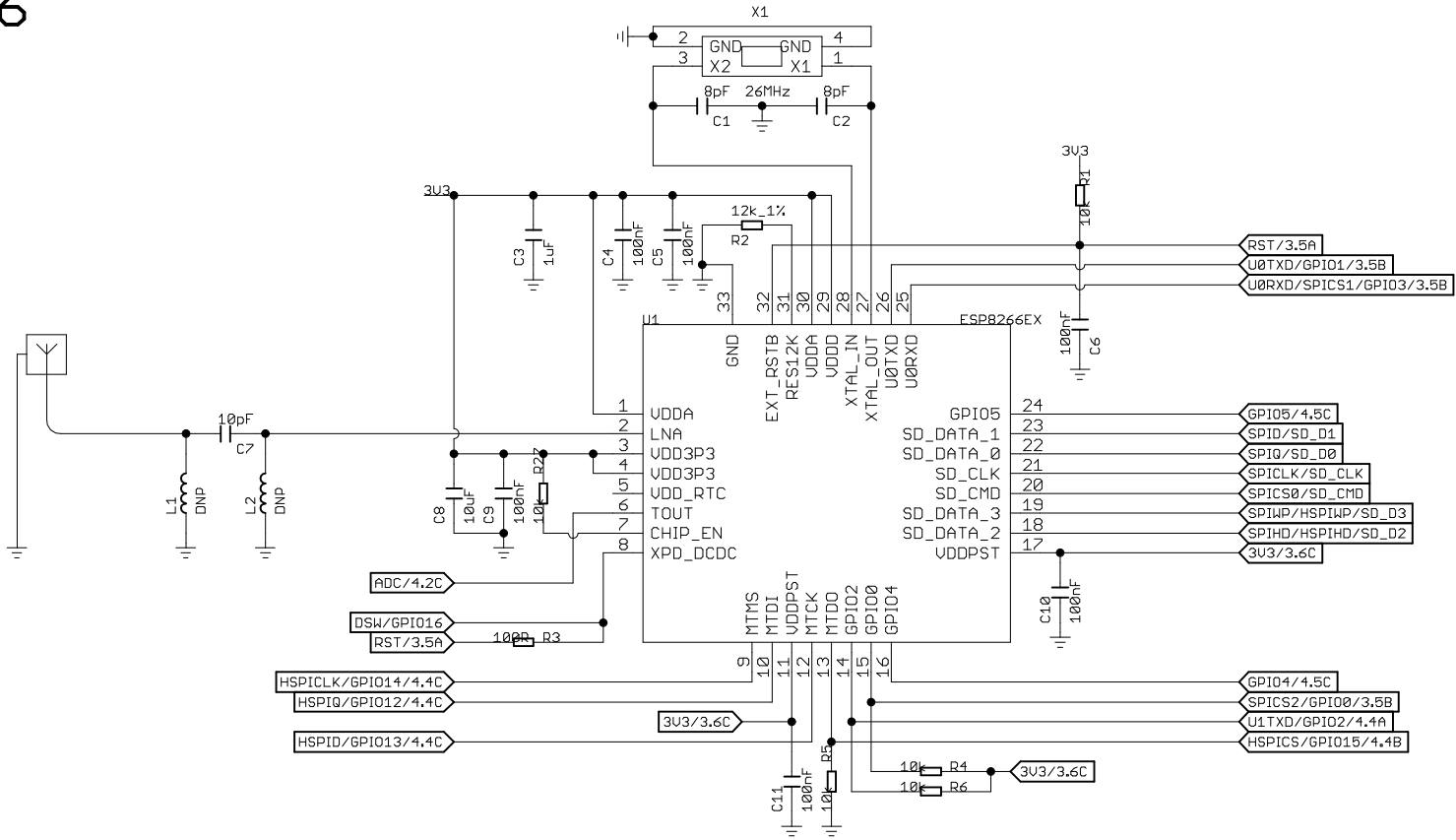
3

4

5

6

# ESP8266



	MTDO	GPIO0	GPIO2
SDIO	1	X	X
UART	0	0	1
FLASH	0	1	1

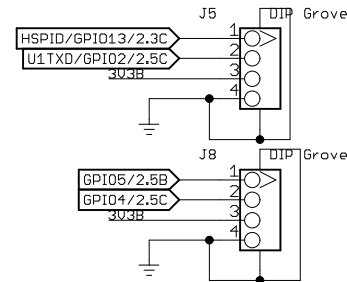
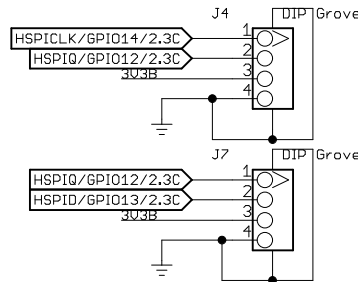
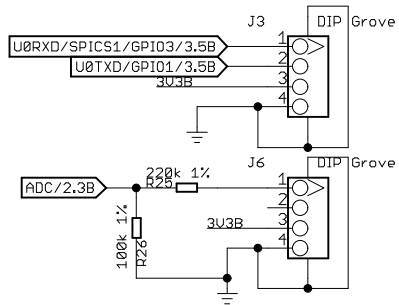
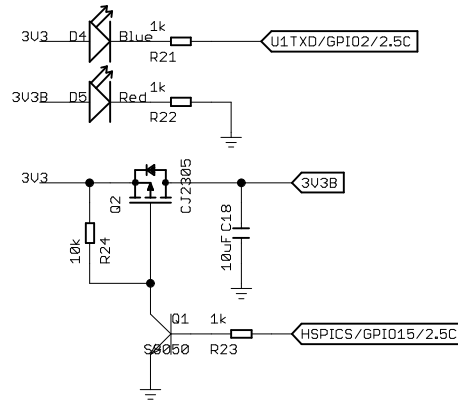
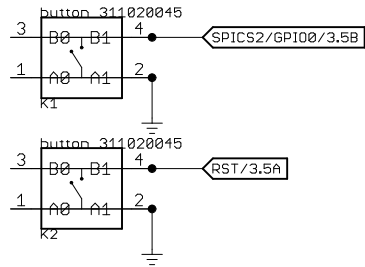
## Seed Studio

TITLE: Wio Link v1.0

CC-BY-SA		Design: Xiangnan Qu	Check:
		Date: 15/12/18 22:10:59	Vision:
			Sheet: 2/4



# I/O



# Seeed Studio

TITLE: Wio Link v1.0

CC-BY-SA

Design: Xiangnan Qu

Check:

Date: 15/12/18 22:10:59

Vision:

Sheet: 4/4