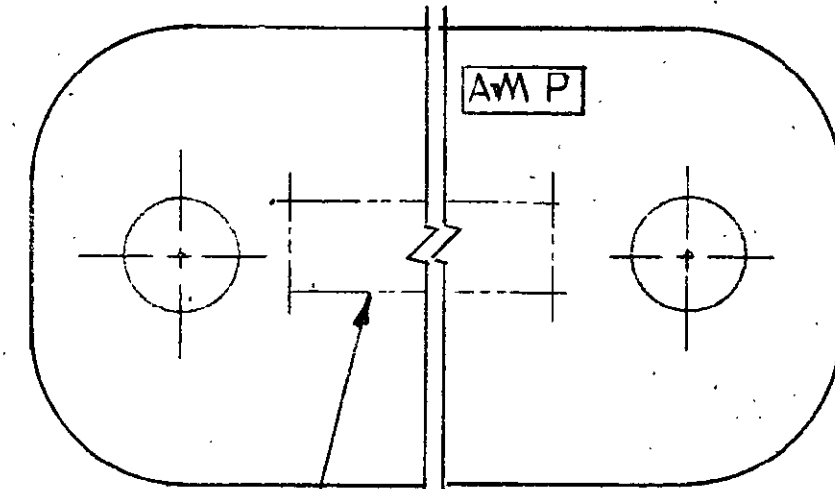
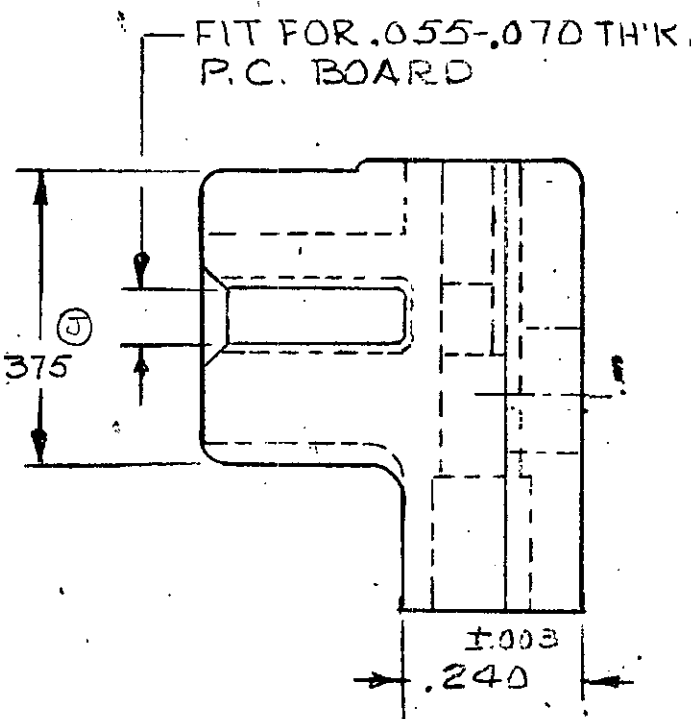
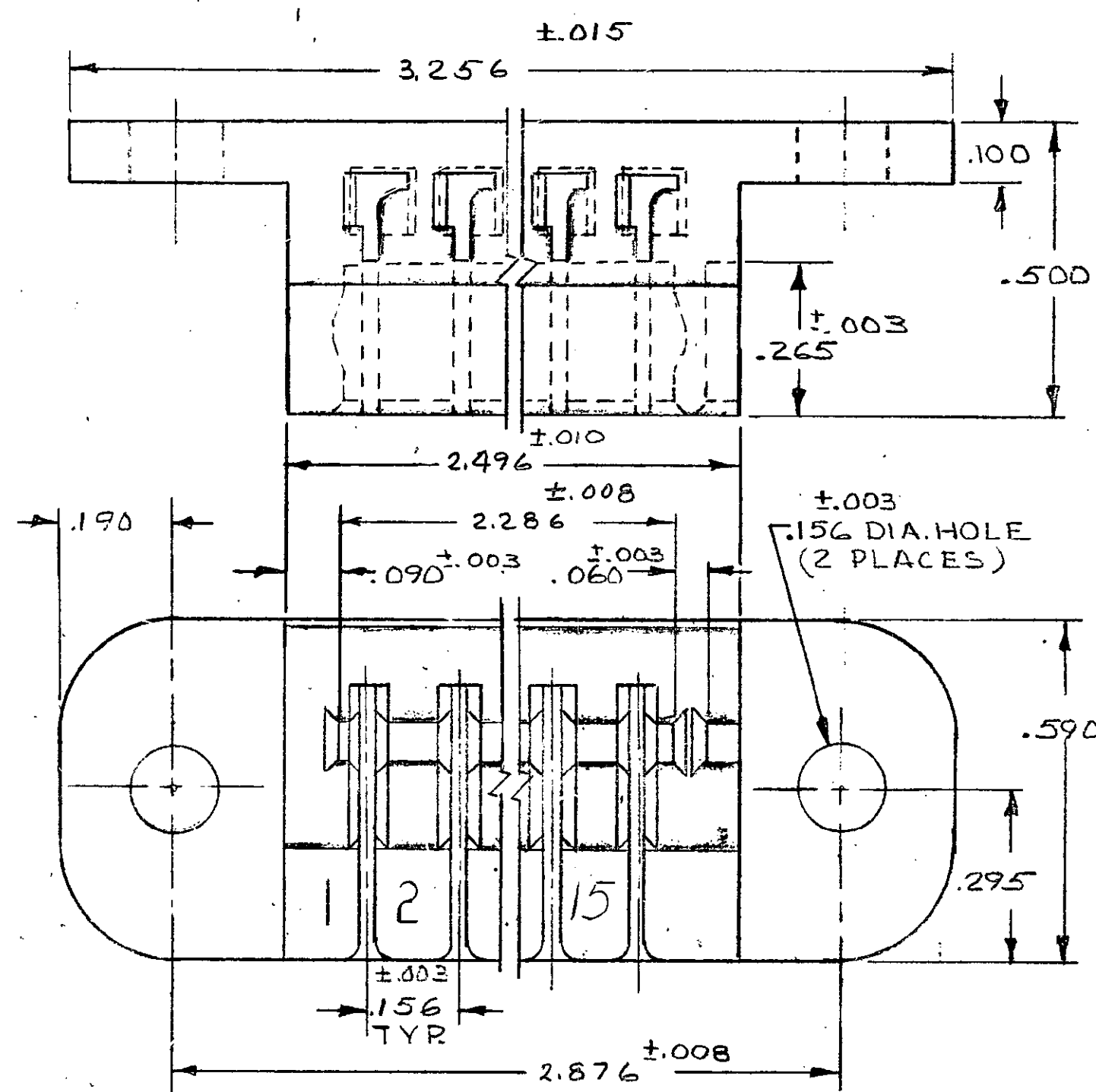


© 1962 BY AMP INCORPORATED. ALL RIGHTS RESERVED. AMP PRODUCTS COVERED BY PATENTS AND/OR PATENTS PENDING.

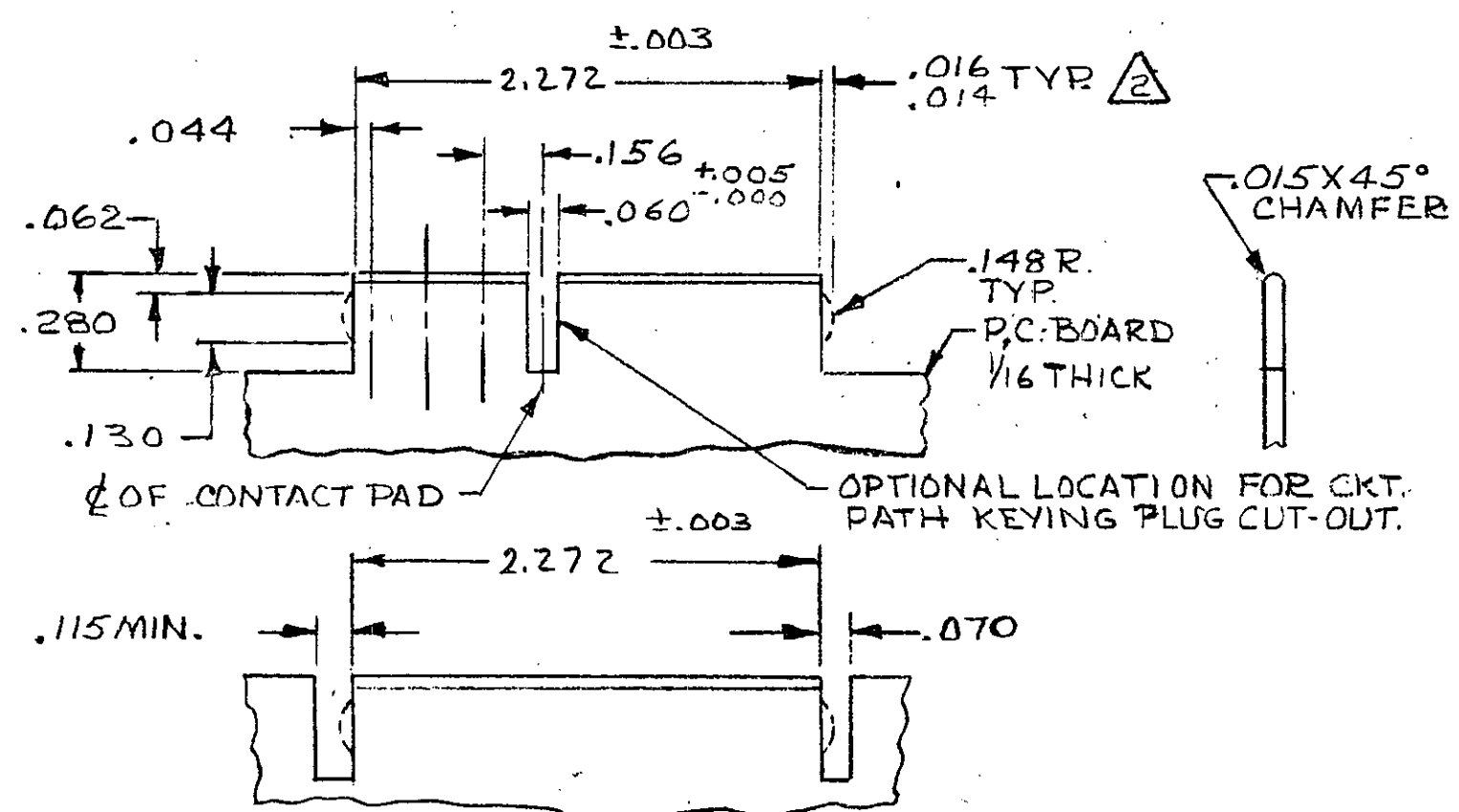
REVISIONS				
ZONE	LTR	DESCRIPTION	DATE	APPROVED
	HI	REDRAWN WITHOUT CHANGE	3388 DR 2-8-72	D.H.
	J	REVISED	3535 m.s. 6-8-72	D.H.
	K	REV. PER AD 1746	8-28-72	ew/RR
	L	REV PER 0010-1143-95	11-95	EP
	M	REV PER EC 0G3C-233-01	03OCT01	MM

PART N ^o .	COLOR.
-582386-1	BROWN
-582386-2	RED
-582386-3	ORANGE
-582386-4	YELLOW
-582386-5	GREEN
-582386-6	BLUE
-582386-7	VIOLET
-582386-8	GRAY
-582386-9	NATURAL
-582386-0	BLACK

OBSOLETE



PART N^o & DATE CODE MARKED OR MOLDED IN THIS AREA. DATE CODE (OPTIONAL)



OPTIONAL CUT-OUTS.

- REFER TO 60215 & 583284 FOR TERMINAL.
- THE RETAINING DIMPLES ARE OPTIONAL IN BOTH CUT-OUTS.
- CARD SLOT AND MOUNTING HOLE DIMENSIONS TO BE CHECKED WITH HOUSING RESTRAINED. (AS MOUNTED)

UNLESS OTHERWISE SPECIFIED, DIMENSIONS ARE IN INCHES TOLERANCES ON : DECIMALS ±.005 ANGLES ±	CONTRACT NO.	 AMP INCORPORATED HARRISBURG, PENNSYLVANIA
	MATERIAL NYLON	
	NAME HOUSING, DUD-TYNE FLAG, WITH MOUNTING HOLES, 15 POSITION	
	DSGN APPD OTHER APPD	SIZE C
		CODE IDENT NO. 00779
		NUMBER 582386
		SCALE 4-1
		SHEET 1 OF 1

CUSTOMER DRAWING

LOC AD

DIST 00

NUMBER 582386