

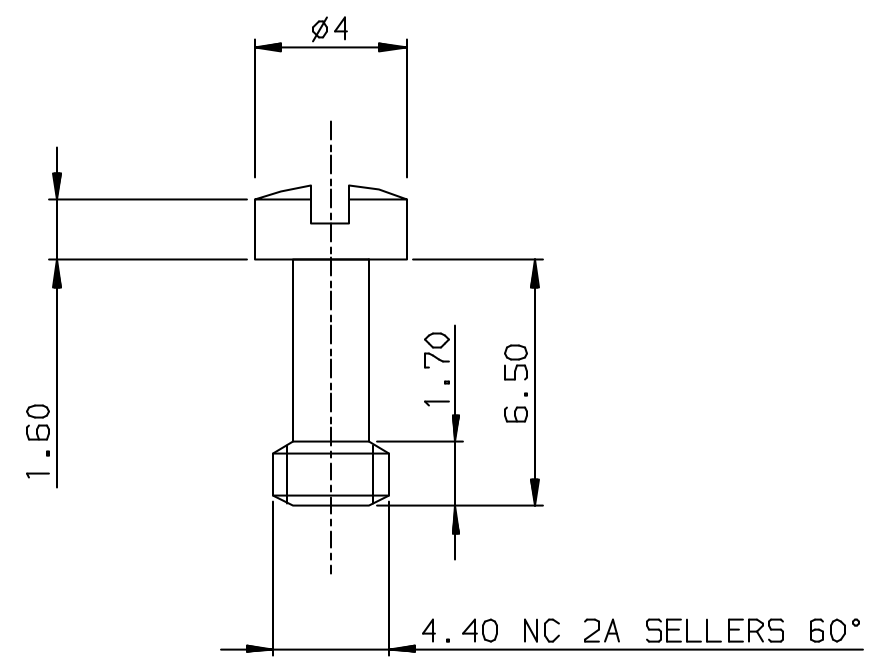
Tous droits strictement reserves. Reproduction ou communication a des tiers interdite sous quelque forme que ce soit sans autorisation écrite du proprietaire. Property of FCI. Copyright FCI.

FCI

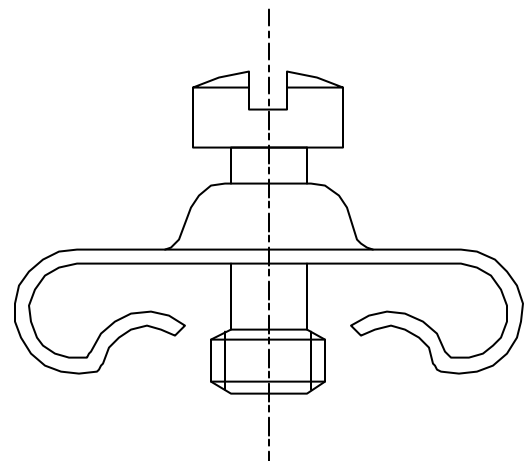
All rights strictly reserved. Reproduction or issue to third parties in any form whatever is not permitted without written authority from the proprietor. Property of FCI. Copyright FCI.

NOTES

Pieces assembly
 Packaging : per 100 piece
 Material : steel
 Thread : UNC 4.40



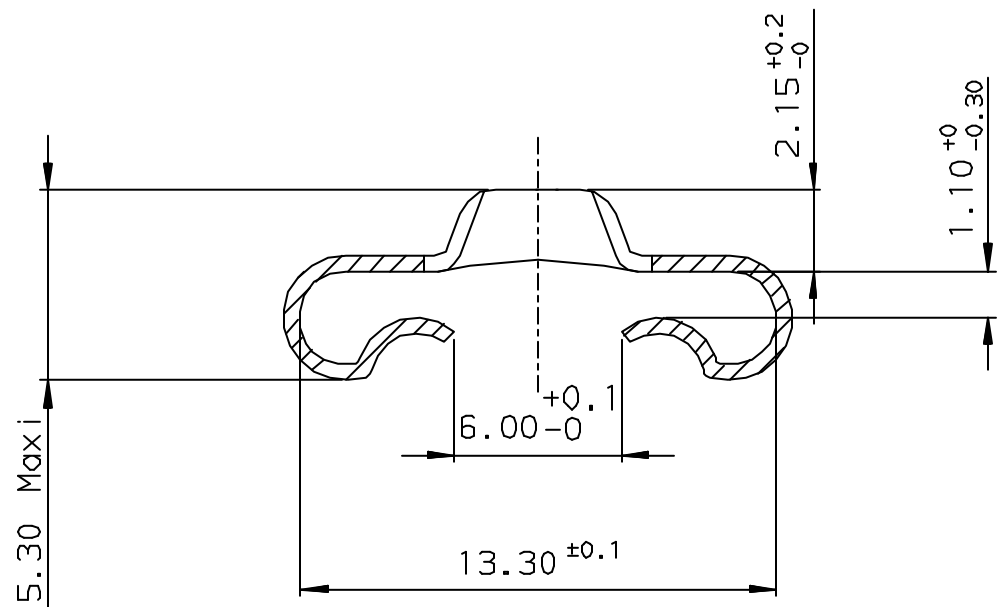
VUE ASSEMBLE



Part number **863005ALF**

NOTE1:RoHS INFORMATIONS

- The "LF" product meets European union Directives and other country regulations as described in GS-22-008.
- The product is not intended to be exposed to a manufacturing solder process.
- Plating: Zinc Cr3+, white color.
- Packaging spec: see GS-14-920.



European view

FCI www.fciconnect.com		ISO 1302	tolerance ISO 406 ISO 1101	projection 	mm
Dr	GOISNARD	12/01/06	Product family	D-SUB 571	size
Eng	PESSON	12/01/06	Spec ref	-	A3
Chr	LEGARE	12/01/06	Material	SEE NOTES	ECN
Appr	LEGARE	12/01/06			LS05-0123
title			MALE SCREWLOCK FOR HOUSINGS		dwg no
title			9 TO 25 Pts (P ET S)		
catalog no			-		Rev.
			CUSTOMER COPY		A
			sheet 1 of 1		

Ltr	ecn no	dr	date
A	LS05-0123	LGO	12/01/06
-	-	-	-
-	-	-	-
-	-	-	-
-	-	-	-
-	-	-	-