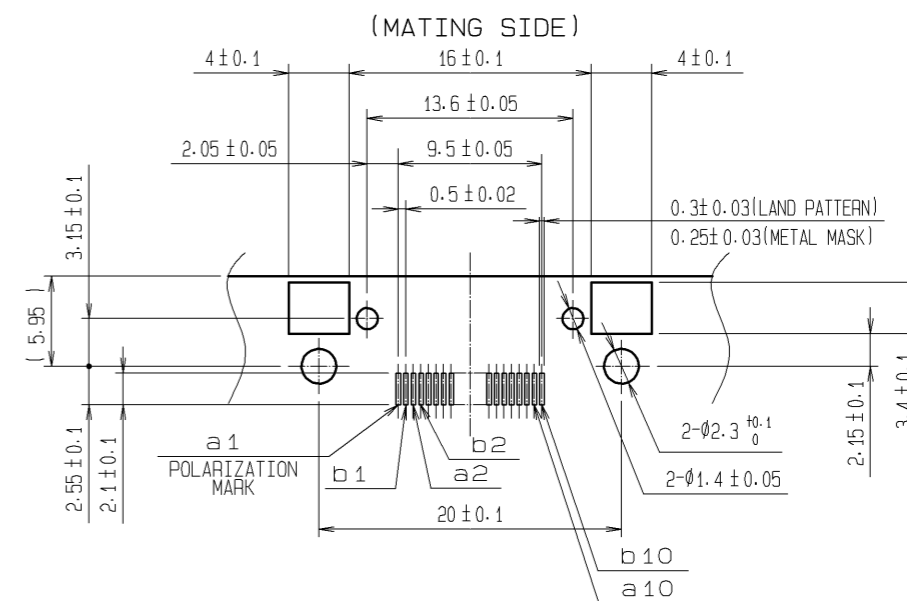
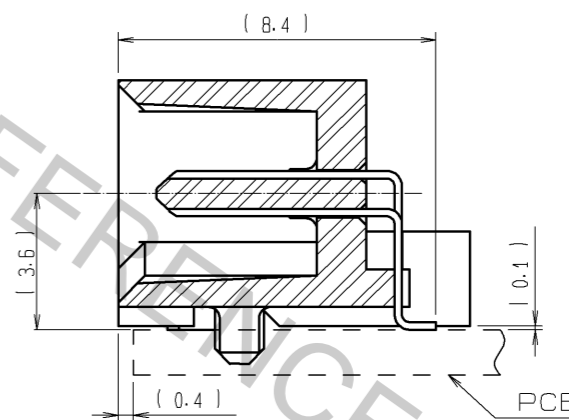


RECOMMENDED LAND PATTERN DIMENSION OF PCB(MOUNTING SIDE)



A-A (5:1)



- NOTES
1. LEAD CO-PLANARITY INCLUDING REINFORCED METAL FITTINGS TO BE 0.1 MAX.
 2. NOTE THAT THE REFERENCE TIGHTENING TORQUE IS 0.15 N·m.
 3. THE DIMENSIONS IN PARENTHESES ARE FOR REFERENCE.

4	BRASS	TIN-PLATING	2, 3	BRASS	CONTACT AREA: GOLD 0.1µm min.		
1	POLYAMIDE	BEIGE UL94V-0			LEAD AREA: TIN-PLATING 1µm min.		
					UNDER PLATING: NICKEL 1µm min.		
NO.	MATERIAL	FINISH . REMARKS	NO.	MATERIAL	FINISH . REMARKS		
UNITS		SCALE	COUNT	DESCRIPTION OF REVISIONS	DESIGNED	CHECKED	DATE
mm		2 : 1					
HRS HIROSE ELECTRIC CO., LTD.		APPROVED : HS. OKAWA	07. 10. 30	DRAWING NO.	EDC3-151380-21		
		CHECED : HS. OZAWA	07. 10. 30	PART NO.	FX5-20P-SH(71)		
		DESIGNED : SY. KAMIGA	07. 10. 30	CODE NO.	CL575-0001-7-71		
		DRAWN : HK. SUNADORI	07. 10. 26				