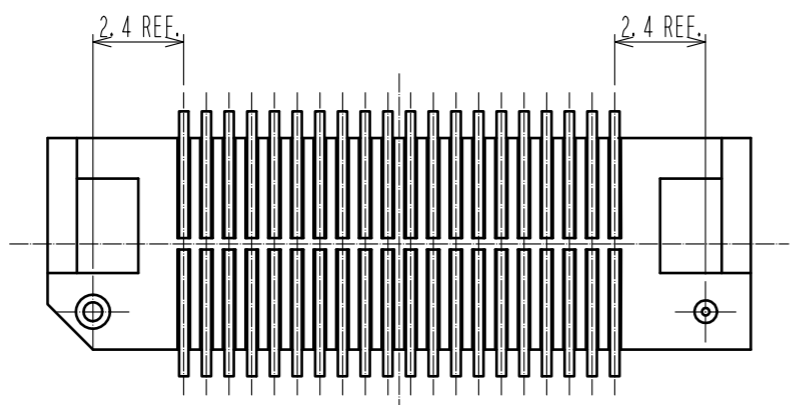
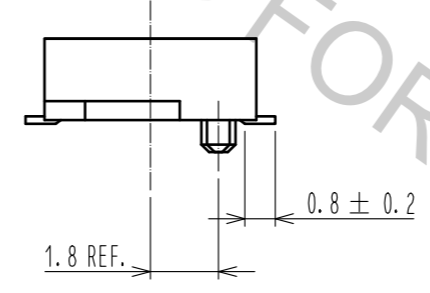
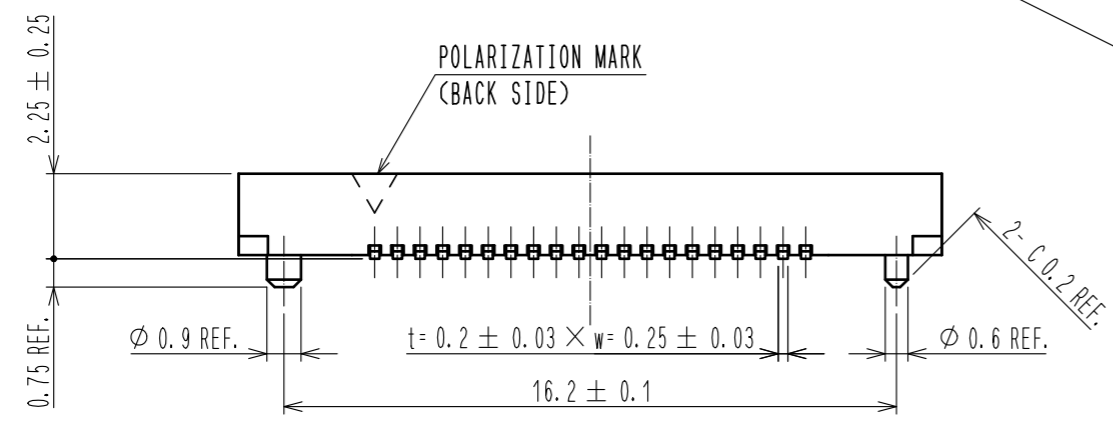
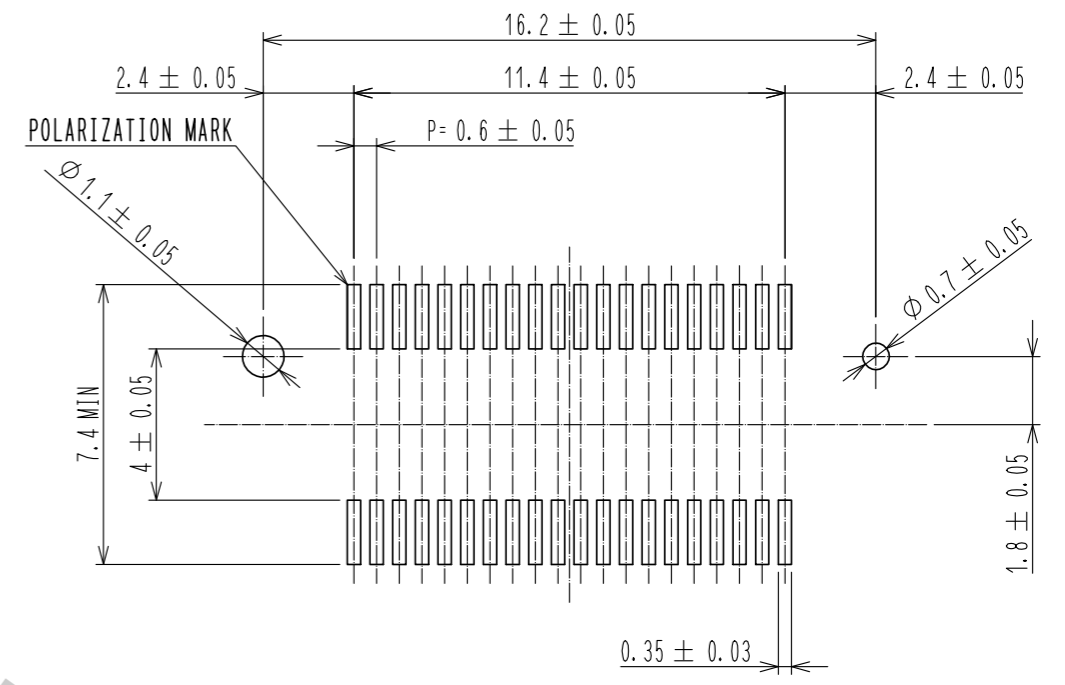


RECOMMENDED LAND PATTERN DIMENSION OF PCB



- NOTE
1. SMT LEAD-COPLANARITY:0.1 MAX.
  2. EMBOSS CARRIER TAPE PACKAGE IS APPLIED ON THIS PRODUCT. PLEASE REFER TO THE SHEET 2/2 FOR THE DETAILS.
  3. FOR MODIFICATION, ETC., PREVENTIVE HOLE FOR SINK MARK MAY BE ADDED ACCORDING TO CIRCUMSTANCES.

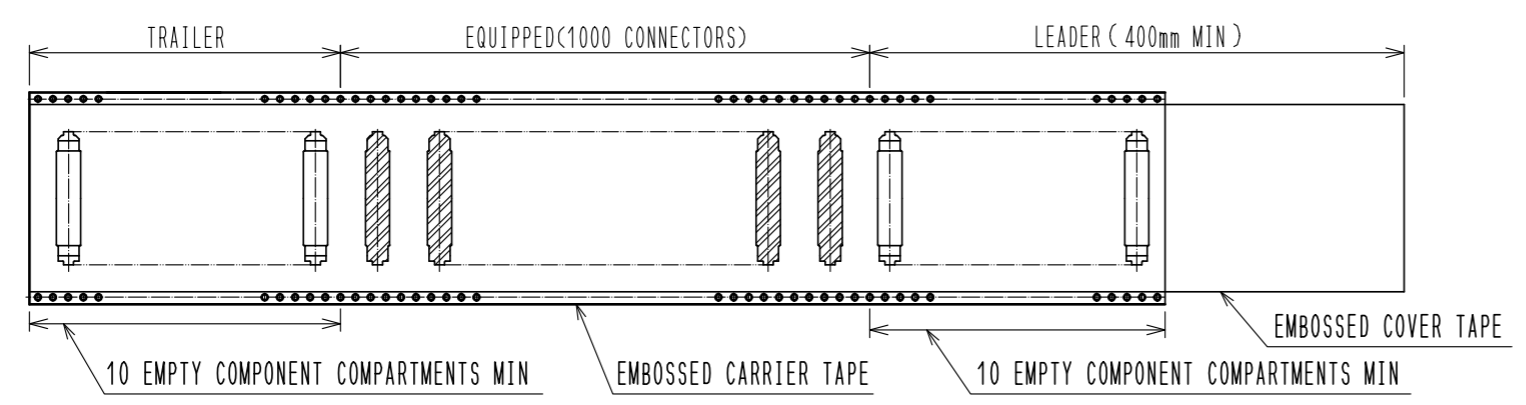
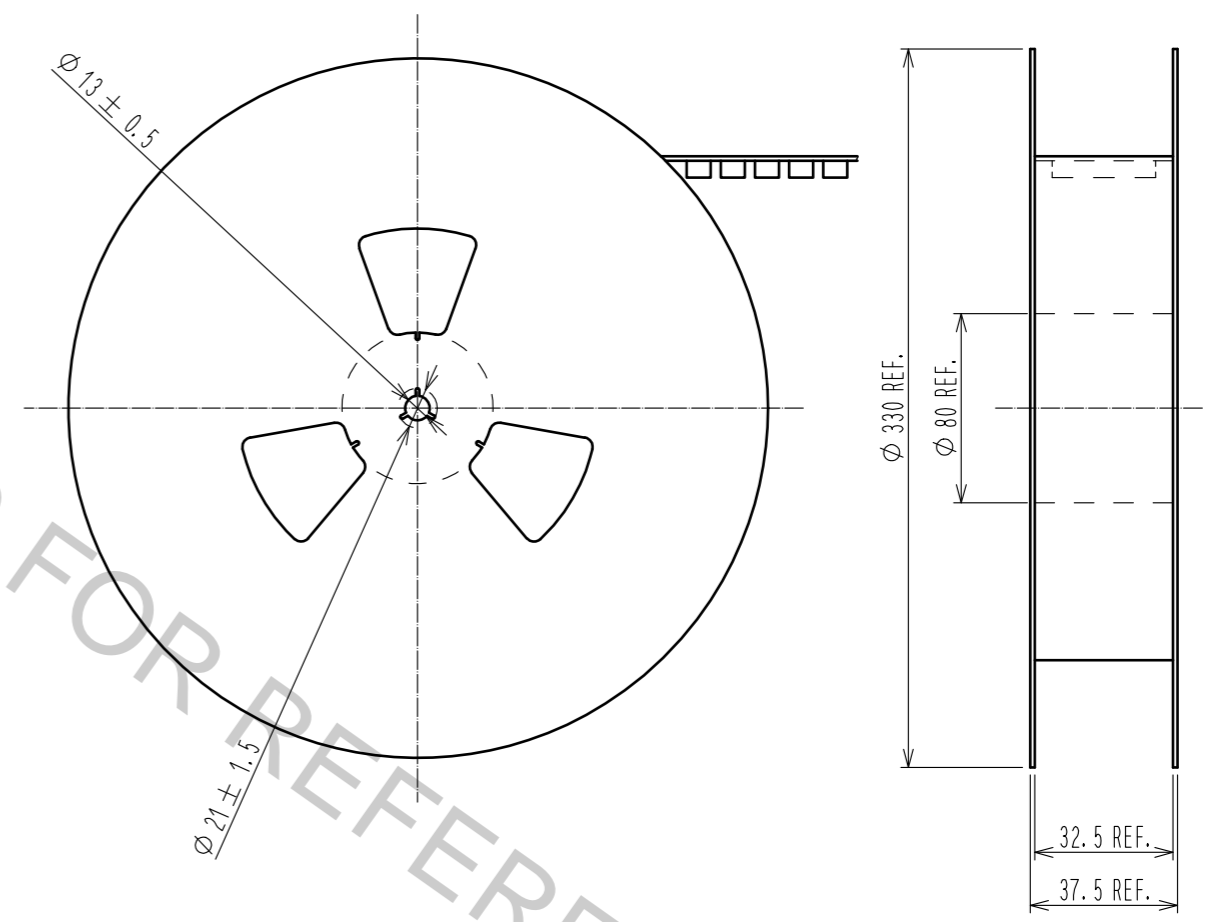
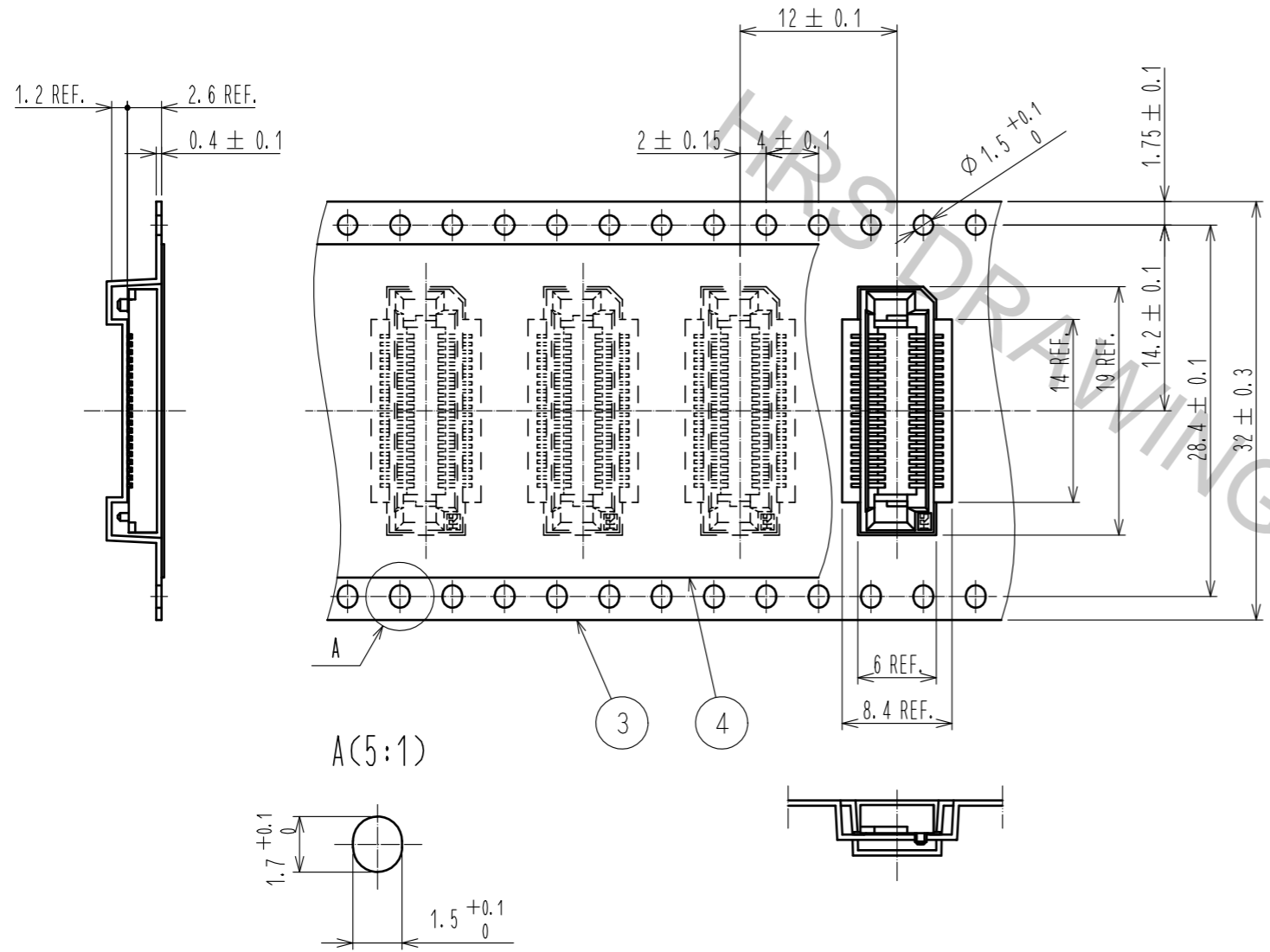
4	PS	TOP COVER TAPE
3	PS	EMBOSS CARRIER TAPE
2	PHOSPHOR BRONZE	CONTACT: GOLD PLATING 0.1μm MIN LEAD : GOLD PLATING 0.03μm MIN UNDER :NICKEL PLATING 1.5μm MIN

1	PPS	LIGHT BROWN, UL94V-0							
NO.	MATERIAL	FINISH	REMARKS	NO.	MATERIAL	FINISH	REMARKS		
UNITS	mm	SCALE	5:1	COUNT	DESCRIPTION OF REVISIONS		DESIGNED	CHECKED	DATE
<b>HRS</b> HIROSE ELECTRIC CO., LTD.		APPROVED	:NH. NAKATA	16.11.21	DRAWING NO.		EDC-150990-22-00		
		CHECKED	:HT. YAMAGUCHI	16.11.21	PART NO.		FX8-40S-SV(22)		
		DESIGNED	:MT. ITANO	16.11.21	CODE NO.		CL578-0209-7-22		
		DRAWN	:MT. ITANO	16.11.21			1/2		

DRAWING FOR PACKING(2:1)

THE DIRECTION OF PULLING OUT 

REELED DIMENSION (FREE)



NOTE 4. 1 REEL: 1000 CONNECTORS.

Apr.1.2017 Copyright 2017 HIROSE ELECTRIC CO., LTD. All Rights Reserved.