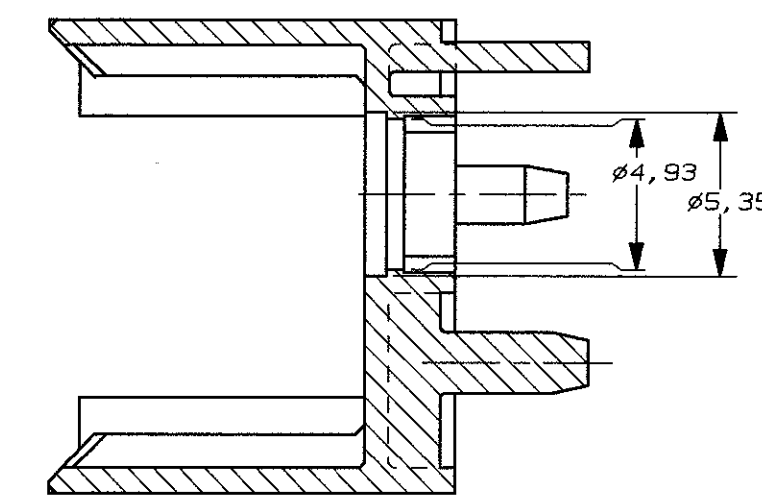
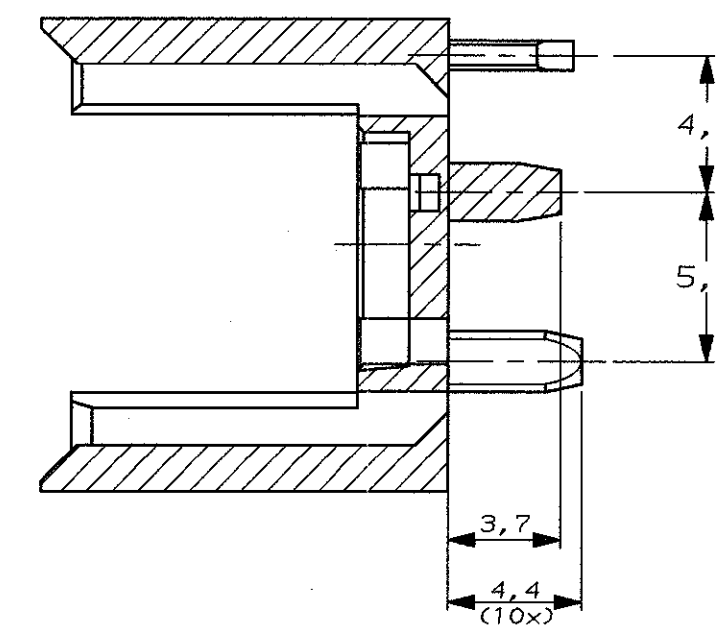
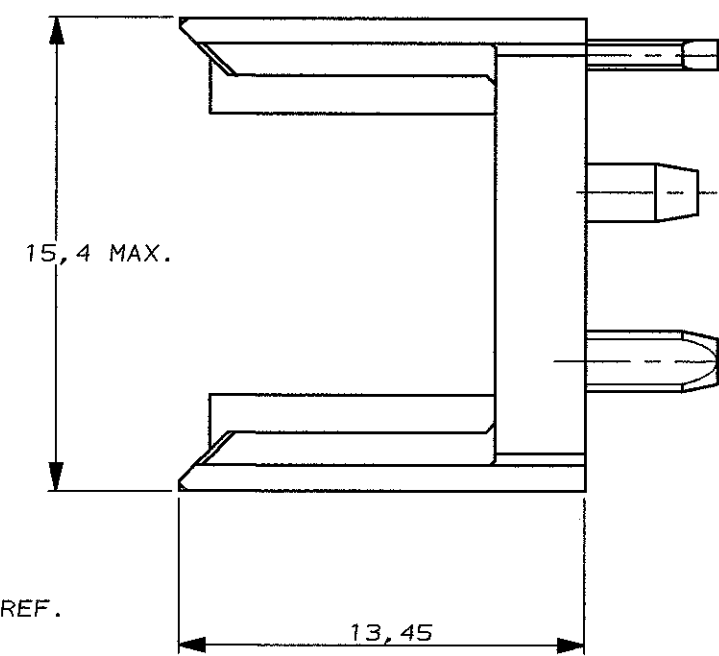
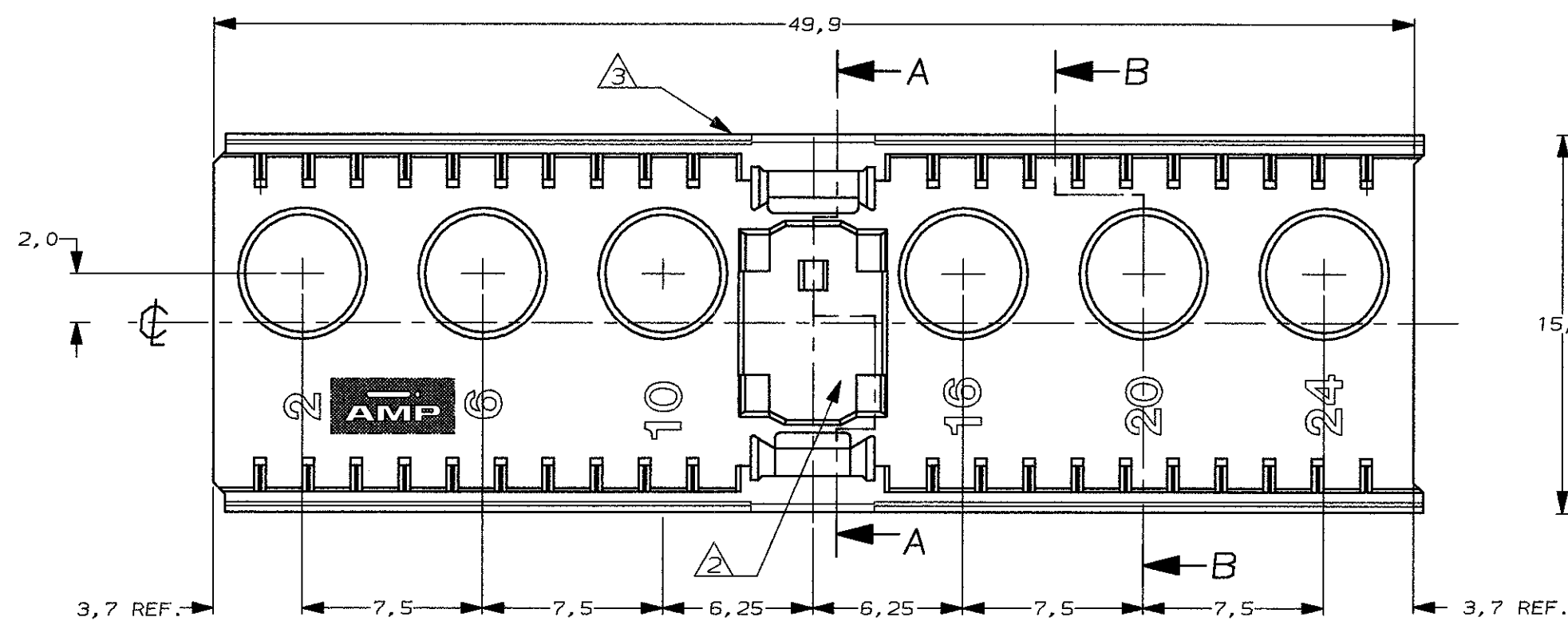


DO NOT SCALE  
DIMENSIONS IN mm

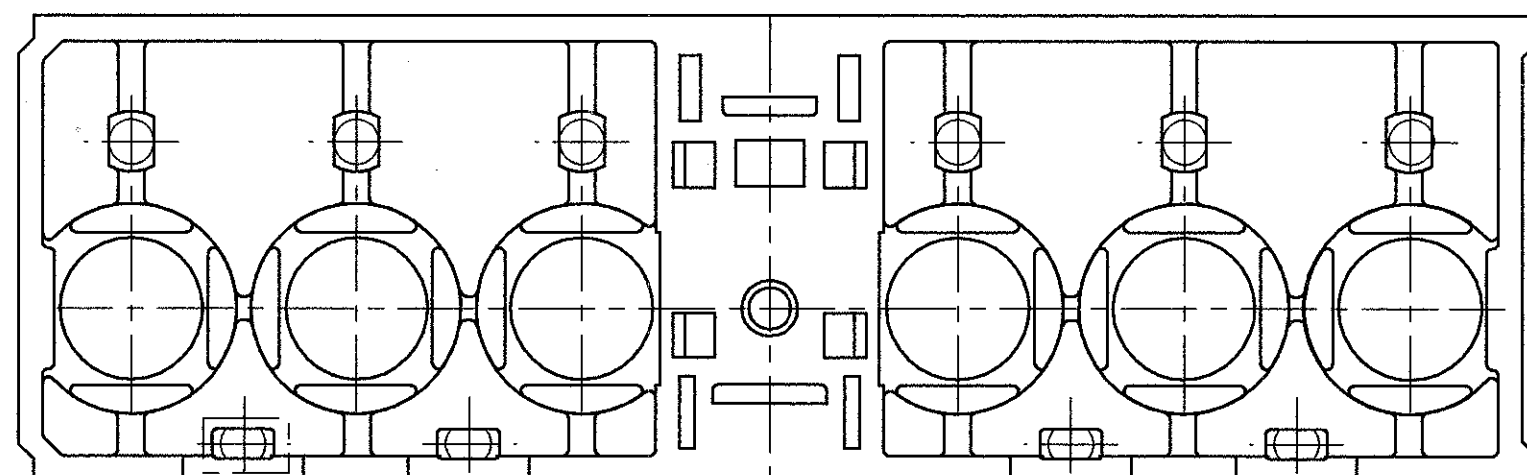
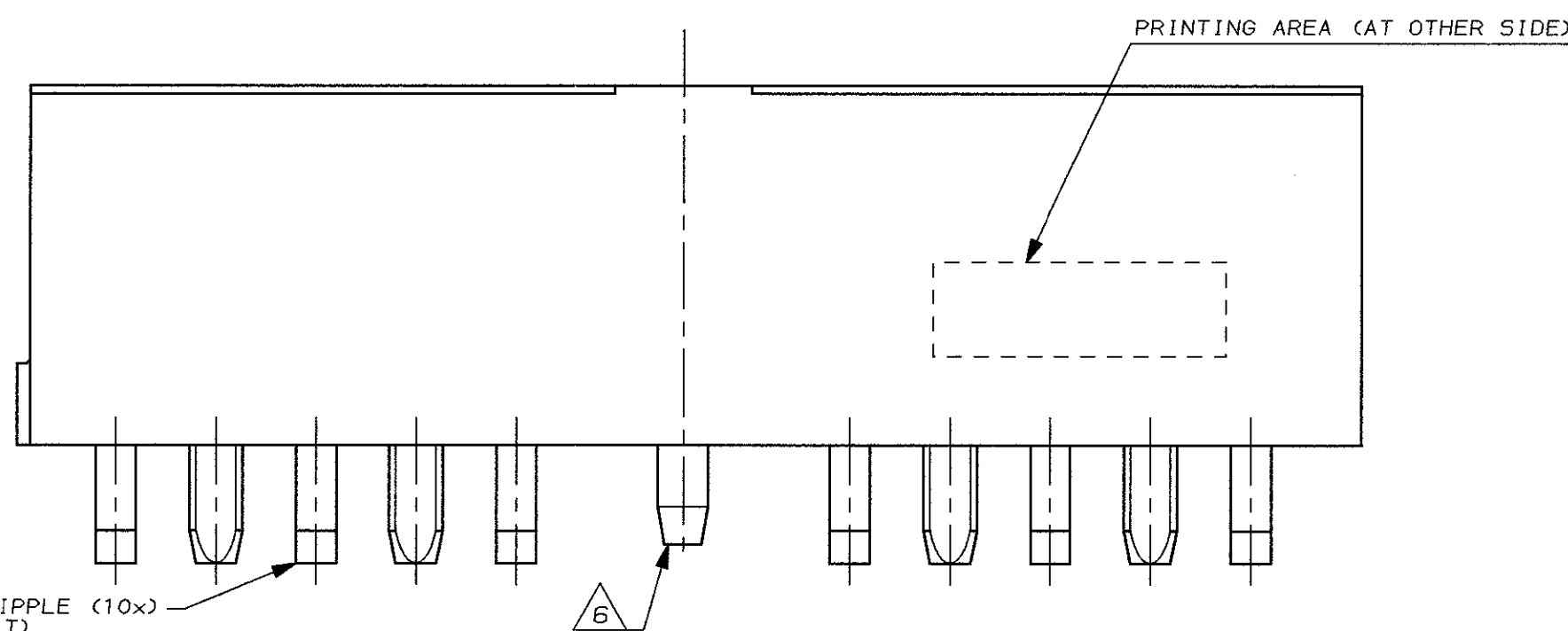
METRIC

THIRD ANGLE  
PROJECTION



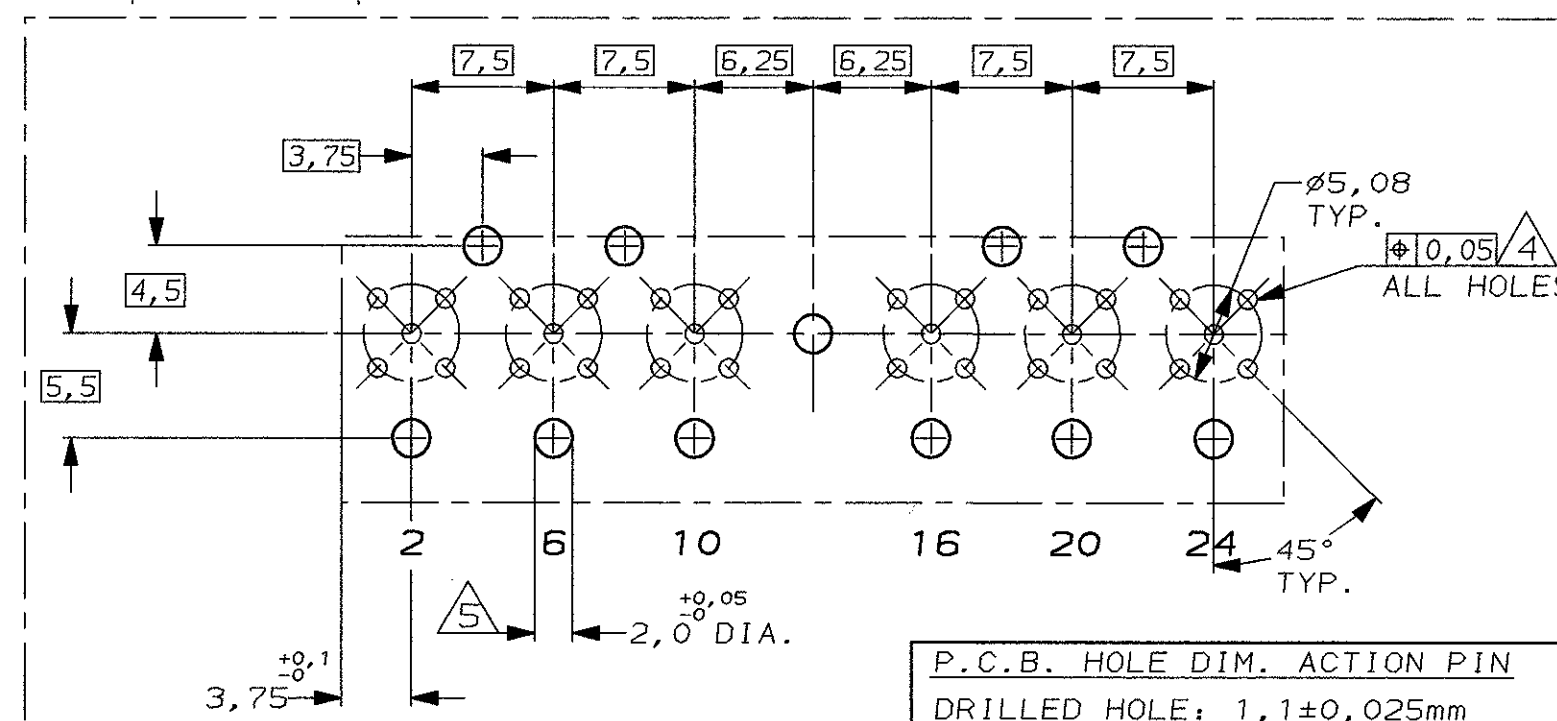
SECTION A-A

SECTION B-B



NOTES:

- 1 MATERIAL HOUSING : GREY GLASSFILLED POLYESTER UL-RATING 94V $\phi$
- 2 AREA RESERVED FOR KEYING PART (BASIC P/N 100525).
- 3 CONNECTOR PRINTED WITH PARTNUMBER AND DATECODE.
- 4 PLATED-THROUGH HOLES AT 2x2mm SQUARE GRID. TOTAL 30 HOLES.
- 5 NOT PLATED-THROUGH HOLES (11x).
- 6 LOCATION PEG.



RECOMMENDED P.C.B.-HOLE LAY-OUT  
COMPONENT SIDE SHOWN

P.C.B. HOLE DIM. ACTION PIN	
DRILLED HOLE:	1,1 ± 0,025mm
FIN. HOLE :	0,95 TO 1,05mm
Cu-thks :	0,025 TO 0,050mm
SnPb-thks :	0,004 TO 0,010mm

PRELIMINARY

FINISH		MATERIAL		PARTNUMBER	
-	-	-	-	-	352241-1
<b>CUSTOMER DRAWING</b>					
FOR REFERENCE ONLY WILL NOT BE UPDATED					
© COPYRIGHT 1997 BY AMP HOLLAND B.V. ALL INTERNATIONAL RIGHTS RESERVED. AMP PRODUCTS MAY BE COVERED BY U.S. AND FOREIGN AND/OR PATENTS PENDING.					
THIS DRAWING IS UNPUBLISHED					
RELEASED FOR PUBLICATION					
<b>AMP</b>				AMP HOLLAND B.V. s-Hertogenbosch, The Netherlands.	
A	EH-0837-97	DT	FvK	01-JUL-97	NAME
O	EH-0112-97	DT	FvK	05-FEB-96	Z-PACK 2mm HM TYPE L
LTR.	REVISION RECORD	DR.	CHK.	DATE	MALE CONNECTOR HOUSING
					FOR PRESS-FIT COAX CONTACTS
DR.:	D. TRUREN	CHK.:	D. TRUREN	APP.:	F.v.KONINGSBRUGGE
DATE:	05-FEB-96	DATE:	05-FEB-96	DATE:	05-FEB-96
				DWG. No.	C-352241
				REV. LTR.	SHEET
				A	1 OF 1