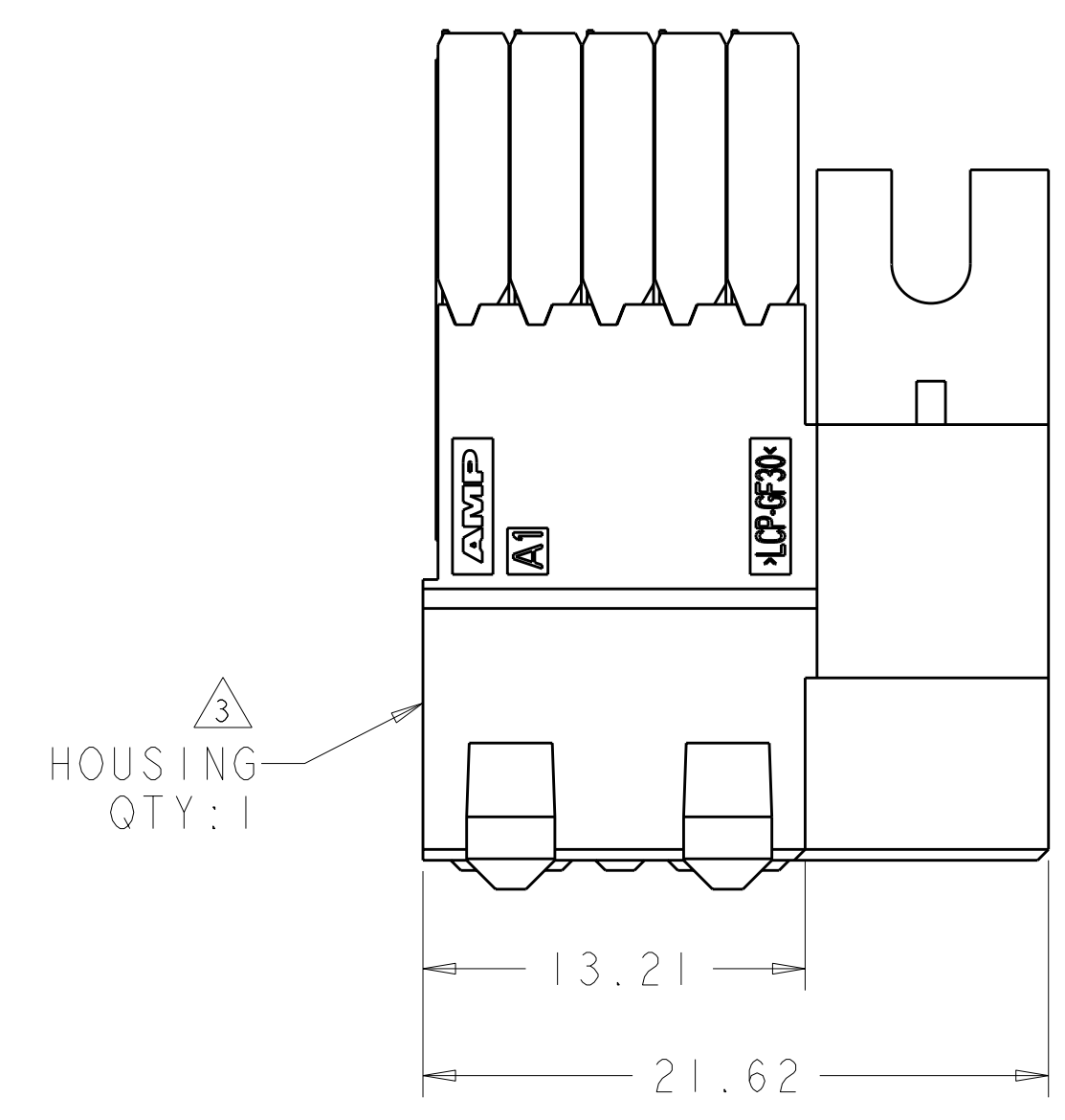
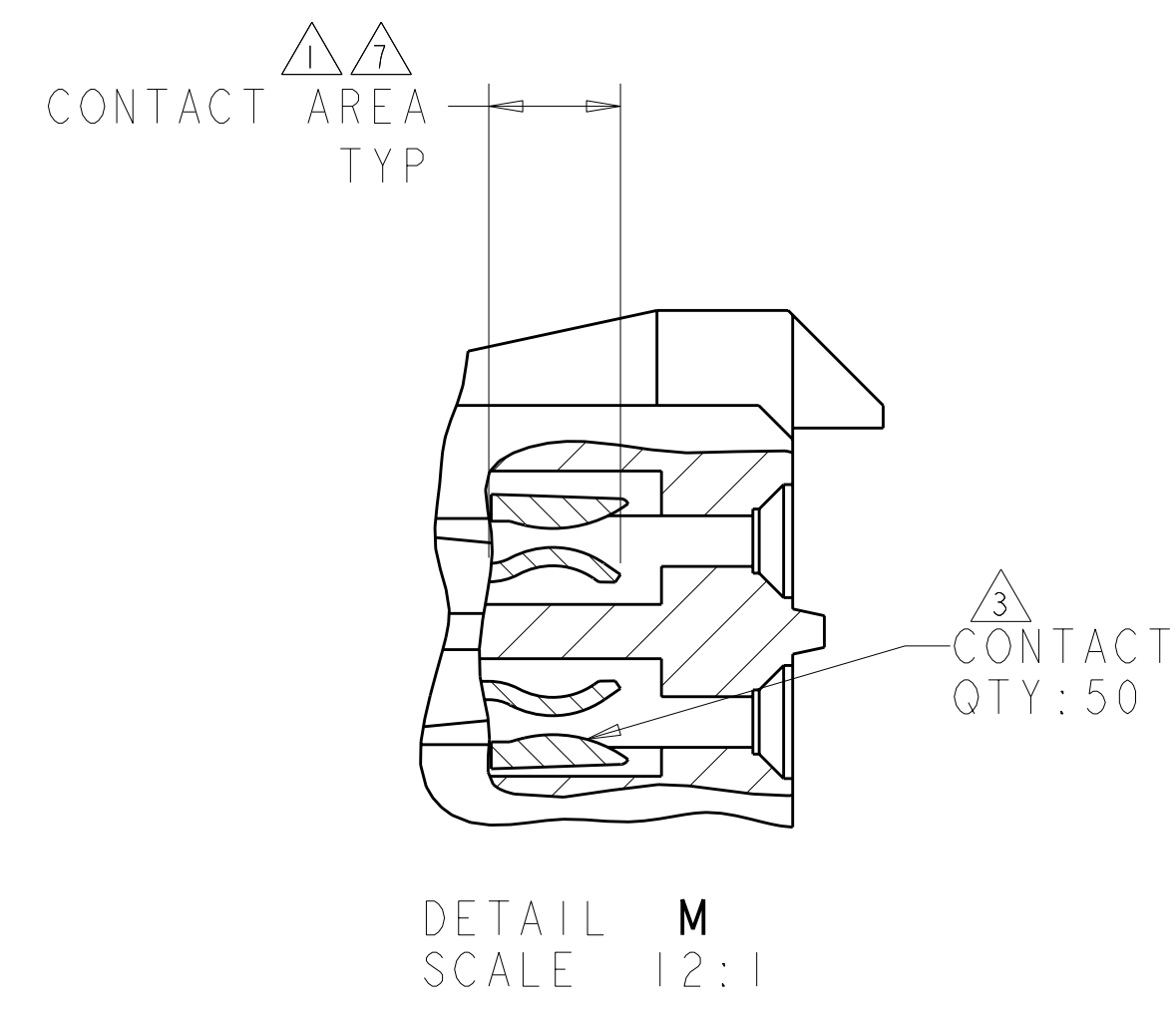
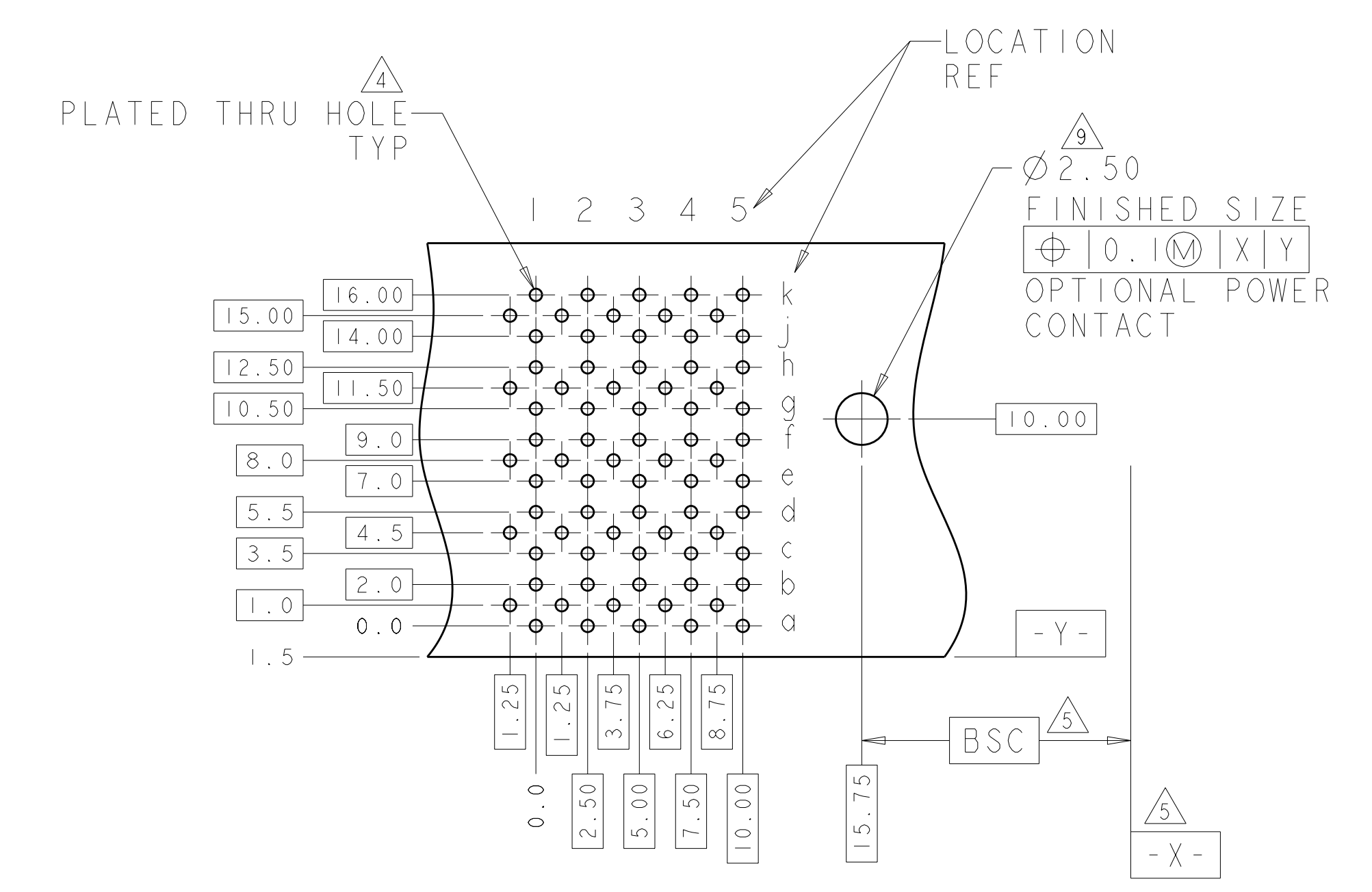
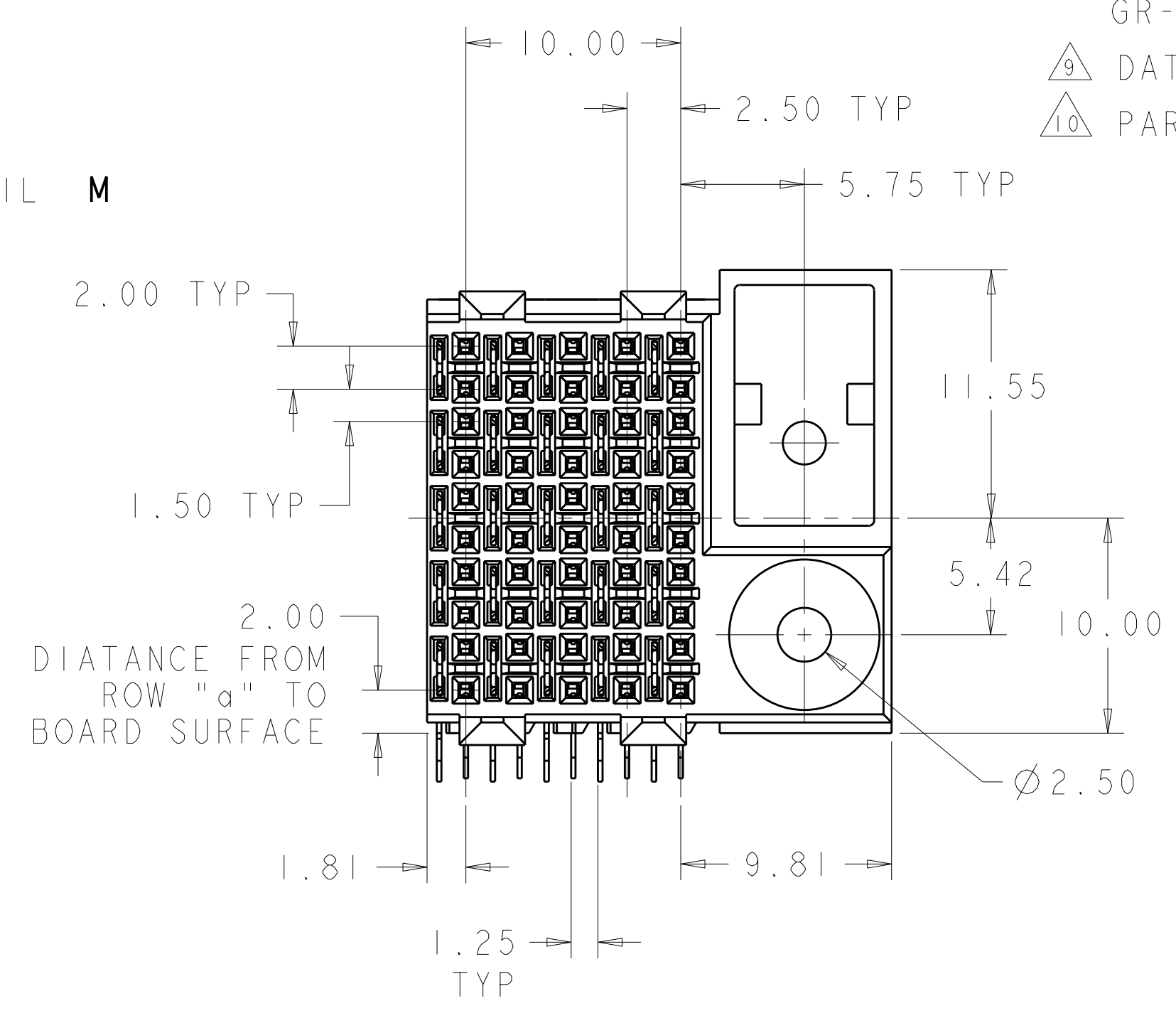
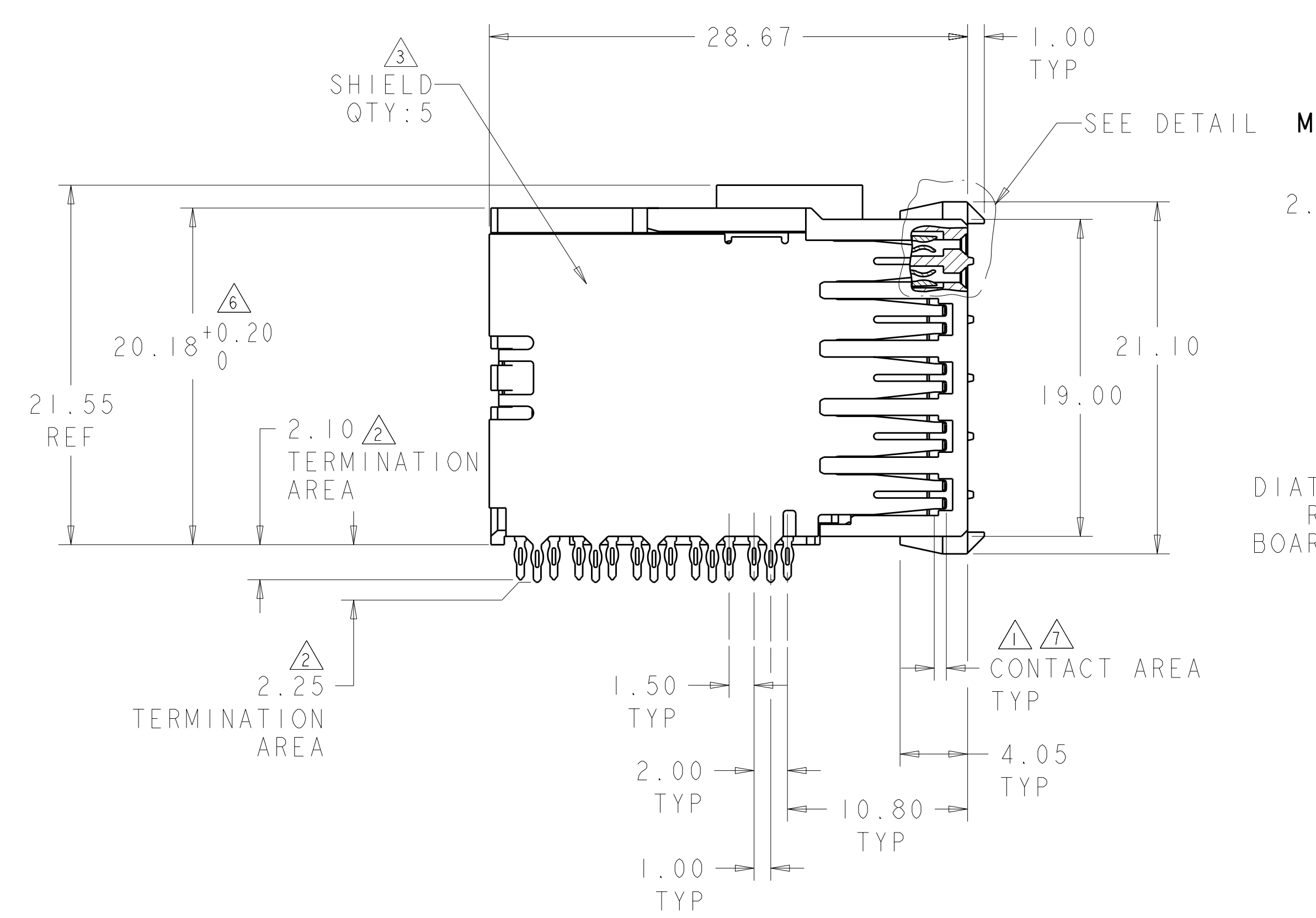


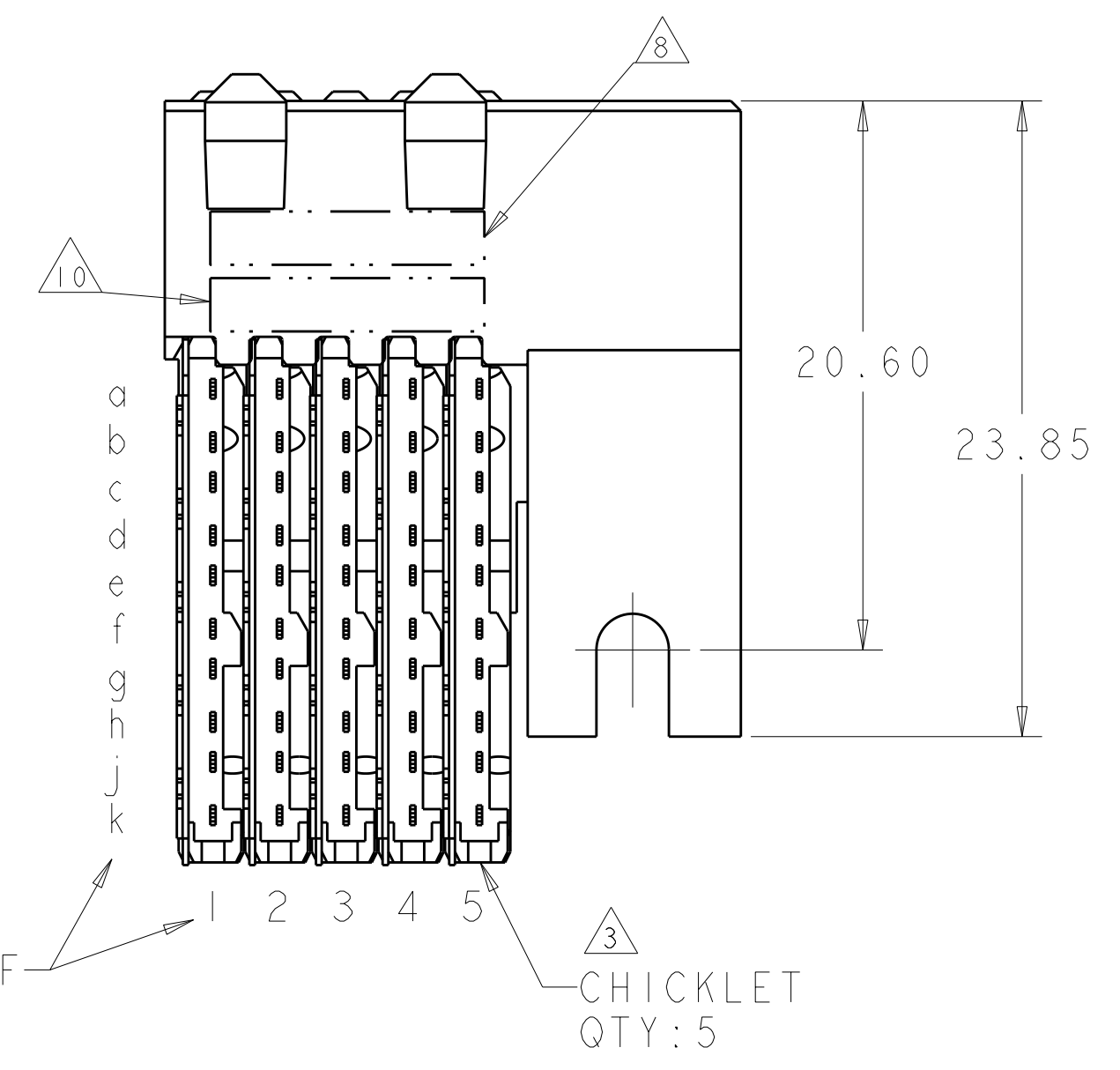
REVISONS		DATE	DWN	APVD
AD	00	13JUL2011	HMR	MH
A		REVISED PER ECO-11-013132		



- △ CONTACT MATING AREA MEETS THE PERFORMANCE REQUIREMENTS OF TE CONNECTIVITY PRODUCT SPECIFICATION 108-1957; BASED ON TELCORDIA GR-1217-CORE, APPLICATIONS IN UNCONTROLLED ENVIRONMENTS.
- △ 0.76µm MIN TIN OVER 1.27µm MIN NICKEL
- △ MATERIAL: CONTACT - COPPER ALLOY  
SHIELD - PHOSPHOR BRONZE  
HOUSING - LCP, UL94V-0  
CHICKLET - GLASS FILLED POLYESTER
- △ REFERENCE APPLICATION SPEC 114-13020 FOR RECOMMENDED PLATED THRU HOLE DIAMETER AND PLATING THICKNESS.
- △ DATUM AND BASIC DIMENSION ESTABLISHED BY CUSTOMER.
- △ SEATING HEIGHT TO BOARD SURFACE.
- △ CONTACT AREA LUBRICATED WITH BELLCORE APPROVED LUBRICANT. TECHNICAL REFERENCE: GR-1217-CORE, ISSUE 1, NOVEMBER 1995.
- △ DATE CODE
- △ PART NUMBER



RECOMMENDED PRINTED  
 CIRCUIT BOARD LAYOUT  
 COMPONENT SIDE OF PRINTED CIRCUIT BOARD



5120792-1  
 PART NUMBER

THIS DRAWING IS A CONTROLLED DOCUMENT.		DWN: B. CARBO 08DEC04	TE Connectivity
DIMENSIONS: mm		CHK: R. PATTERSON 08DEC04	
TOLERANCES UNLESS OTHERWISE SPECIFIED:		APVD: R. PATTERSON 08DEC04	NAME: RECEPTACLE ASSEMBLY, 50 POSITION ESD/POWER/GROUND PIN, RIGHT HAND, 10 ROW, DUAL BEAM, Z-PACK HS3
0 PLC ±0.2 1 PLC ±0.13 3 PLC ±0.05 4 PLC ±0.05 ANGLES ±°		PRODUCT SPEC: 108-1957	
MATERIAL: SOLDER TAIL CONTACT		APPLICATION SPEC: 114-13020	SIZE: CAGE CODE DRAWING NO: A100779C-5120792
FINISH: SOLDER TAIL CONTACT		WEIGHT: -	RESTRICTED TO: -
CUSTOMER DRAWING		SCALE: 4:1	SHEET 1 OF 1 REV A