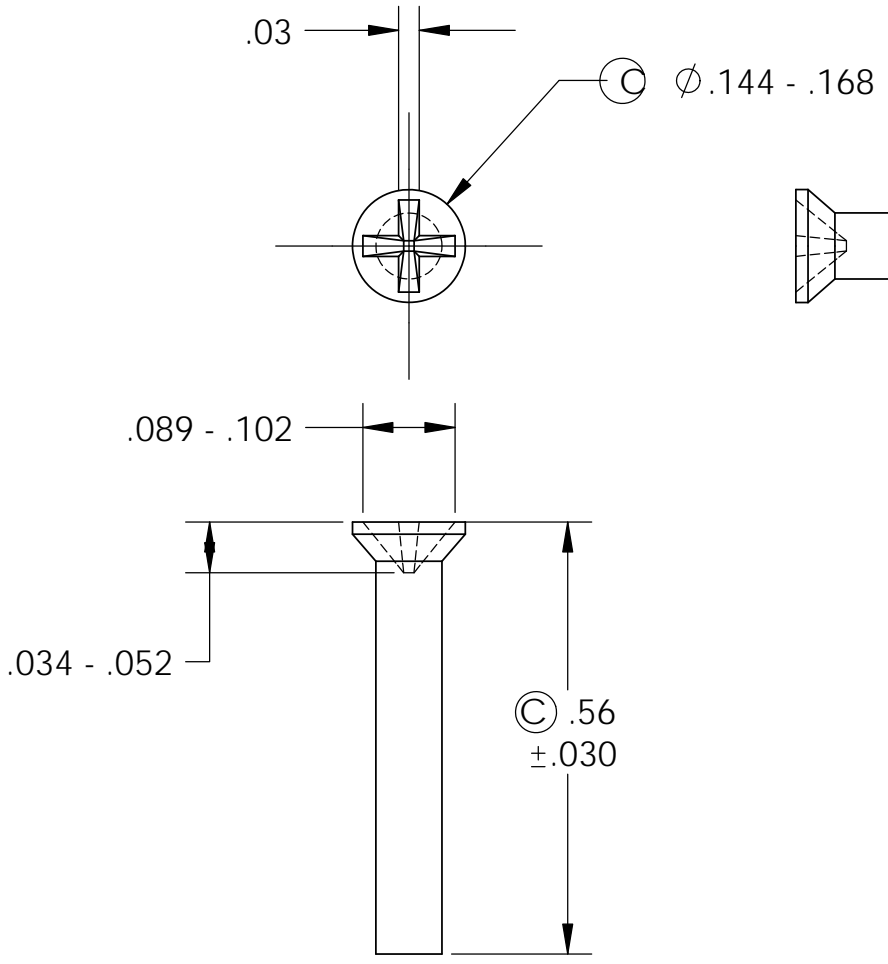
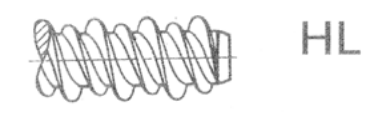


THE INFORMATION CONTAINED IN THIS DRAWING IS THE SOLE PROPERTY OF SERPAC. ANY REPRODUCTION IN PART OR WHOLE WITHOUT THE WRITTEN PERMISSION OF SERPAC IS PROHIBITED.

No.	REVISION	DATE
B	Change to H/L and to 9/16" length	3/05
C	Head diameter change from .162" to .168" max.	12/05



Detail of screw point and thread



UNLESS OTHERWISE SPECIFIED DIMENSIONS ARE IN INCHES. TOLERANCES ARE:
 FRACTIONS: $\pm 1/8"$
 DECIMALS: .XX .XXX $\pm 1/2"$
 ANGLES: $\pm 1/2"$
 .01 $\pm .005$
 MATERIAL: Steel Black Oxide
 DO NOT SCALE DRAWING

CAD GENERATED DRAWING, DO NOT MANUALLY UPDATE	
APPROVALS	DATE
DRAWN FV	02/04
CHECKED FV	02/04
DETAIL No.	

SERPAC
 Electronic Enclosures
 COVINA, CA 91723 SERPAC.COM PH. (626) 331-0517

DESCRIPTION: Screw 2 X 9/16 phil flat type H/L

SIZE A PART NUMBER: 6008 REV. C

SCALE 8:1 CAD FILE: Screws SHEET 1 OF 1

