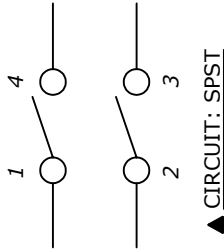
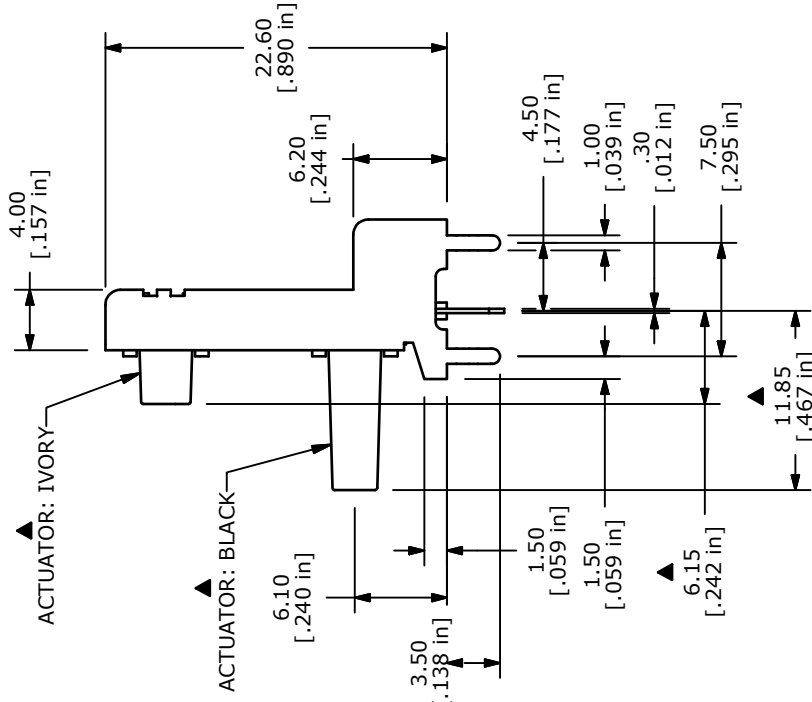
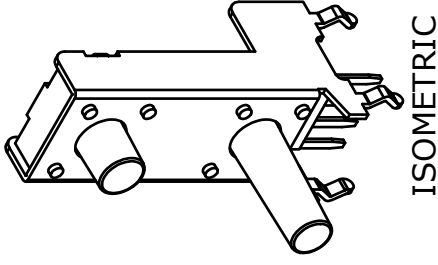
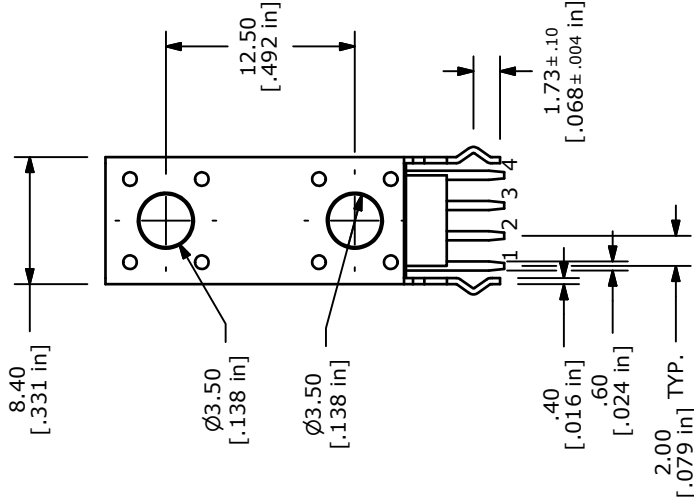
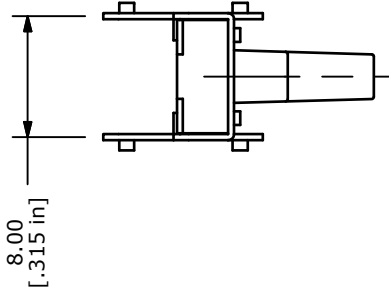


RECOMMENDED P.C.B. LAYOUT



- NOTES:
1. ALL DIMENSIONS IN MM
 2. GENERAL TOLERANCE: X.X=±0.4
X.XX=±0.25
 3. TERM. NOS. FOR REFERENCE ONLY.
 4. CONTACT RATING: 50mA @12VDC
 5. TRAVEL: 0.25 +0.2/-0.1mm
 6. CONTACT RESISTANCE: 100mILLI-OHMS Max.
 7. OPERATING FORCE: 160±50gf
 - ▲8. CONTACT MATERIAL: SILVER
 - 9.▲ DENOTES CRITICAL PARAMETER.
 - ▲10. ACTUATOR: TOP (6.15MM), BOTTOM (11.85)
 - ▲11. PACKAGE: TRAY/ 200 PIECES PER
 12. 2002/95/EC (ROHS) COMPLIANT



TITLE TL53HCF160Q

B	19576	DRAWING UPDATE / CLEAN-UP	1/11/11	BGL
A	17000	RELEASED FOR PRODUCTION	2/20/07	TN
REV	PCR NO	DESCRIPTION	DATE	BY

THE INFORMATION CONTAINED IN THIS DOCUMENT IS PROPRIETARY TO E-SWITCH AND IS NOT TO BE COPIED OR TRANSFERRED

SCALE 2:1

DATE 2/20/2007

DR TN

DWG P010686

REV B