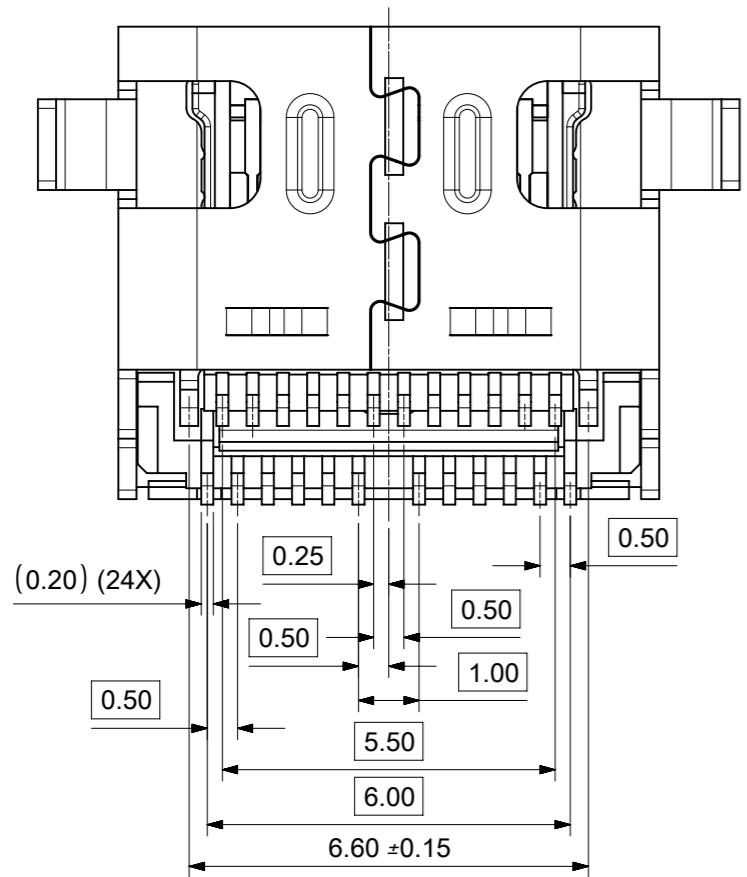


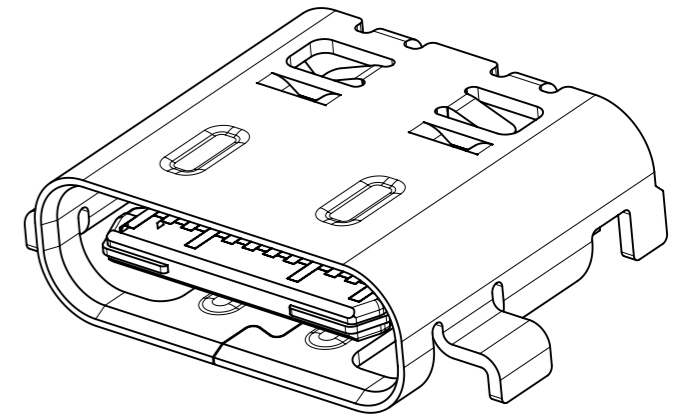
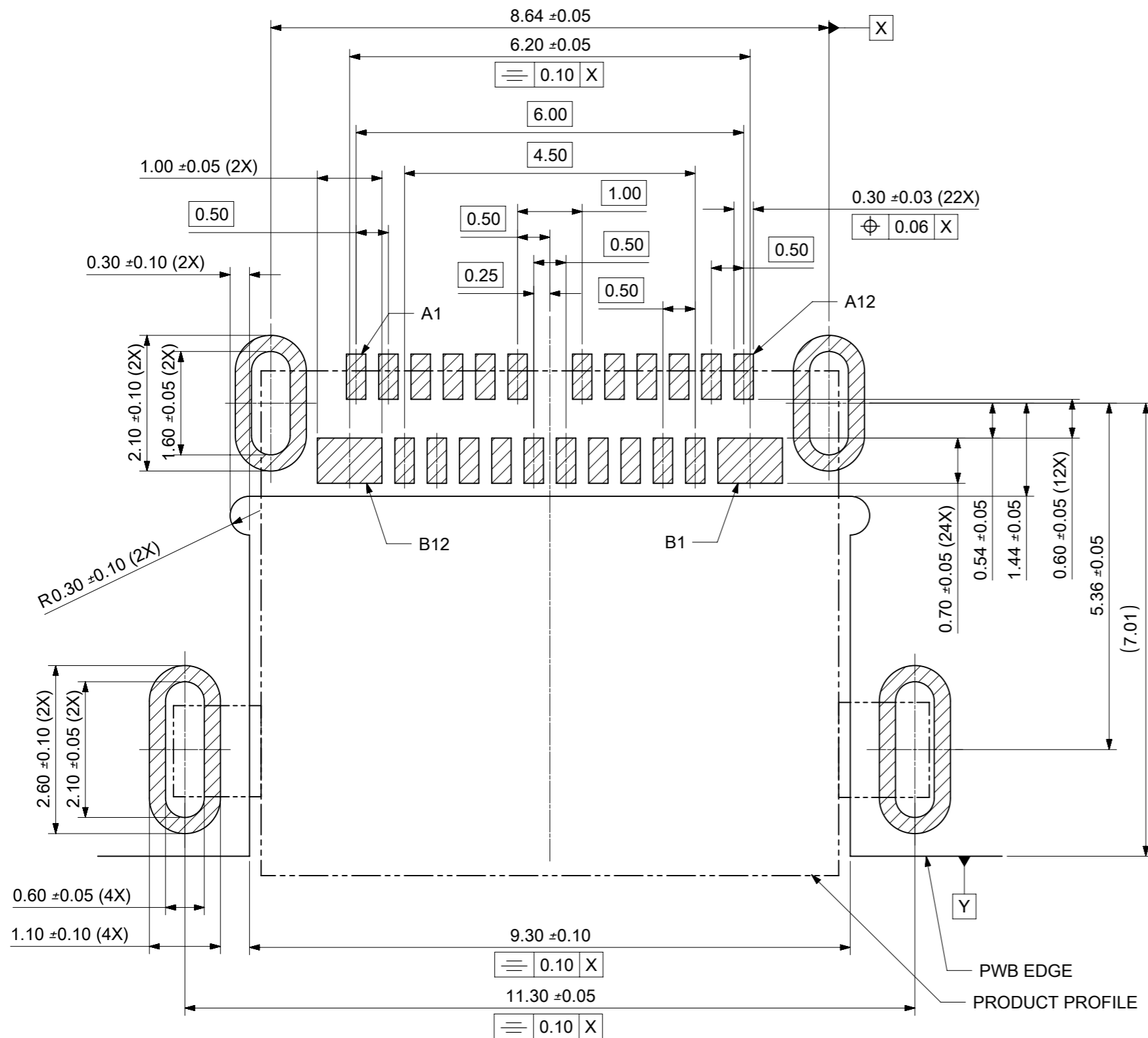
PART NO.	L
1054550101	0.70
1054550102	0.50

PENDING APPROVAL



THIS DRAWING CONTAINS INFORMATION THAT IS PROPRIETARY TO MOLEX ELECTRONIC TECHNOLOGIES, LLC AND SHOULD NOT BE USED WITHOUT WRITTEN PERMISSION		CURRENT REV DESC:		molex	
DIMENSION UNITS	SCALE	EC NO: 600596			
mm	8:1	DRWN: RZHANG 2018/03/30		USB TYPE C REC MIDDLE MOUNT TYPE	
GENERAL TOLERANCES (UNLESS SPECIFIED)		CHK'D:		PRODUCT CUSTOMER DRAWING	
ANGULAR TOL ± 3.0°		APPR:		DOCUMENT NUMBER	
4 PLACES ±		INITIAL REVISION:		DOC TYPE	
3 PLACES ±		DRWN: RZHANG 2015/11/05		DOC PART	
2 PLACES ± 0.2		APPR: RZHANG 2017/04/11		REVISION	
1 PLACE ± 0.2		SERIES		SD-105455-001	
0 PLACES ±		MATERIAL NUMBER		PSD 001 A2	
DRAFT WHERE APPLICABLE MUST REMAIN WITHIN DIMENSIONS		THIRD ANGLE PROJECTION	DRAWING	CUSTOMER	SHEET NUMBER
		⊕	A3-SIZE	GENERAL MARKET	1 OF 2
			105455		

DOCUMENT STATUS	RQ	RELEASE DATE
-----------------	----	--------------



- NOTES:
- MATERIAL,
HOUSING: HIGH TEMPERATURE THERMAL PLASTIC ,
30% GLASS FILLED, BLACK, UL94V-0.
TERMINAL: COPPER ALLOY
SHELL: STAINLESS STEEL
INNER SHELL: STAINLESS STEEL
MIDDLE BLADE: STAINLESS STEEL
 - PLATING:
TERMINAL: CONTACT AREA: GOLD FLASH (0.05 MIN.)
OVER 0.75 MICROMETER MIN. PALLADIUM/NICKEL PLATING
SOLDER TAIL: 0.05 MICROMETER MIN. GOLD PLATING
UNDER PLATING: 1.5 MICROMETER MIN. NICKEL PLATING OVERALL
SHELL: 1.5 MICRON MIN. SOLDERABLE NICKEL PLATING OVERALL
INNER SHELL: CLEANING
MIDDLE BLADE: GOLD FLASH PLATING ON THE SOLDER TAIL
AND 1 MICROMETER NICKEL PLATING OVERALL
 - PRODUCT SPEC REFER TO PS-105448-001
 - PACKAGE SPEC REFER TO PK-105455-001
 - COPLANARITY OF SMT PINS SOLDER TAIL IS 0.10 MAX.
BEFORE AND AFTER REFLOW
 - T/H SOLDER TAIL POSITION BE CONTROLLED BY GAUGE
 - PRODUCT COMPLANT TO ROHS DIERTIVE 2011/65/EU
AND ELV DIRECTIVE 2000/53/EC

RECOMMENDED PWB LAYOUT

PENDING APPROVAL

PIN ASSIGNMENT												BLADE	SHELL
A1	A2	A3	A4	A5	A6	A7	A8	A9	A10	A11	A12	GND	GND
GND	TX1+	TX1-	VBUS	CC1	D+	D-	SBU1	VBUS	RX2-	RX2+	GND		
GND	RX1+	RX1-	VBUS	SBU2	D-	D+	CC2	VBUS	TX2-	TX2+	GND	GND	GND
B12	B11	B10	B9	B8	B7	B6	B5	B4	B3	B2	B1		

THIS DRAWING CONTAINS INFORMATION THAT IS PROPRIETARY TO MOLEX ELECTRONIC TECHNOLOGIES, LLC AND SHOULD NOT BE USED WITHOUT WRITTEN PERMISSION											
DIMENSION UNITS	SCALE	CURRENT REV DESC:									
mm	12:1	molex USB TYPE C REC MIDDLE MOUNT TYPE									
GENERAL TOLERANCES (UNLESS SPECIFIED)											
ANGULAR TOL	± 3.0°	EC NO: 600596 DRWN: RZHANG 2018/03/30 CHK'D: APPR:									
4 PLACES	±	PRODUCT CUSTOMER DRAWING									
3 PLACES	±	DOCUMENT NUMBER									
2 PLACES	± 0.2	SD-105455-001									
1 PLACE	± 0.2	DOC TYPE DOC PART REVISION									
0 PLACES	±	PSD 001 A2									
DRAFT WHERE APPLICABLE MUST REMAIN WITHIN DIMENSIONS		THIRD ANGLE PROJECTION	DRAWING	SERIES	MATERIAL NUMBER	CUSTOMER	SHEET NUMBER				
			A3-SIZE	105455		GENERAL MARKET	2 OF 2				