

This drawing involves proprietary design rights of Tyco Electronics Corporation, and all design, manufacture, reproduction, use and sale rights regarding the same are expressly reserved. It is submitted for a specific purpose and the recipient by accepting this drawing, assumes custody and control and agrees to take reasonable precautions; (a) that this drawing will not be copied and reproduced, in whole or in part, or its contents revealed in any manner, or to any person except to meet the purpose for which it was delivered and (b) that any special features peculiar to this design will not be incorporated in other projects without the expressed written permission of Tyco Electronics Corporation.

REVISIONS			
EC	REV	DESCRIPTION	DATE
—	A	NEW RELEASE	06/15/05

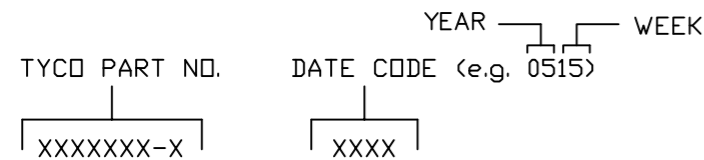
5. MODULE INFORMATION

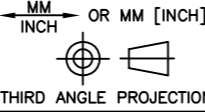


CONNECTOR	TYCO PART NUMBER	CATALOG MODULE #	QTY	SIZE NO.	CONTACT QTY	MATING PIN	MAX. CURRENT (PER CONTACT)	CONTACT SPACING	VOLTAGE RATING*
PIN	1766688-1	FP0105	1	8	1	1.25 X 7.00 [.049 X .276]	35 AMPERES	7.50 [2953]	250 VOLTS
		FP0106	1		1				

\*IAW IEC-950

NOTES: UNLESS OTHERWISE SPECIFIED.

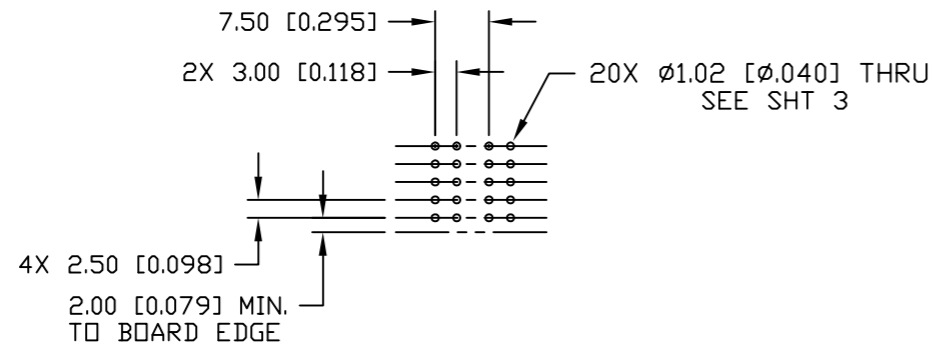
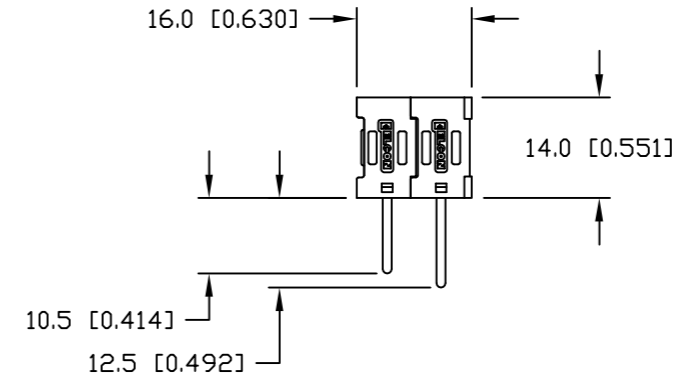
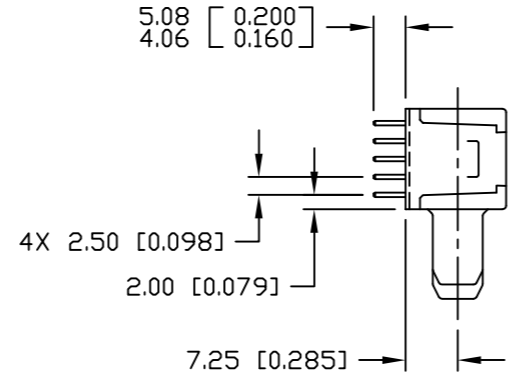
- PART NUMBER CHANGES AND OR DESIGN CHANGES AFFECTING ITEM INTERCHANGEABILITY REQUIRE PRIOR ELCON APPROVAL AND AUTHORIZATION BY REVISION TO THIS DRAWING.
- MATERIALS:
  - INSULATORS: THERMOPLASTIC, GLASS REINFORCED, COLOR BLACK. UL94V-0 FLAMMABILITY RATED.
  - POWER CONTACTS: PHOSPHOR BRONZE ALLOY, COPPER ALLOY.
  - CROWN BANDS: BERYLLIUM COPPER ALLOY.
- FINISHES:
  - CONTACTS: GOLD PLATED PER MIL-G-45204 TYPE II, CLASS 0, .000030" MIN. THK, OVER NICKEL PER QQ-N-290, CLASS 2, .000040" MIN. THICKNESS.
  - TERMINALS: TIN PLATED, MATTE FINISH .000100" MIN. THICKNESS.
- ITEMS PROVIDED TO THIS SPECIFICATION TO BE PERMANENTLY IDENTIFIED PER THE FOLLOWING IDENTIFIER:



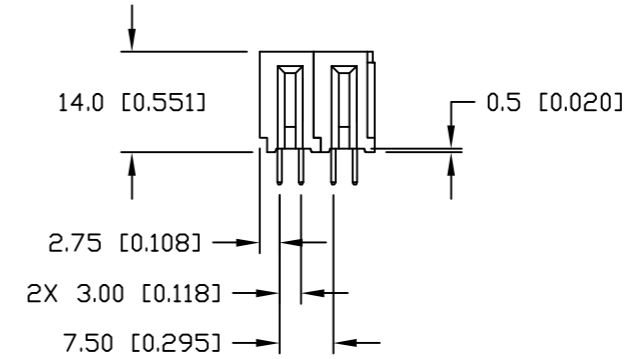
 <p>THIRD ANGLE PROJECTION</p> <p>UNLESS OTHERWISE SPECIFIED DIMENSIONS ARE IN METRIC [INCHES]</p> <p>TOLERANCES</p> <p>ANGLES ± .5°</p> <p>DECIMALS</p> <p>.XX ± .25 [.010]</p> <p>.X ± .5 [.020]</p>	DRAWN R. F. A.	DATE 06/15/05	 Tyco Electronics Corporation Menlo Park, Ca 94025	
	CHECKED			
	APPROVED		CONNECTOR, PIN, RIGHT ANGLE STANDARD SOLDER TAILS, FLATPAQ PN 1766688-1	
	APPROVED D. CHAU	06/15/05	SIZE B	DWG NUMBER C = 1766688
DCA APPROVED M. ALIM	06/16/05	ACAD FILE NUMBER C1766688A.DWG		DWG SCALE 1=1 SH 1 OF 3

This drawing involves proprietary design rights of Tyco Electronics Corporation, and all design, manufacture, reproduction, use and sale rights regarding the same are expressly reserved. It is submitted for a specific purpose and the recipient by accepting this drawing, assumes custody and control and agrees to take reasonable precautions; (a) that this drawing will not be copied and reproduced, in whole or in part, or its contents revealed in any manner, or to any person except to meet the purpose for which it was delivered and (b) that any special features peculiar to this design will not be incorporated in other projects without the expressed written permission of Tyco Electronics Corporation.

REVISIONS			
EC	REV	DESCRIPTION	DATE
		SEE SHEET 1	



PRINTED CIRCUIT LAYOUT

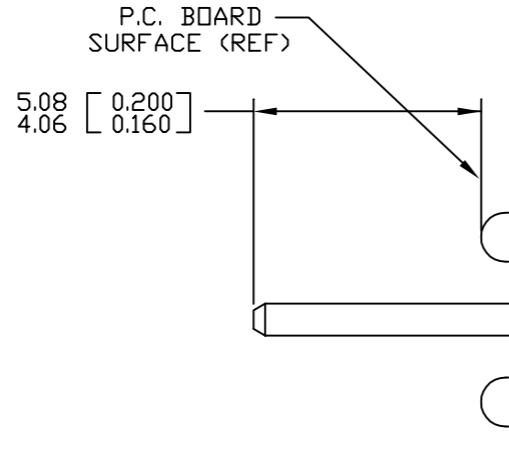


← MM OR MM [INCH] INCH  THIRD ANGLE PROJECTION UNLESS OTHERWISE SPECIFIED DIMENSIONS ARE IN METRIC [INCHES] TOLERANCES ANGLES ± .5° DECIMALS .XX ± .25 [.010] .X ± .5 [.020]	DRAWN R. F. A.	DATE 06/15/05	 Tyco Electronics Corporation Menlo Park, Ca 94025 
	CHECKED	APPROVED	
	APPROVED D. CHAU	06/15/05	SIZE B
	DCA APPROVED M. ALIM	06/16/05	DWG NUMBER C = 1766688
	ACAD FILE NUMBER C1766688A.DWG		REV. A
			DWG SCALE 1=1 SH 2 OF 3

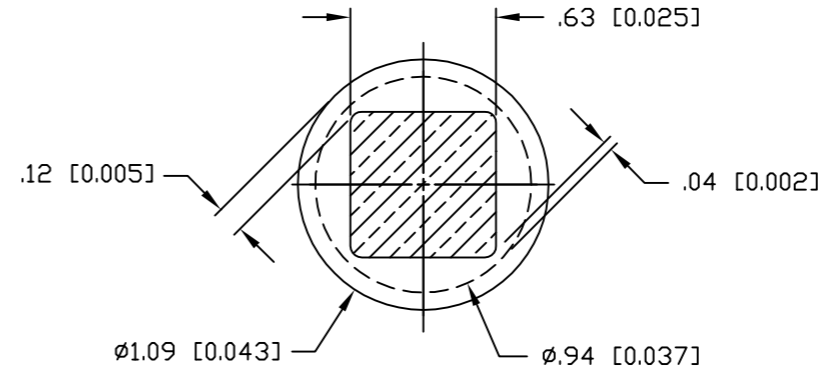
This drawing involves proprietary design rights of Tyco Electronics Corporation, and all design, manufacture, reproduction, use and sale rights regarding the same are expressly reserved. It is submitted for a specific purpose and the recipient by accepting this drawing, assumes custody and control and agrees to take reasonable precautions; (a) that this drawing will not be copied and reproduced, in whole or in part, or its contents revealed in any manner, or to any person except to meet the purpose for which it was delivered and (b) that any special features peculiar to this design will not be incorporated in other projects without the expressed written permission of Tyco Electronics Corporation.

REVISIONS

EC	REV	DESCRIPTION	DATE
		SEE SHEET 1	



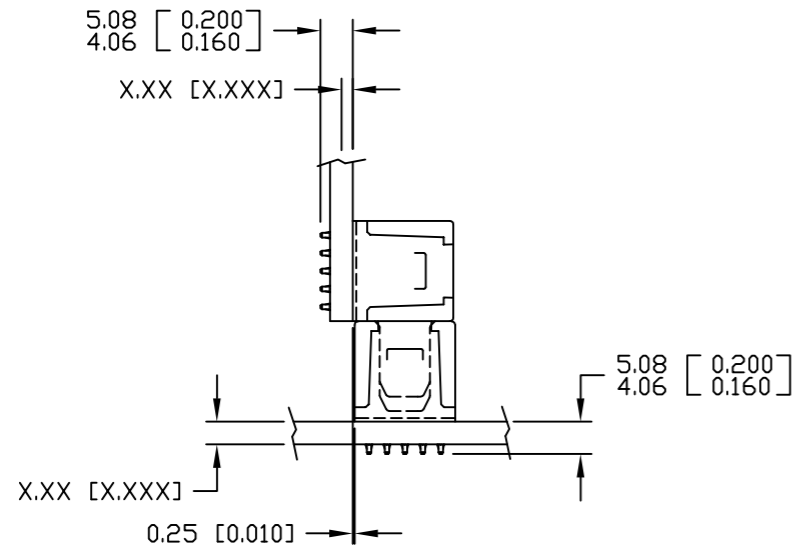
SOLDER PIN DETAIL



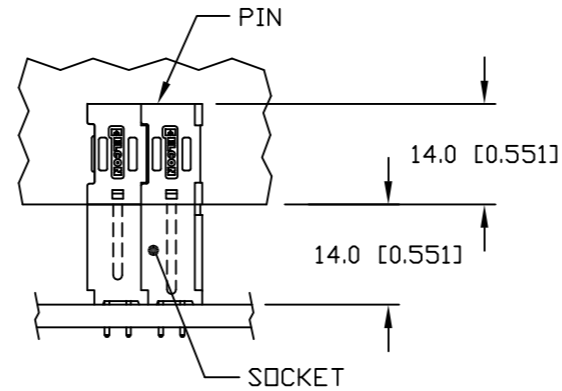
SOLDER TERMINATION AREA

RECOMMENDED PRINTED CIRCUIT HOLE

- FINISHED HOLE:  $\phi 1.02 [0.040] \pm .08 [0.003]$
- DRILLED HOLE:  $\phi 1.15 [0.0453] \pm .013 [0.0005]$
- COPPER PLATE: .025 [0.0010] MINIMUM (PER SURFACE)
- TIN PLATE: .008 [0.0003] MINIMUM (PER SURFACE)



MATED CONDITION



<p>MM OR MM [INCH]</p> <p>THIRD ANGLE PROJECTION</p> <p>UNLESS OTHERWISE SPECIFIED DIMENSIONS ARE IN METRIC [INCHES]</p> <p>TOLERANCES</p> <p>ANGLES <math>\pm .5^\circ</math></p> <p>DECIMALS</p> <p>.XX <math>\pm .25 [0.010]</math></p> <p>.X <math>\pm .5 [0.020]</math></p>	<p>DRAWN</p> <p>R. F. A.</p>	<p>DATE</p> <p>06/15/05</p>	<p><b>tyco</b> Tyco Electronics Corporation <b>ELCON</b></p> <p>Menlo Park, Ca 94025</p>		
	<p>CHECKED</p>		<p>TITLE</p> <p>USER INFORMATION SOLDER TAIL TERMINATION AND MATED CONDITION</p>		
	<p>APPROVED</p>		<p>SIZE</p> <p>B</p>	<p>DWG NUMBER</p> <p>C = 1766688</p>	<p>REV.</p> <p>A</p>
	<p>APPROVED</p> <p>D. CHAU</p> <p>06/15/05</p> <p>DCA APPROVED</p> <p>M. ALIM</p> <p>06/16/05</p> <p>ACAD FILE NUMBER C1766688A.DWG</p>		<p>DWG SCALE 1=1</p>	<p>SH 3 OF 3</p>	