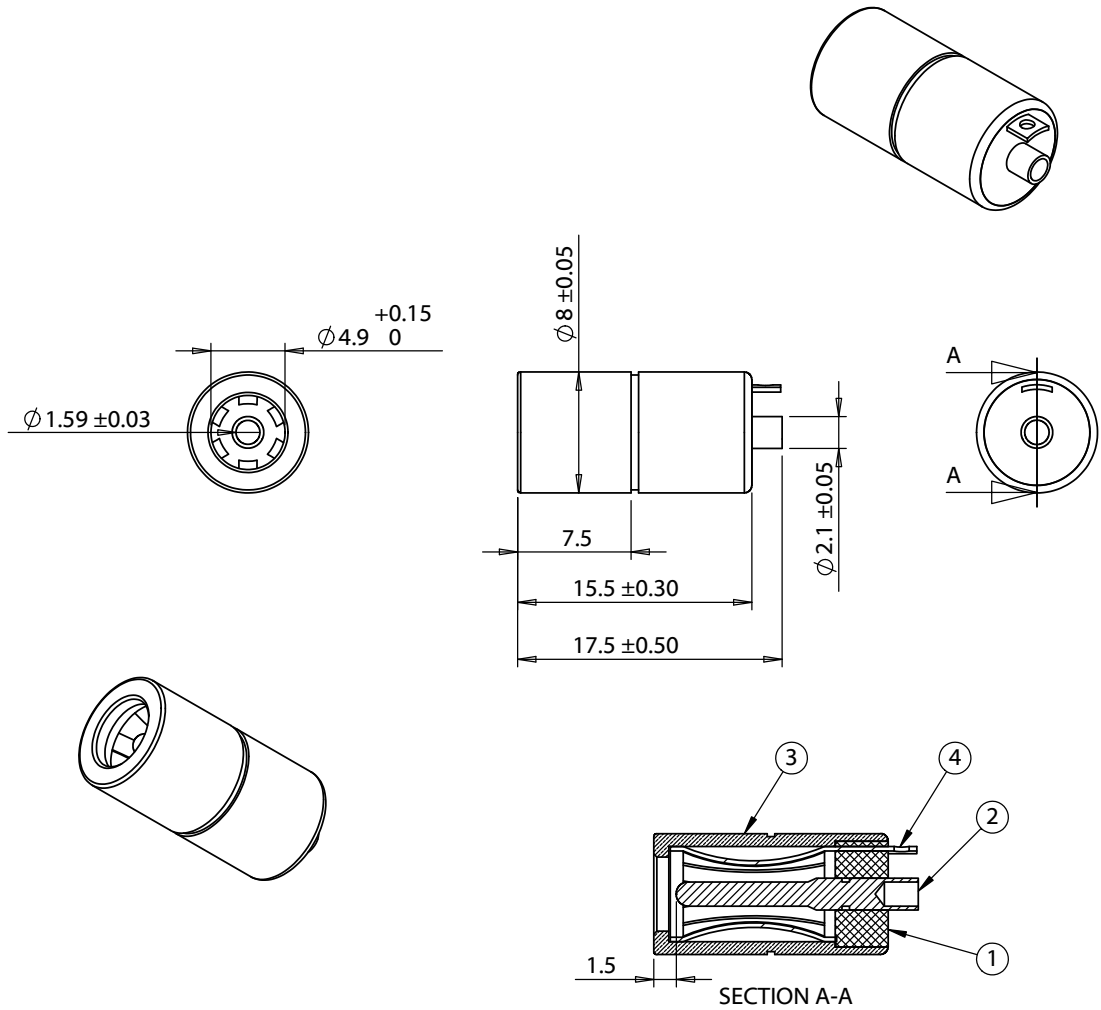


**Materials**

1. Insulator: PBT, black
2. Pin: brass, nickel plated
3. Shell: brass, nickel plated
4. Spring contact: brass, nickel plated



Revision:	Date:	Description:	Prepared:	Notes: RoHS and REACH compliant	<h1>TENSILITY</h1> <p>tel 1.541.323.3228 800 877.670.7118 fax 1.541.323.4202 web tensility.com</p>
A	12/5/2012	Initial release	Verified:		
A1	3/4/2013	Updated spec format	Dimensions are in millimeters. Tolerances: X: ± 0.5 mm X.X: ± 0.3 mm X.XX: ± 0.05 mm	Description:	Size: Part number:
				Connector, dc jack, 4.75x1.7xL17.5 mm, molding style	A 50-00333
					Scale: 2:1