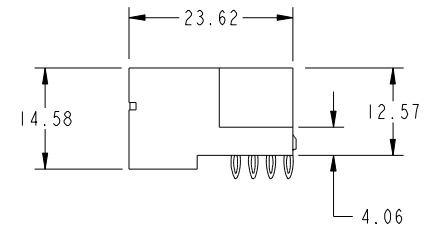
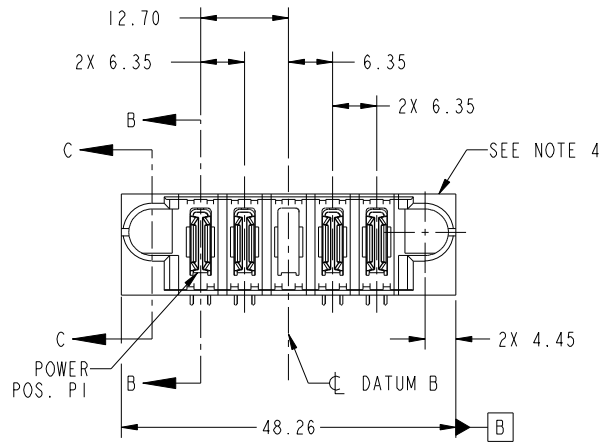


Tous droits strictement reserves. Reproduction ou communication a des tiers interdite sous quelque forme que ce soit sans autorisation écrite du propriétaire. Propriete de c FCI. Droits de reproduction FCI.



All rights strictly reserved. Reproduction or issue to third parties in any form whatever is not permitted without written authority from the proprietor. Property of FCI. Copyright FCI.

PRODUCT NO. 51733-009... NOTE 3	POWER						
	E1	P1	P2	P3	P4	P5	E2
		PX	PX	X	PX	PX	



CODE	DIM "M" MATING LENGTH	CONTACT TYPE
X	OMITTED	OMITTED
PX	[N/A]	POWER

mat'l code				SEE NOTE		tolerances unless otherwise specified		CUSTOMER		FCI	
ltr	ecn no.	dr	date	linear	0.X ± 0.5		COPY		www.fciconnect.com		
A	DG09-0372	WL	11/29/09	angles	0.XX ± 0.25		projection		title		
				dr	0.XXX ± 0.1		MIM		5P		
				enr	0° ± 2°		← MIM →		RIGHT ANGLE PRESS-FIT HEADER		
				chr	WL ZHANG	11/13/09	scale		product family		code
				appd	JEROME CHEN	11/13/09	1:1		PwrBlade		213
sheet index		revision sheet		A	A	A	A	size		dwg no	
1		2		3	4			A		51733-009	
										sheet 1 of 4	

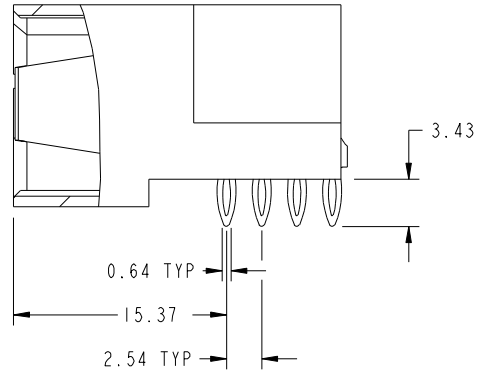
cage code 22526

Tous droits strictement reserves. Reproduction ou communication a des tiers interdite sous quelque forme que ce soit sans autorisation écrite du propriétaire. Propriete de c FCI. Droits de reproduction FCI.

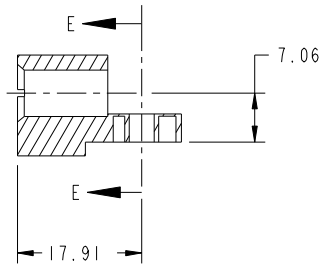
All rights strictly reserved. Reproduction or issue to third parties in any form whatever is not permitted without written authority from the proprietor. Property of FCI. Copyright FCI.



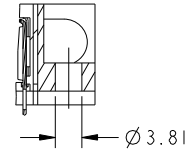
PRODUCT NUMBER
51733-009_
NOTE: 3



BROKEN-OUT SECTION B-B
SCALE 2:1



SECTION C-C



PARTIAL SECTION E-E

mat'l code		SEE NOTE		tolerances unless otherwise specified		CUSTOMER		FCI	
ltr	ecn no.	dr	date	linear	0.X ± 0.5	COPY		www.fciconnect.com	
A					0.XX ± 0.25	projection		title	
				angles	0.XXX ± 0.1			5P RIGHT ANGLE PRESS-FIT HEADER	
				dr	0° ± 2°			product family PwrBlade code	
				enr	WL ZHANG 11/13/09	scale		size	
				chr	JEROME CHEN 11/13/09	1:1		dwg no	
				appd	PM ZHENG 11/13/09			A 51733-009	
					JOSEPH HSIA 11/13/09			sheet	
sheet index	revision sheet							2 of 4	

cage code 22526

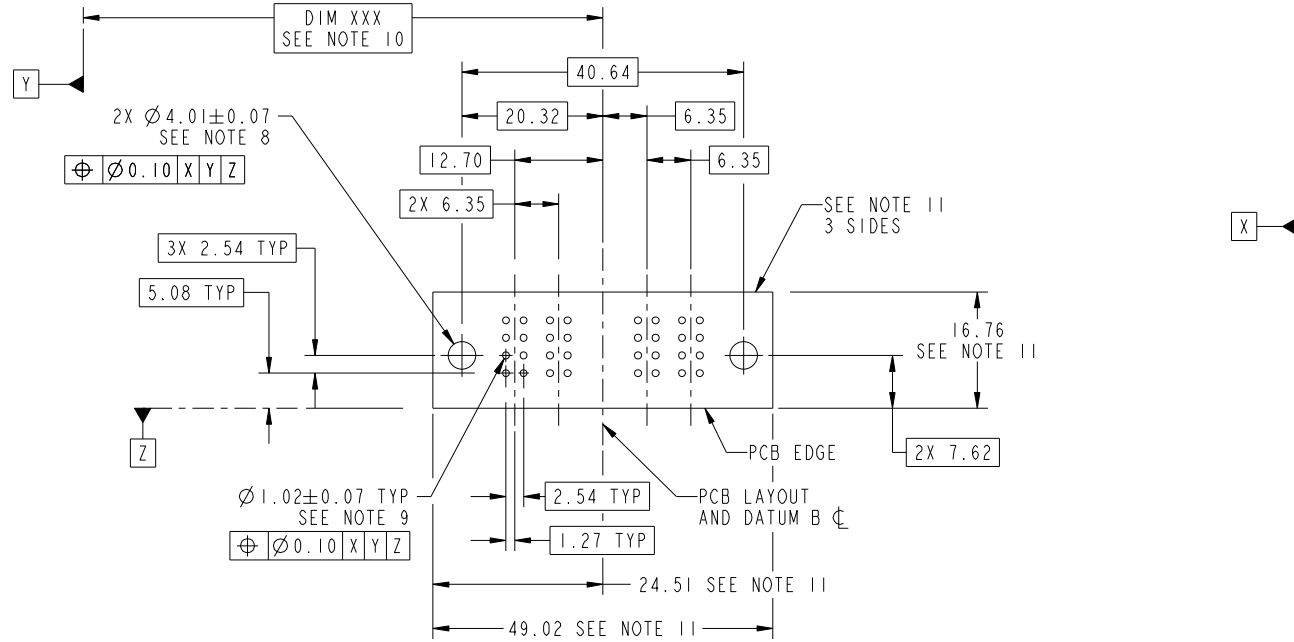
Pro/E

Tous droits strictement reserves. Reproduction ou communication a des tiers interdite sous quelque forme que ce soit sans autorisation écrite du propriétaire. Propriete de c FCI. Droits de reproduction FCI.



All rights strictly reserved. Reproduction or issue to third parties in any form whatever is not permitted without written authority from the proprietor. Property of FCI. Copyright FCI.

PRODUCT NUMBER
51733-009_
NOTE: 3



RECOMMENDED PCB LAYOUT

mat'l code		SEE NOTE		tolerances unless otherwise specified		CUSTOMER		FCI	
ltr	ecn no.	dr	date	linear	0.X ± 0.5	COPY		www.fciconnect.com	
A				linear	0.XX ± 0.25	projection		title	
				angles	0.XXX ± 0.1			5P RIGHT ANGLE PRESS-FIT HEADER	
				dr	0° ± 2°	MIM		product family PwrBlade code	
				enr	WL ZHANG 11/13/09	scale		size	
				chr	JEROME CHEN 11/13/09	1:1		dwg no	
				appd	PM ZHENG 11/13/09			51733-009	
					JOSEPH HSIA 11/13/09			sheet	
sheet index	revision sheet							3 of 4	

cage code 22526

Pro/E

Tous droits strictement reserves. Reproduction ou communication a des tiers interdite sous quelque forme que ce soit sans autorisation écrite du propriétaire. Propriete de c FCI. Droits de reproduction FCI.



All rights strictly reserved. Reproduction or issue to third parties in any form whatever is not permitted without written authority from the proprietor. Property of FCI. Copyright FCI.

PRODUCT NUMBER
51733-009--
NOTE: 3

NOTES:

1. DIMENSIONS AND TOLERANCES ARE IN ACCORDANCE WITH ASME Y14.5M, 1994 UNLESS OTHERWISE SPECIFIED.

CONNECTOR NOTES:

- 2. HOUSING MATERIAL: UL 94 V-0 GLASS FILLED
HIGH-TEMP THERMOPLASTIC
POWER CONTACT MATERIAL: COPPER ALLOY
SIGNAL PIN MATERIAL: COPPER ALLOY
- 3. PLATING SPEC:
SEE ITEM 3 & 4 IN PRINT 10064183 FOR PLATING SPEC OF 51733-009; 51733-009LF PRESPECTIVELY
- 4. MANUFACTURER'S NAME, DATE CODE AND OPTIONAL P/N TO APPEAR ON THIS SURFACE.
THE P/N CAN BE OMITTED IF THERE IS NOT ENOUGH SPACE ON THIS SURFACE.
- 5. PRODUCT SPECIFICATION GS-12-149.
APPLICATION SPECIFICATION BUS-20-067.
- 6. PACKAGED IN TRAYS.

PCB NOTES:

- 7. ALL HOLE DIAMETERS ARE FINISHED HOLE SIZE.
- 8. MOUNTING HOLES, WHERE APPLICABLE, ARE UNPLATED.
- 9. $\varnothing 1.151 \pm 0.025$ DRILLED HOLES PLATED WITH
0.008 MIN SnPb OR Sn OVER 0.03
TO 0.08 Cu PLATING TO ACHIEVE
 $\varnothing 1.02 \pm .07$ HOLE.
- 10. "DIM XXX" TO BE DETERMINED BY THE CUSTOMER.
- 11. CONNECTOR KEEP-OUT ZONE.

mat'l code		SEE NOTE		tolerances unless otherwise specified		CUSTOMER		FCI	
ltr	ecn no.	dr	date	linear	0.X ± 0.5	COPY		www.fciconnect.com	
A				linear	0.XX ± 0.25	projection		title	
				angles	0.XXX ± 0.1			5P RIGHT ANGLE PRESS-FIT HEADER	
				dr	0° ± 2°	MIM		product family	PwrBlade
				enr	WL ZHANG 11/13/09	scale		code	213
				chr	JEROME CHEN 11/13/09	1:1		size	dwg no
				appd	PM ZHENG 11/13/09	A		51733-009	sheet
					JOSEPH HSIA 11/13/09			4 of 4	
sheet index	revision sheet								

cage code 22526

Pro/E