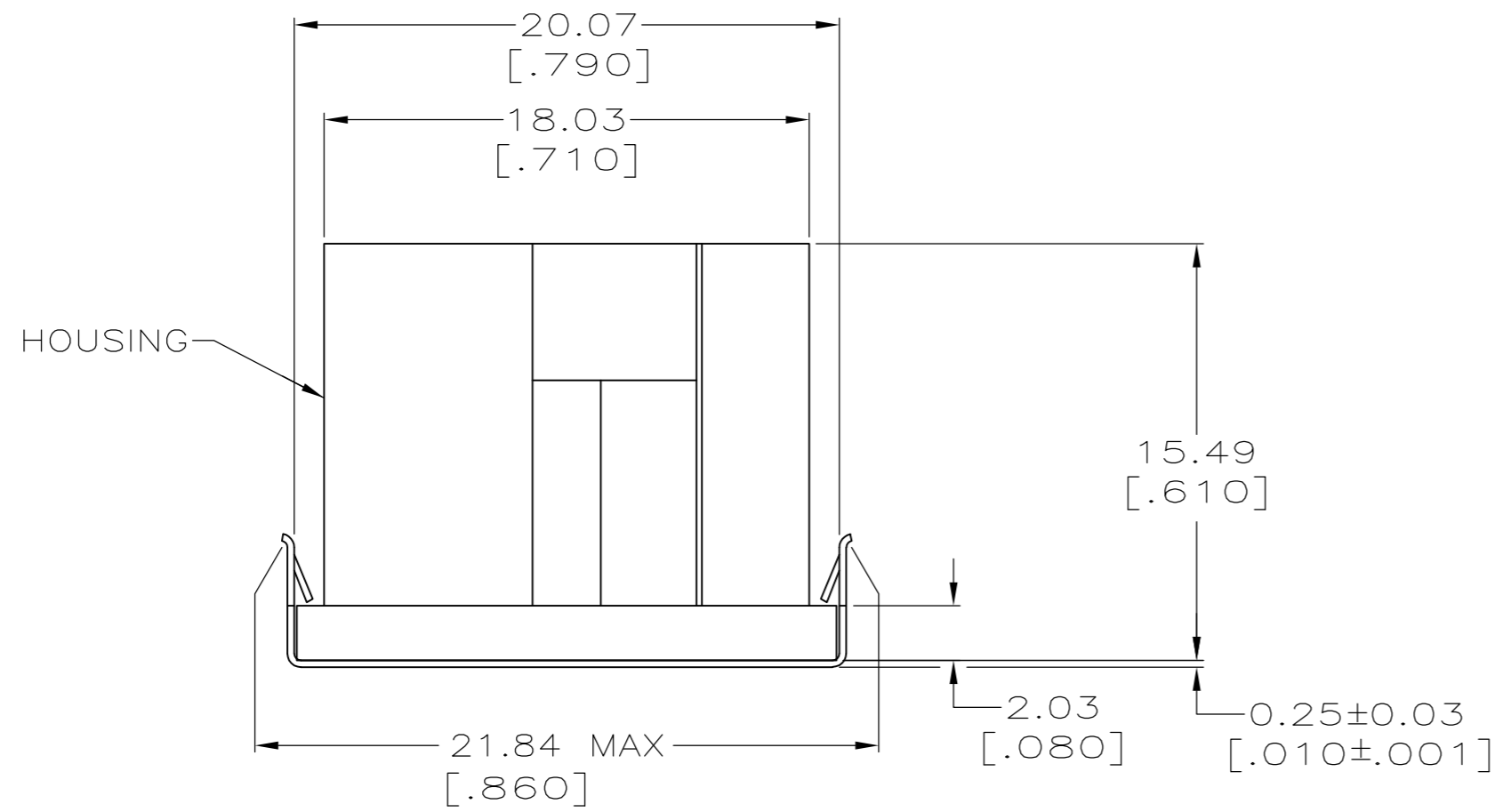
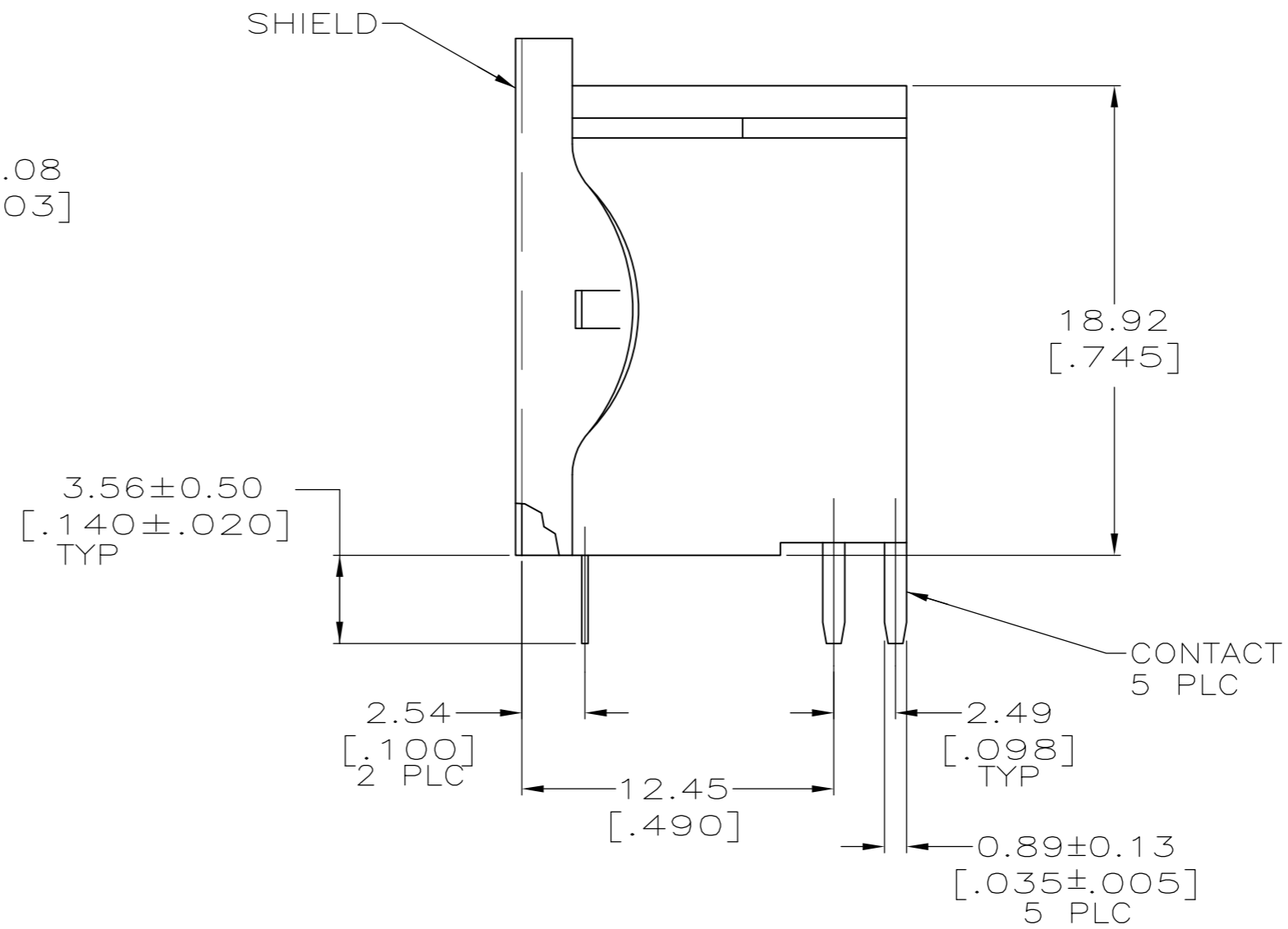
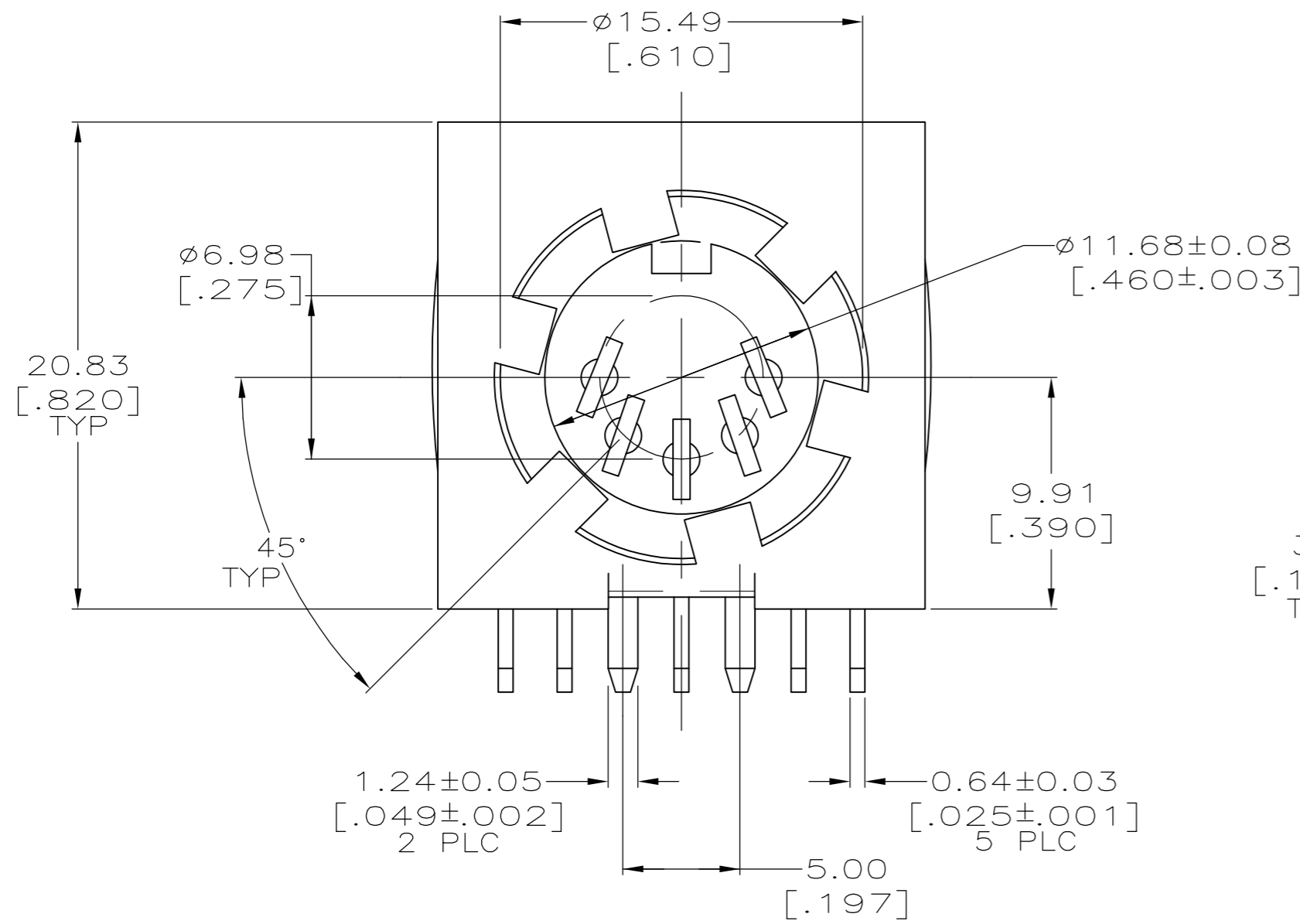


THIS DRAWING IS UNPUBLISHED. RELEASED FOR PUBLICATION
 © COPYRIGHT - By - ALL RIGHTS RESERVED.

LOC	DIST	REVISIONS					
GP	00	P	LTR	DESCRIPTION	DATE	DWN	APVD
		P		REVISED PER ECO-11-004835	11MAR11	RK	HMR



- ① HOUSING: NYLON, UL 94V-0 RATED, BLACK.
- ② SHIELD & CONTACTS: BRASS PER ASTM B 36.
- ③ SHIELD & CONTACTS: 2.54µm [.000100] MIN TIN OVER 1.27µm [.000050] MIN NICKEL.



GANG OF TUBES	5212044-1
PACKAGING TYPE	PART NO

THIS DRAWING IS A CONTROLLED DOCUMENT.		DWN	L. VARELA - DOCK5	12-11-04	 TE Connectivity							
DIMENSIONS: mm [INCHES]		CHK	C. ROHDE	12-11-04								
TOLERANCES UNLESS OTHERWISE SPECIFIED:		APVD	M. WALMSLEY	12-11-04								
0 PLC ± - 1 PLC ± - 2 PLC ± 0.25 [.010] 3 PLC ± - 4 PLC ± - ANGLES ± 2°		PRODUCT SPEC	108-10047	NAME		RECEPTACLE ASSEMBLY, 90 DEGREE PCB, 5 POSITION, W/SHIELDING, CIRCULAR DIN						
MATERIAL		FINISH	114-40025	APPLICATION SPEC	SIZE	A2	CAGE CODE	00779	DRAWING NO	C=5212044	RESTRICTED TO	-
① ②		③	WEIGHT	-	SCALE	4:1	SHEET	1 of 1	REV	P		
CUSTOMER DRAWING												