

LOC	DIST	REVISIONS					
A	66	P	LTR	DESCRIPTION	DATE	DWN	APVD
			C1	SEE PRODUCT DRAWING	-	-	-


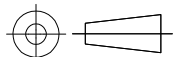
SEE PRODUCTION DRAWING
567372-2

THIS DRAWING IS UNPUBLISHED.

ALL INTERNATIONAL RIGHTS RESERVED.

BY TYCO ELECTRONICS CORPORATION.

© COPYRIGHT

DIMENSIONS: INCHES	DWN	M.YOUNGER	10FEB2011	MATERIAL	-	FINISH	-
	CHK	-	-	 Tyco Electronics Corporation Harrisburg, PA 17105-3608			
TOLERANCES UNLESS OTHERWISE SPECIFIED:	APVD	-	-				
0 PLC ± -	PRODUCT SPEC	-	-	SIZE	CAGE CODE	DRAWING NO	RESTRICTED TO
1 PLC ± -	APPLICATION SPEC	-	-	A4	00779	C-567372-2	-
2 PLC ± -	WEIGHT	-	-	CUSTOMER DRAWING			SCALE
3 PLC ± -							1:1
4 PLC ± -							SHEET
ANGLES ± -							1 OF 1
							REV
							C1