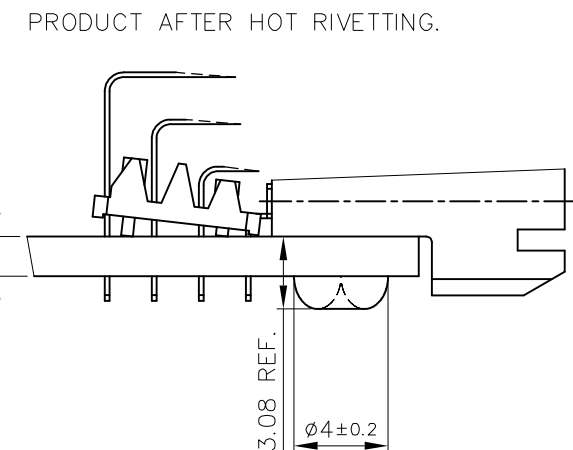
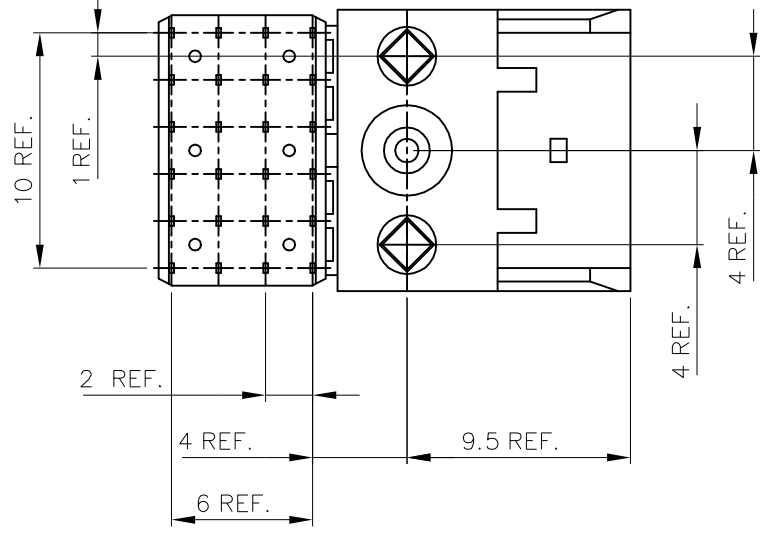
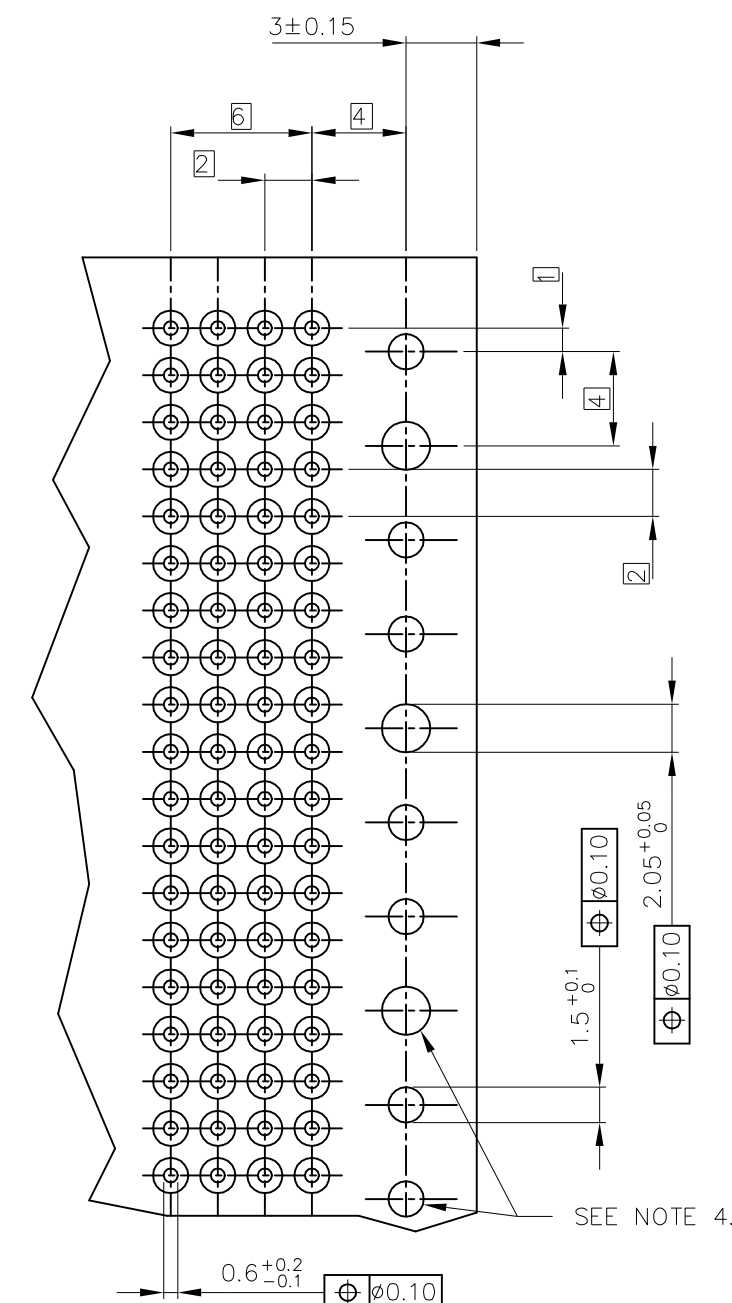
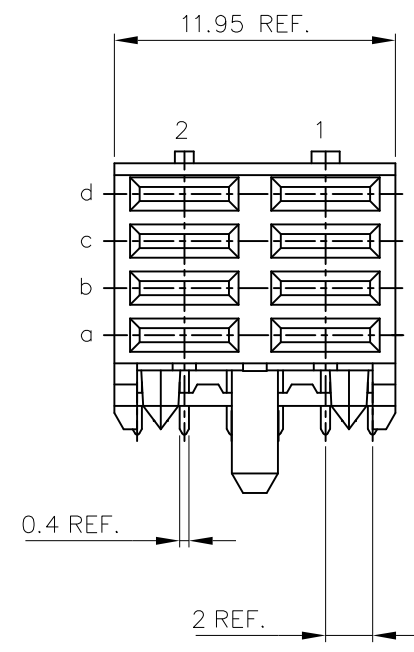
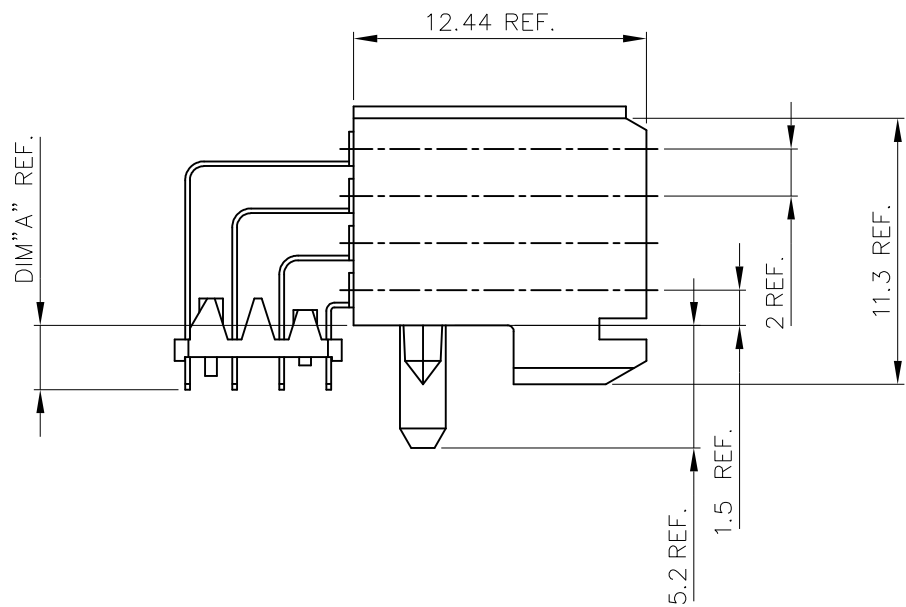


PLATING CONTACT AREA:

DASH NR:	PERFORMANCE LEVEL	
-1YY	TELCORDIA CO	OBSOLETE
-2YY	CUSTOMER SPECIAL	OBSOLETE
-3YY	CUSTOMER SPECIAL	OBSOLETE
-9YY	TELCORDIA CO	OBSOLETE
-2YYLF	CUSTOMER SPECIAL	OBSOLETE
-9YYLF	TELCORDIA CO	OBSOLETE
-1YYLF	TELCORDIA CO	OBSOLETE
-3YYLF	CUSTOMER SPECIAL	OBSOLETE

PC BOARD VERSIONS

PRODUCTNR:	PCB THICKNESS	DIM"A"
70231-X01LF	1.6	2.90
70231-X11LF	2.4	3.53



- NOTES:
- 1 BODY MAT'L: LIQUID CRYSTAL POLYMER 30% GLASS FLAME RETARDANT ACC. UL 94-V0
  - 2 TERMINAL MATERIAL: PHOSPHOR BRONZE.
  - 3 INDICATED HOLES ARE UNPLATED.
  - 4 PRODUCTMARKING: PARTNUMBER & BATCH ID.
  - 5 THIS PRODUCT MEETS EUROPEAN UNION DIRECTIVES AND OTHER COUNTRY REGULATIONS AS DESCRIBED IN GS-22-008
  - 6 THE HOUSING WILL WITHSTAND EXPOSURE TO 260DEGREE PEAK TEMPERATURE FOR 10 SECONDS IN A WAVE SOLDER APPLICATION.
  - 7 THE PRODUCT SPECIFICATION GS-12-453.
  - 8 FOR THE PRODUCT WITH 30u" GOLD PLATING IN TERMINAL, THEY CAN BE REPLACED BY 30 GXT PLATING.

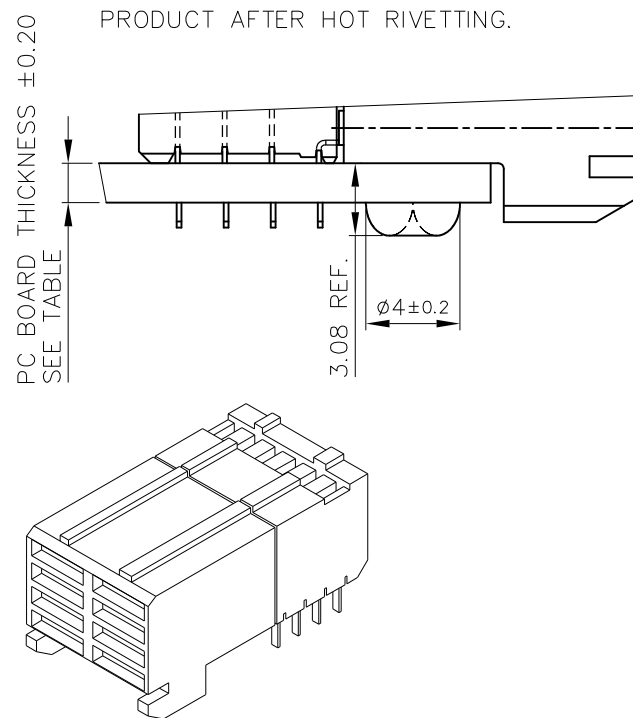
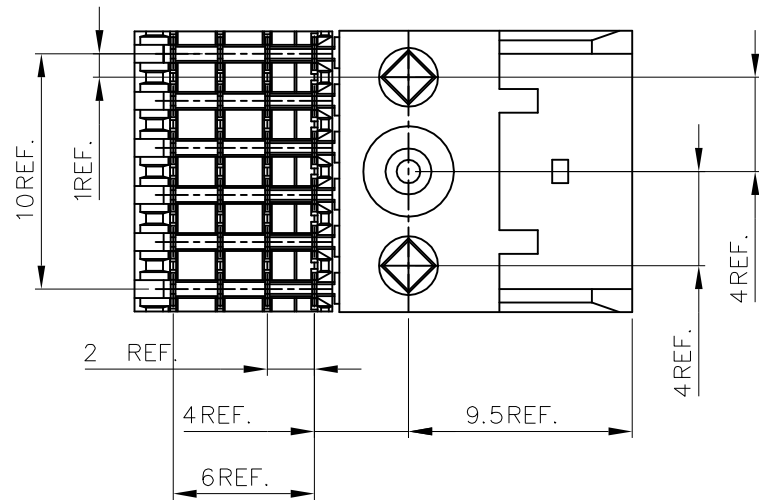
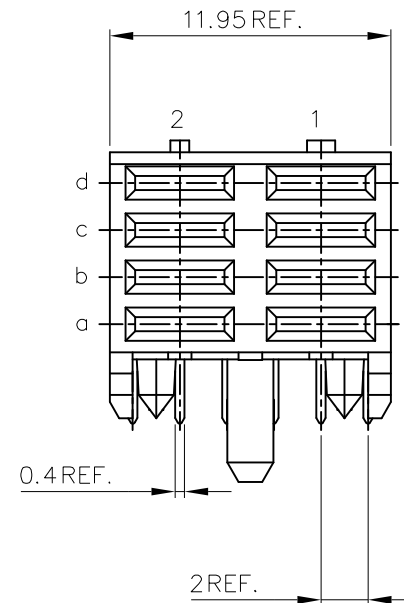
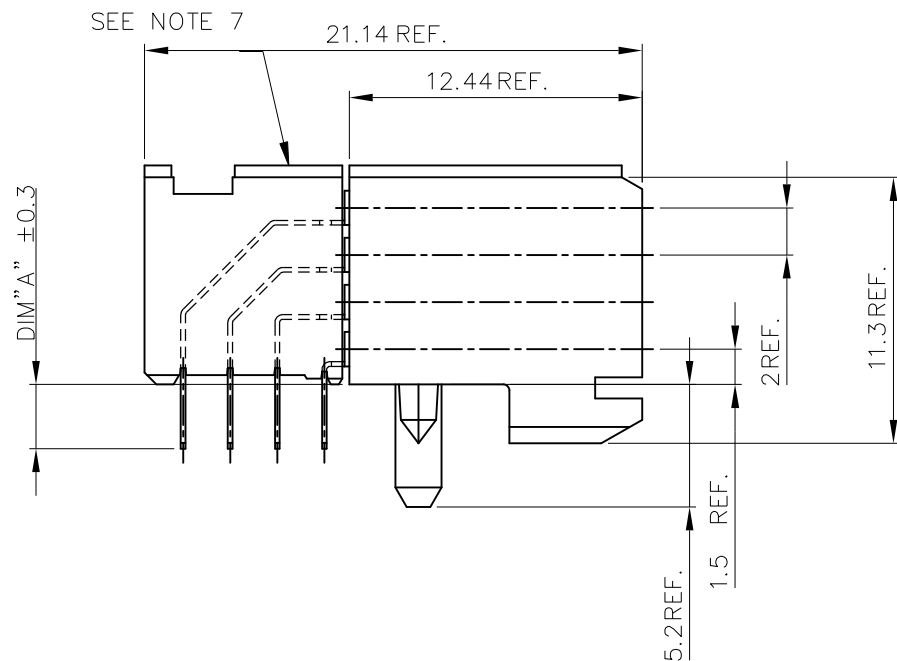
mat'l. code				surface ISO 1302 ✓		tolerance ISO 406 ISO 1101		projection		product family METRAL (tm)	
ltr	ecn no	dr	date	tolerances unless otherwise specified				MM		title	
K	DG05-0107	CLU	2005-05-10	angles	linear	0.X ±0.30		scale 5:1		RA FEMALE POWER STB 12MM VERSION	
L	DG07-0458	CEN	2007-11-15	0° ±2'		0.XX ±0.15					
M	N11-0131	A.ZH	2011-05-09			0.XXX ±0.05					
N	ELX-N-004584	A.ZH	2011-07-20	dr	R.TRLPPE	1990-09-18		Amphenol FCI		dwg no sheet 1 of 2 size	
P	ELX-N-26608	MZ	2017-03-24	enrg	BOUWKNEGT	1990-09-18				70231 A3	
				chr	VAN ZANTEN	1990-09-18				type Product Customer Drawing	
sheet index		revision sheet		P	P						
				1	2						

PLATING CONTACT AREA:

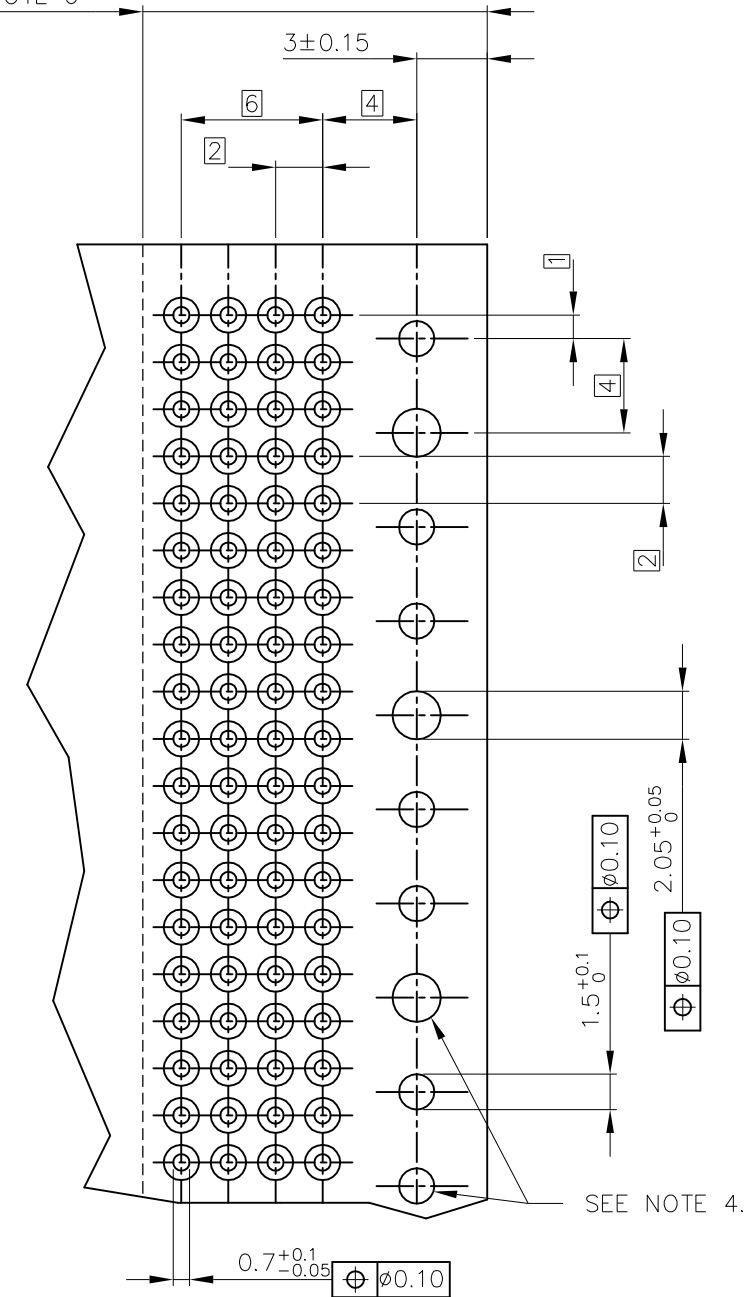
DASH NR:	PERFORMANCE LEVEL	OBSOLETE
-1YY	TELCORDIA CO	OBSOLETE
-2YY	CUSTOMER SPECIAL	OBSOLETE
-3YY	CUSTOMER SPECIAL	OBSOLETE
-9YY	TELCORDIA CO	OBSOLETE
-2YYLF	CUSTOMER SPECIAL	OBSOLETE
-9YYLF	TELCORDIA CO	OBSOLETE
-1YYLF	TELCORDIA CO	OBSOLETE
-3YYLF	CUSTOMER SPECIAL	OBSOLETE

PC BOARD VERSIONS

PRODUCTNR:	PCB THICKNESS	DIM "A"
70231-X02LF	1.6	2.90
70231-X12LF	2.4	3.53



14.64 REF. SEE NOTE 6



RECOMMENDED HOLE PATTERN, COMPONENT SIDE.

NOTES:

- BODY MAT'L: LIQUID CRYSTAL POLYMER 30% GLASS FLAME RETARDANT ACC. UL 94-V0
- TERMINAL MATERIAL: PHOSPHOR BRONZE.
- INDICATED HOLES ARE UNPLATED.
- PRODUCTMARKING: PARTNUMBER & BATCH ID.
- SET BACK FOR PRESS BLOCK.
- TOP SURFACE OF PRESS BLOCK MAY EXTEND UP TO 0.4MM HIGHER THAN HOUSING. THIS MAY AFFECT THE TAIL LENGTH BEFORE APPLICATION TO A BOARD
- THIS PRODUCT MEETS EUROPEAN UNION DIRECTIVES AND OTHER COUNTRY REGULATIONS AS DESCRIBED IN GS-22-008
- THE HOUSING WILL WITHSTAND EXPOSURE TO 260DEGREE PEAK TEMPERATURE FOR 10 SECONDS IN A WAVE SOLDER APPLICATION.
- THE PRODUCT SPECIFICATION GS-12-453.
- FOR THE PRODUCT WITH 30u" GOLD PLATING IN TERMINAL, THEY CAN BE REPLACED BY 30 GXT PLATING.

mat'l. code				surface ISO 1302 ✓		tolerance ISO 406 ISO 1101		projection		product family METRAL (tm)	
ltr	ecn no	dr	date	tolerances unless otherwise specified				MM		title	
P				angles	linear	0.X ±0.30	← MM →		RA FEMALE POWER		
				0° ±2'		0.XX ±0.15	scale 5:1		STB 12MM VERSION		
				dr	R.TRLPPE	1990-09-18	Amphenol FCI		dwg no 70231 sheet 2 of 2 size A3		
				enr	BOUWKNEG	1990-09-18			type Product Customer Drawing		
				chr	VAN ZANTEN	1990-09-18					
				appd	VAN ZANTEN	1990-09-18					
sheet index	revision sheet										