

J20-0115NL

4

3

2

1

NOTICE: THE INFORMATION AND DESIGN CONTAINED HEREIN IS THE PROPERTY OF PULSE WHO RESERVES ALL RIGHTS THERETO.

NOTES: UNLESS OTHERWISE SPECIFIED

1.

WARNING:

THIS COMPONENT IS RECOGNIZED BY ONE OR MORE SAFETY AGENCIES SUCH AS UL, VDE, CSA AND/OR TUV. ALL ENGINEERING CHANGES MUST HAVE PRIOR APPROVAL BY THE DESIGN CENTER QUALITY DEPARTMENT FOR SAFETY AGENCY COMPLIANCE.



2.

NOTICE:

THIS IS A RoHS COMPLIANT COMPONENT/PRODUCT. ALL ENGINEERING CHANGES MUST HAVE PRIOR APPROVAL BY THE DESIGN CENTER.



- 3. OPERATING TEMPERATURE: 0°C TO +70°C
- 4. STORAGE TEMPERATURE: -20°C TO +125°C
- 5. JEDEC MOISTURE: LEVEL 1



DATASHEET

TITLE

CONN,RJ45,2X6,100D,1:1,TY

SIZE	CAGE CODE	DWG. NO.	REV.
B	01961	J20-0115NL	M12
SCALE	NONE	CADD FILE	SHEET
		J20-0115NL-1	1 OF 5

120C12004

4

3

2

1

D

D

C

C

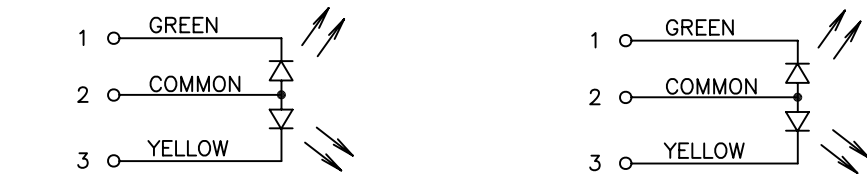
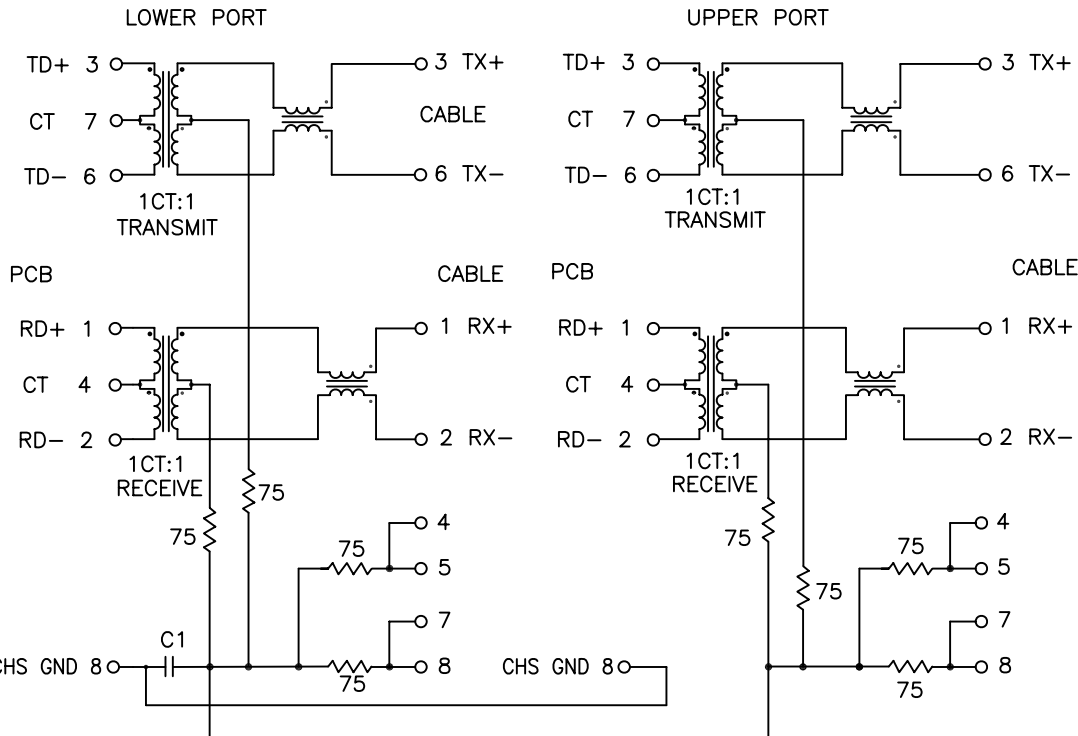
B

B

A

A

J20-0115NL
 NOTICE: THE INFORMATION AND DESIGN CONTAINED HEREIN IS THE PROPERTY OF PULSE WHO RESERVES ALL RIGHTS THERETO.



SCHEMATIC

ELECTRICAL CHARACTERISTICS:
 (FOR REFERENCE ONLY. USED FOR CUSTOMER INFORMATION)
 ELECTRICAL @ 25°C

PARAMETER	SPECIFICATIONS			
	100 KHz	100 MHz		
INSERTION LOSS	-1.2 dB MAX	-1.0 dB MAX.		
	1 MHz	30 MHz	60 MHz	80 MHz
RETURN LOSS (Z OUT = 100 OHM ±15%)	-22 dB MIN	-18 dB MIN	-12 dB MIN	-10 dB MIN
	INDUCTANCE (OCL) (MEDIA SIDE, 0°C-70°C)			
		350 uH MIN	(MEASURED AT 100 KHz, 100 mVRMS AND WITH 8 mA DC BIAS)	
CROSSTALK, ADJACENT CHANNELS	1-62 MHz	100 MHz		
	-35 dB MIN	-30 dB MIN		
COMMON MODE REJECTION RATIO	1-10 MHz	50-100 MHz	150 MHz	
	-35 dB	-20 dB	-15 dB	
DC RESISTANCE, 1/2 WINDING	0.65 OHM MAX			
INPUT - OUTPUT ISOLATION	2250 VDC MIN @ 60 SECONDS			

NOTE: f IS FREQUENCY IN MHZ.

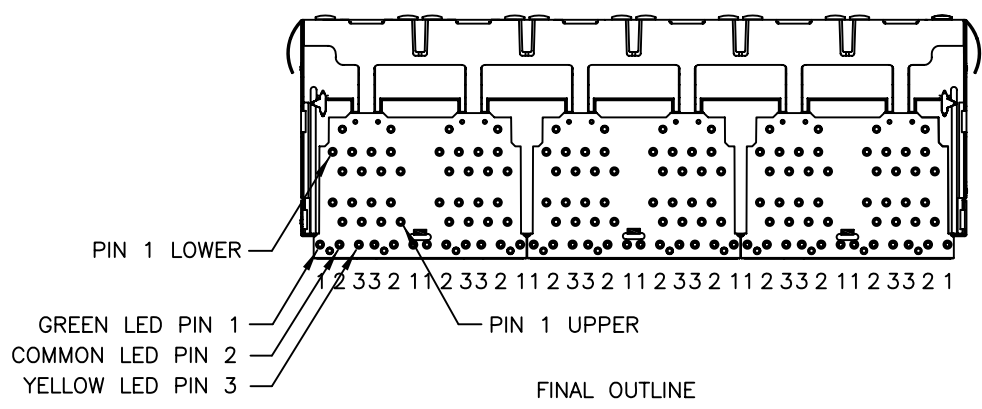
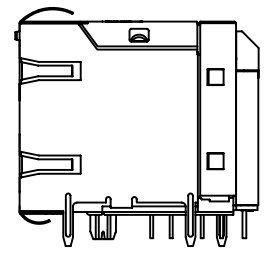
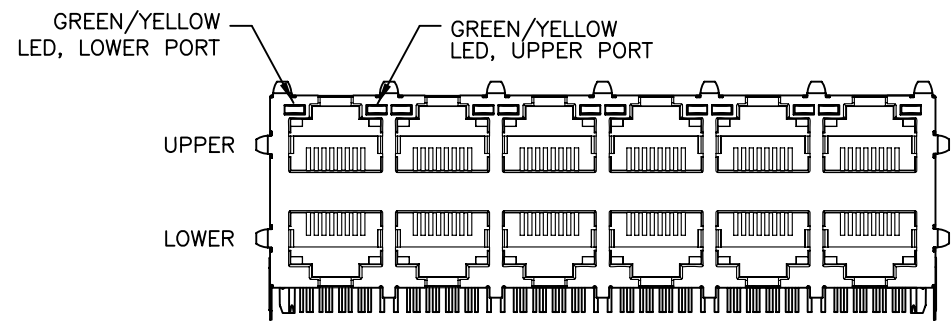
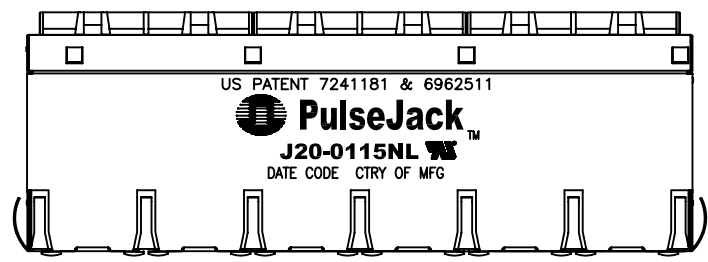
LED ELECTRICAL SPECIFICATIONS		
EMMITTED COLOR	GREEN	YELLOW
WAVE LENGTH (If = 20 mA)	570 nm	590 nm
BRIGHTNESS - MIN TO MAX (mcd) If - (mA)	5 TO 12	3.5 TO 8.5
	20	20
VIEWING ANGLE	120°	120°
POWER DISSIPATION (Pd)	85 mW MAXIMUM	85 mW MAXIMUM
FORWARD CURRENT (0.1 mS PULSE)	160 mA MAXIMUM	160 mA MAXIMUM
FORWARD VOLTAGE (Vf) (If = 20 mA)	2.8 V MAXIMUM	2.8 V MAXIMUM

NOTE: PER VENDOR'S SPECIFICATION

SIZE	CAGE CODE	DWG. NO.	REV.
B	01961	J20-0115NL	M12
SCALE	NONE	CADD FILE	SHEET
		J20-0115NL-2	2 OF 5

J20-0115NL 4

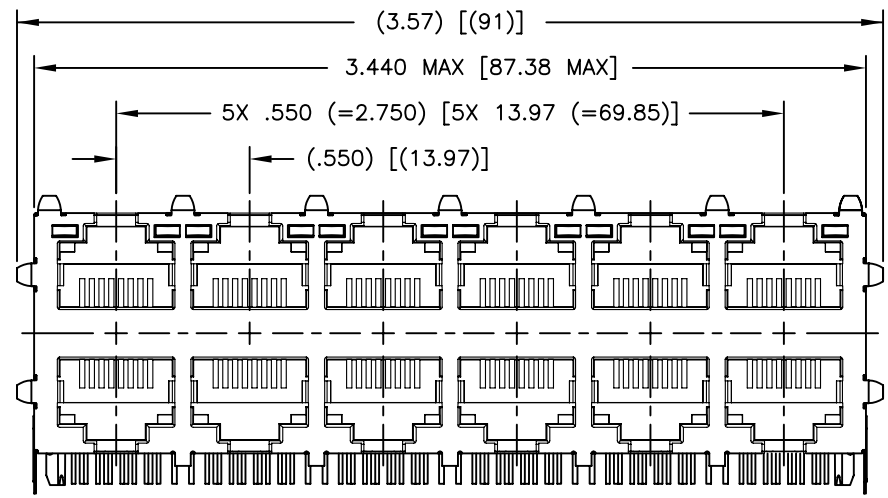
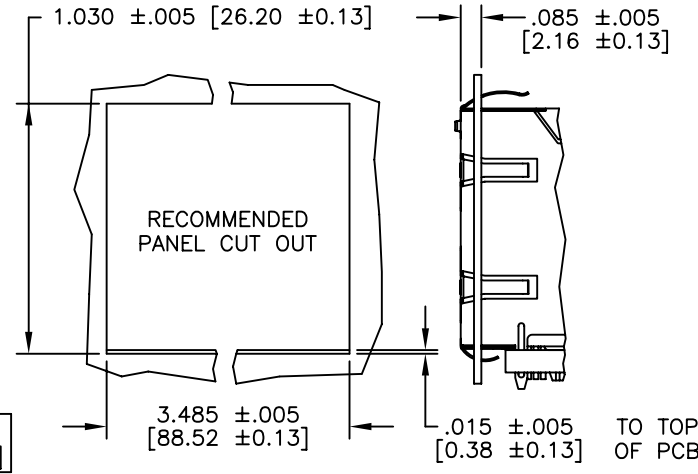
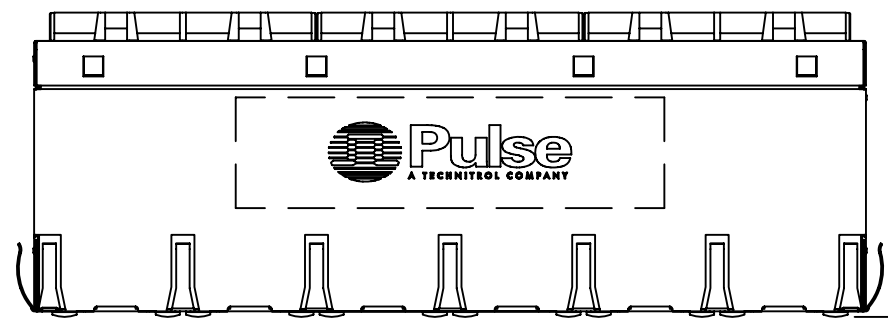
NOTICE: THE INFORMATION AND DESIGN CONTAINED HEREIN IS THE PROPERTY OF PULSE WHO RESERVES ALL RIGHTS THERETO.

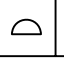


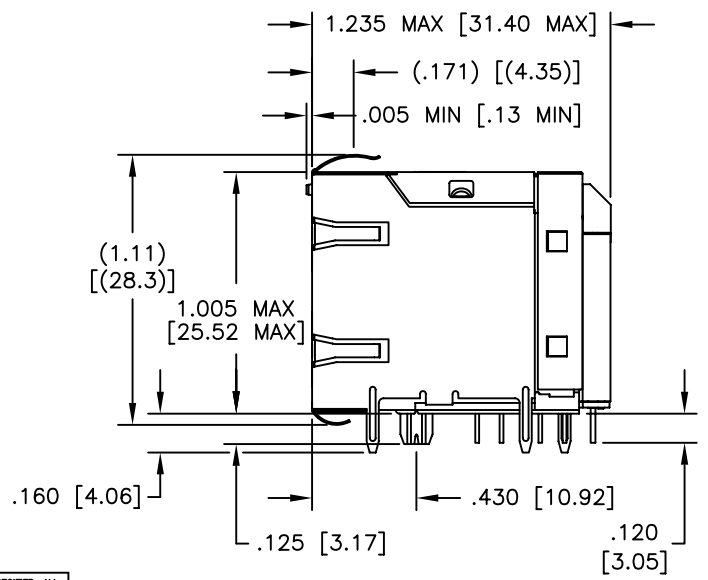
SIZE	CAGE CODE	DWG. NO.	REV.
B	01961	J20-0115NL	M12
SCALE	CADD FILE	SHEET	
NONE	J20-0115NL-3	3 OF 5	

J20-0115NL

NOTICE: THE INFORMATION AND DESIGN CONTAINED HEREIN IS THE PROPERTY OF PULSE WHO RESERVES ALL RIGHTS THERETO.



 .025 [0.63]
12 SURFACES



UNLESS OTHERWISE SPECIFIED, ALL DIMENSIONS ARE IN INCHES
TOLERANCES ARE:
DECIMALS ANGLES
.XX ±.020 ± 1°
.XXX ±.010
DO NOT SCALE DRAWING

SIZE	CAGE CODE	DWG. NO.	REV.
NONE	B01961	J20-0115NL	M12
SCALE	CADD FILE	J20-0115NL-4	SHEET 4 OF 5

PS-2415.352-B

120C72004

J20-0115NL
 NOTICE: THE INFORMATION AND DESIGN CONTAINED HEREIN IS THE PROPERTY OF PULSE WHO RESERVES ALL RIGHTS THERETO.

D

D

C

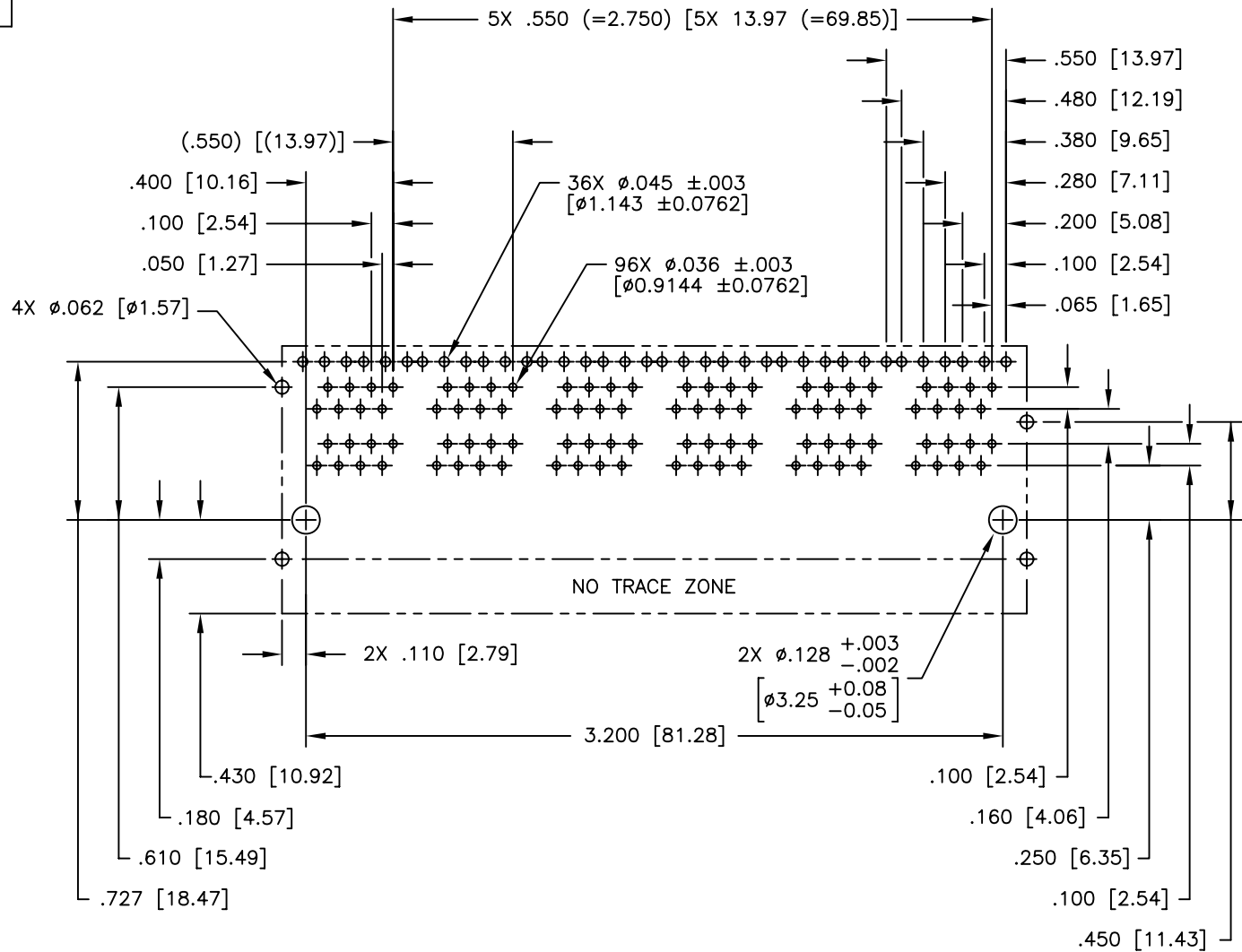
C

B

B

A

A



SUGGESTED PC BOARD LAYOUT VIEWED FROM COMPONENT SIDE
 UNLESS OTHERWISE SPECIFIED DIMENSIONAL TOLERANCE IS ±.002

UNLESS OTHERWISE SPECIFIED, ALL DIMENSIONS ARE IN INCHES
 TOLERANCES ARE:
 DECIMALS ANGLES
 .XX ±.020 ± 1°
 .XXX ±.010
 DO NOT SCALE DRAWING

PS-2415.352-B

SIZE	CAGE CODE	DWG. NO.	REV.
B	01961	J20-0115NL	M12
SCALE	CADD FILE	J20-0115NL-5	SHEET 5 OF 5
NONE			