

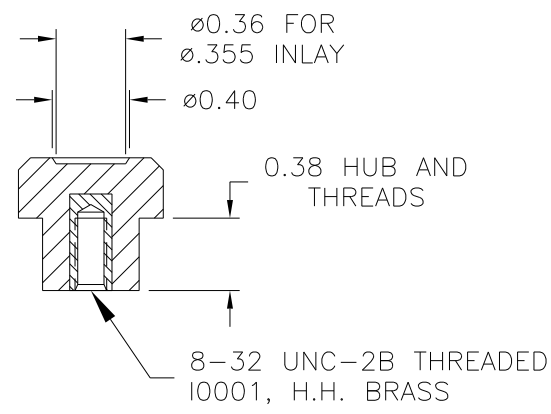
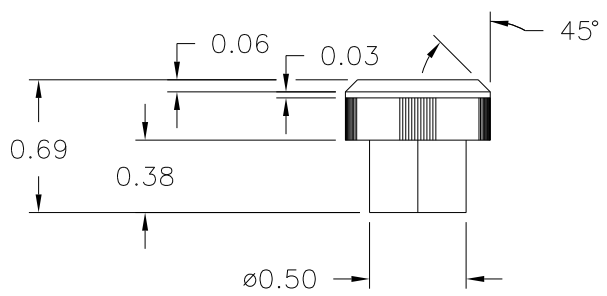
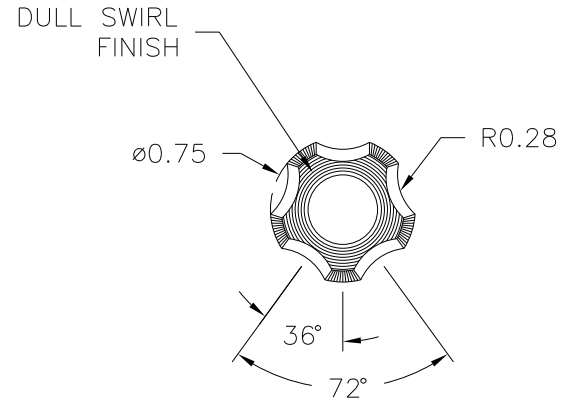
PART NAME: KNOB      SCALE: 1:1      DATE: 6/18/90      DR. BY HD

THIS DRAWING IS THE PROPERTY OF DAVIES MOLDING COMPANY, IS SUBMITTED SOLELY AS A DESIGN OR ENGINEERING PROJECT. WE ACCEPT NO RESPONSIBILITY WHATSOEVER FOR THE PRACTICAL APPLICATION OF THE PIECES MADE TO THIS DESIGN.



DESIGNERS & MANUFACTURERS OF KNOBS, HANDLES, CASES & CUSTOM PLASTIC COMPONENTS

|                  |       |
|------------------|-------|
| P/N              | 2855  |
| M <sup>NO.</sup> | 68    |
| CAVITY           | 2855  |
| CORE             | 2855  |
| CORE PLUG        | 2855  |
| SLEEVE           | 2855  |
| PIN              | 2855  |
| INSERT           | 10001 |



(B) MATERIAL: NYLON 6/6 (ZY2), (ZY6)  
OR ENGINEERING APPROVED EQUIVALENT  
COLOR: BLACK

(A)

|   |                                  |         |                 |     |          |
|---|----------------------------------|---------|-----------------|-----|----------|
| TOLERANCES:<br>UNLESS OTHERWISE SPECIFIED | DO NOT SCALE<br>DRAWING          | B       | ADDED ZY6       | JAM | 7/13/12  |
|   |                                  | A       | ADDED MAT. CODE | DS  | 1/8/07   |
| DECIMALS: X.XXX ± .005<br>X.XX ± .015     | MM: X.XX ± 0.15MM<br>X.X ± 0.4MM | -       | RE-DID REDRAW   | TL  | 11/22/99 |
|   |                                  | -       | CAD REDRAW      | HD  | 8/27/92  |
| FRACTIONS ± 1/64                          | ANG. ± 1°                        | CHANGES |                 |     |          |