

# DATENBLATT / DATA SHEET

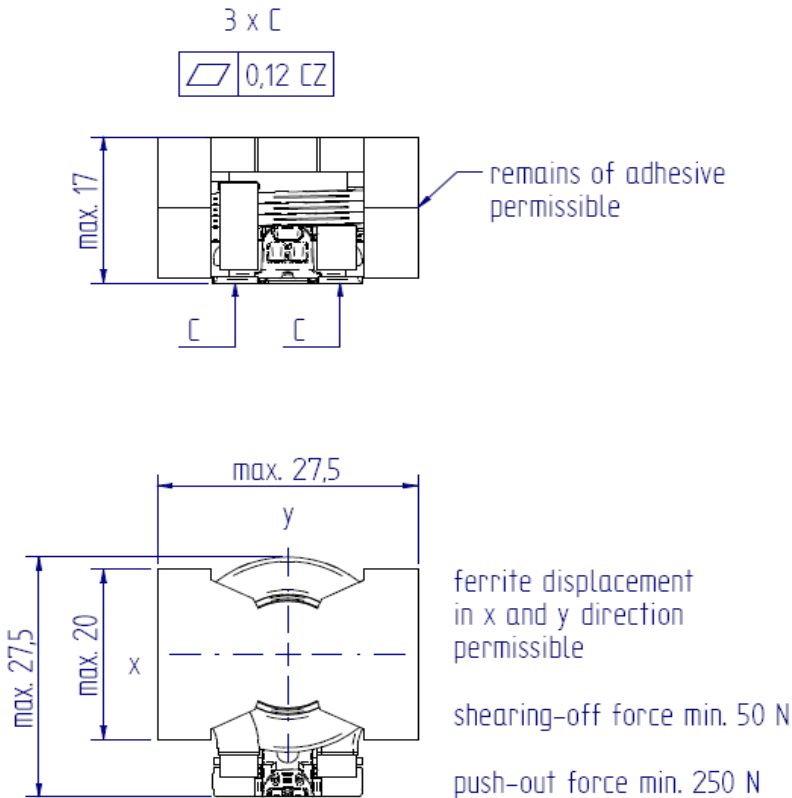


<b>Bezeichnung:</b> <i>description:</i>	WE-FLAT-I®		<b>Page:</b>	1 / 3
<b>Kunden Zg. Nr.:</b> <i>customer drawing no.:</i>	N/A	<b>WE iBE Bauteile-Nr.:</b> <i>WE iBE component no.:</i>	701 014 680	
<b>DRW Referenz-Nr.:</b> <i>DRW reference no.:</i>	N/A	<b>Ausgabedatum:</b> <i>release date:</i>	11.04.2017	

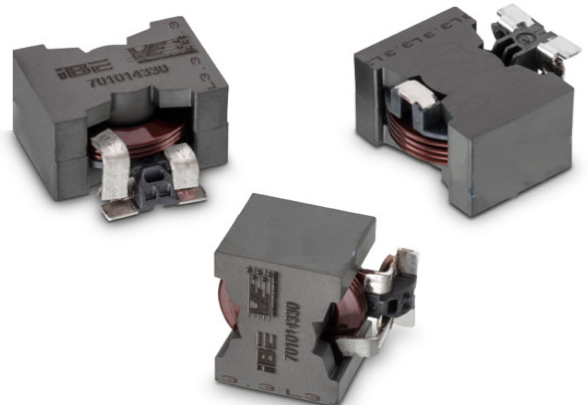
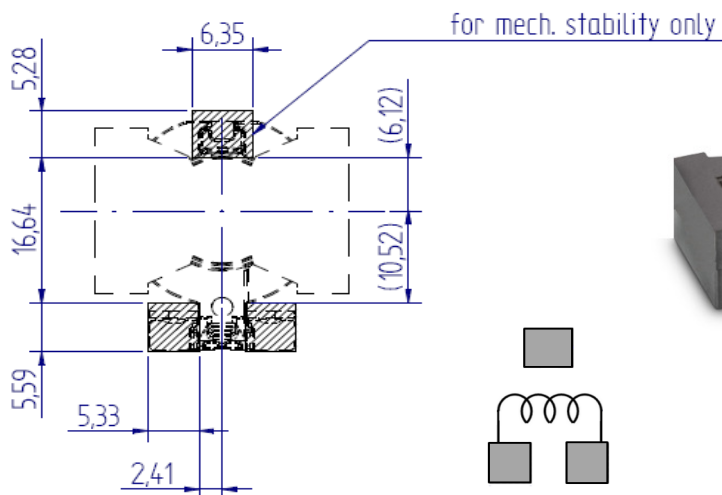
**Product values:**



**Mechanical Dimensions (in mm):**



**recommend pad layout**



- Zeichnung nicht maßstabgetreu, alle Maße in mm / Drawing not scaled, all dimensions in mm  
 - Das abgebildete Produktfoto kann von der gewählten Produktvariante abweichen / The pictured product may not correspond to the selected product configuration

# DATENBLATT / DATA SHEET



<b>Bezeichnung:</b> <b>description:</b>	WE-FLAT-I®		<b>Page:</b>	2 / 3
<b>Kunden Zg. Nr.:</b> <b>customer drawing no.:</b>	N/A	<b>WE iBE Bauteile-Nr.:</b> <b>WE iBE component no.:</b>	701 014 680	
<b>DRW Referenz-Nr.:</b> <b>DRW reference no.:</b>	N/A	<b>Ausgabedatum:</b> <b>release date:</b>	11.04.2017	

Electrical Specification:					
Parameter	@	Value	Tolerance	Unit	Test Condition
Induktivität $L_0$ : <i>Inductance <math>L_0</math>:</i>	20°C	6,8	±15%	µH	100 kHz / 500 mV
DC-Widerstand $R_{DC}$ : <i>DC resistance <math>R_{DC}</math>:</i>	20°C	1,1	±10%	mΩ	
$I_R$		35	max.	A	40 K self heating
$I_{sat}$		20	typical	A	$ \Delta L/L  < 10\%$
Betriebstemperatur: <i>Operating temperature:</i>		-40 to +150°C		°C	including self heating

<b>Spule:</b> <i>Coil:</i>	according to DIN EN 60317-29
<b>Lötpad:</b> <i>Solder pad:</i>	surface finish material: 100% Sn, no Ni layer
<b>Kern:</b> <i>Core:</i>	PQ26/16 - Ferrite Material: MnZn
<b>Klebung:</b> <i>Glueing:</i>	coil and spacer securely fixed to core
<b>Product remarks</b> & <b>Applicable documents</b>	Solvents may influence the product marking Cutting area untinned Three-points fixation on PCB  ISM0100010 (General storage conditions) ISM0100011 (General processing recommendations) IS60100017 (Failure catalog WE-PQ cores)

## Inductance vs. Current (typical):

