

# Thermofit<sup>®</sup> Molded Parts Specification Control Drawing

Part Number : 202E332 thru 353

Description : Boot, Straight

## NOTES

- All dimensions are in  $\frac{\text{inches}}{\text{[millimeters]}}$
- Dimensions appearing in table are as follows:
  - a - As Supplied
  - b - After Unrestricted Recovery
- Coating is optional. As supplied dimensions appearing in table are for uncoated parts. When coating is added, entry diameters will be reduced by .06 max.

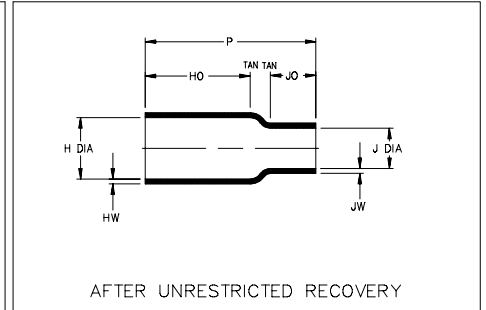
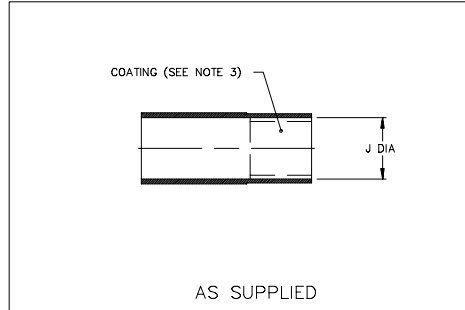


TABLE OF DIMENSIONS									
PART NUMBER	H		J		P	HO	JO	HW	JW
	Max b	Min a	Max b	Min a	±10% b	±10% b	±10% b	±20% b	±20% b
202E332	.35 [8,9]	.38 [9,7]	.12 [3,05]	.12 [3,05]	2.50 [63,5]	1.62 [41,1]	.62 [15,7]	.06 [1,52]	.06 [1,52]
202E342	.65 [16,5]	.38 [9,7]	.12 [3,05]	.12 [3,05]	3.50 [88,9]	2.50 [63,5]	.62 [15,7]	.08 [2,03]	.06 [1,52]
202E353	1.14 [29,0]	.38 [9,7]	.12 [3,05]	.12 [3,05]	4.75 [120,7]	3.50 [88,9]	.62 [15,7]	.10 [2,54]	.06 [1,52]

**If this document is printed it becomes uncontrolled.  
Check for the latest revision.**

**Raychem**

RAYCHEM CORPORATION  
300 CONSTITUTION DRIVE  
MENLO PARK, CALIFORNIA 94025

Revision : L

Date : 9/22/94

Part Number : 202E332 thru 353

Description : Boot, Straight

# Thermofit<sup>®</sup> Molded Parts Specification Control Drawing

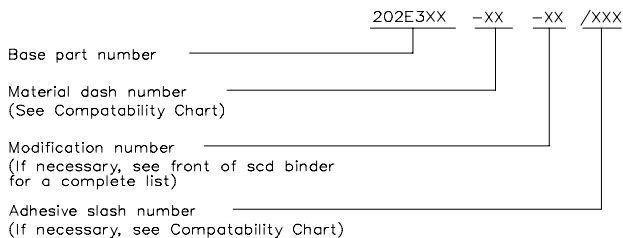
Part Number : 202E332 thru 353

Description : Boot, Straight

COMPATABILITY CHART					
MATERIAL DASH NO.	MATERIAL DESCRIPTION	RT SPEC	COATING SLASH NO.	COATING S NO.	COATING DESCRIPTION
-3	Polyolefin, Semi-rigid	RT-301	/42;/86	S-1017;S-1048	Adhesive
-4	Polyolefin, Flexible	RT-1304	/42;/86	S-1017;S-1048	Adhesive
-12	*VITON, Flexible	RT-1312	N/A		
-25	Elastomer, Fluid Resistant	RT-1325	N/A		

\*VITON is a Registered Trademark of Dupont

## ORDERING INFORMATION



THIS DRAWING IS SUBJECT TO CHANGE WITHOUT NOTICE; CONSULT YOUR  
NEAREST FIELD REPRESENTATIVE FOR CURRENT REVISION

**Raychem**

RAYCHEM CORPORATION  
300 CONSTITUTION DRIVE  
MENLO PARK, CALIFORNIA 94025

Revision : L

Date : 9/22/94

Part Number : 202E332 thru 353

Description : Boot, Straight

CAD FILE MP94268