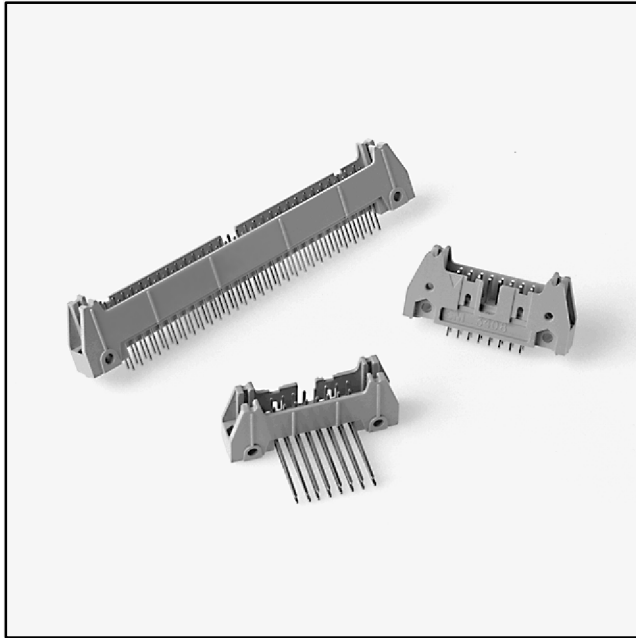


# 3M™ Pak 100 4-Wall Header

.100" × .100" Latch/Ejector, Straight and Right Angle, High Temp Option 3000 Series



- Military (with 3M's 3518 polarizing key) and centerbump polarization
- Optional ejector latches
- Mounting holes for securing header to board
- Solder tail and wrap tail options
- Optional polarizing posts
- High temperature option

Date Modified: May 30, 2003

TS-0772-03  
Sheet 1 of 4

---

## Physical

### Insulation

Material: Glass Filled Polyester (PBT)  
Glass Filled Polyester (PCT — High Temp Option)

Flammability: UL 94V-0

Color: Gray, Standard  
Beige (High Temp Option)

### Contact

Material: Copper Alloy

### Plating

Underplate: 100 μ" [ 2.54 μm ] Nickel — QQ-N-290, Class 2  
Wiping Area: Gold — MIL-G-45204, Type II, Grade C  
Solder Tails: 200 μ" [ 5.08 μm ] 60/40 Tin Lead — MIL-P-81728  
Wrap Tails: Gold Flash, Standard

Marking: 3M Logo, Part Identification Number and Orientation Triangle

---

## Electrical

Current Rating: 1 A

Insulation Resistance:  $>1 \times 10^9 \Omega$  at 500 Vdc

Withstanding Voltage: 1000 Vrms at Sea Level

---

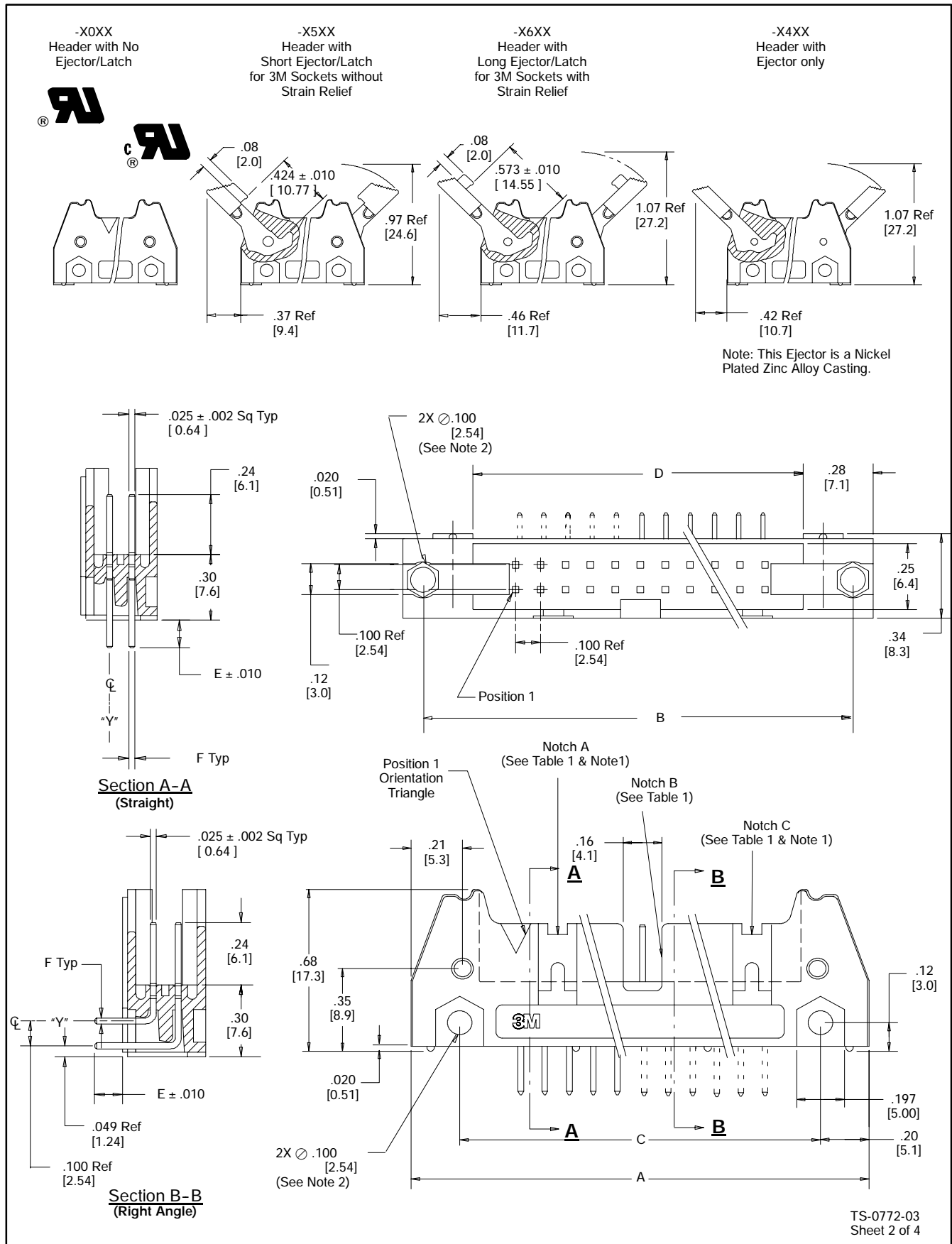
## Environmental

Temperature Rating: -55°C to +105°C  
High Temp Process Rating: Maximum 235°C, with 90 seconds over 215°C

UL File No.: E68080

# 3M™ Pak 100 4-Wall Header

.100" × .100" Latch/Ejector, Straight and Right Angle, High Temp Option 3000 Series

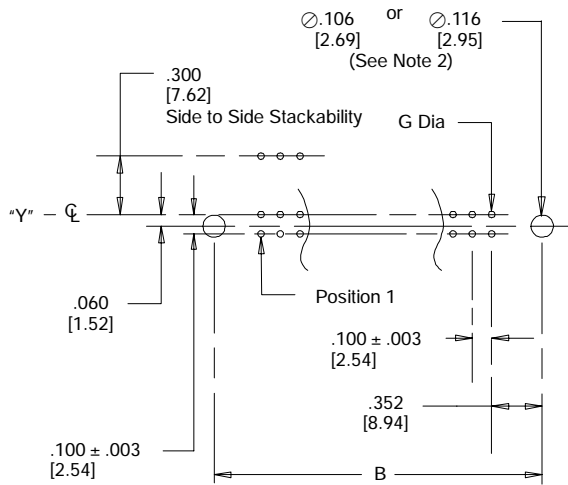


# 3M™ Pak 100 4-Wall Header

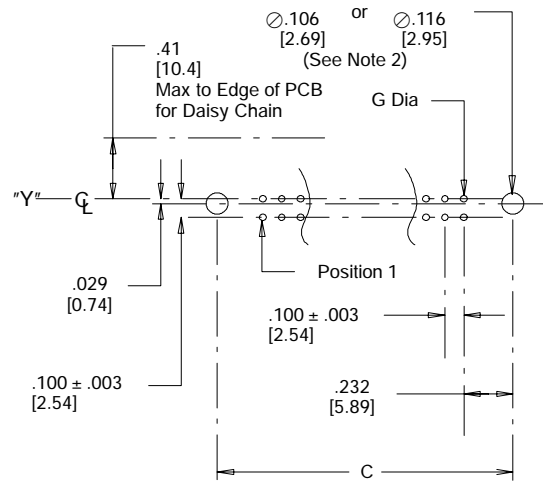
.100" × .100" Latch/Ejector, Straight and Right Angle, High Temp Option 3000 Series

Pin Quantity	3M Part Number	Dimensions				Polarization Notches Provided
		A	B	C	D	
10	3793	1.26 [32.1]	1.105 [28.07]	.865 [21.97]	.71 [18.0]	B C
14	3314	1.46 [37.2]	1.305 [33.15]	1.065 [27.05]	.91 [23.1]	B C
16	3408	1.56 [39.7]	1.405 [35.69]	1.165 [29.59]	1.01 [25.6]	A B C
20	3428	1.76 [44.8]	1.605 [40.77]	1.365 [34.67]	1.21 [30.7]	A B C
24	3627	1.96 [49.8]	1.805 [45.85]	1.565 [39.75]	1.41 [35.8]	A B C
26	3429	2.06 [52.4]	1.905 [48.39]	1.665 [42.29]	1.51 [38.3]	A B C
30	3440	2.26 [57.4]	2.105 [53.47]	1.865 [47.37]	1.71 [43.43]	A B C
34	3431	2.46 [62.6]	2.305 [58.55]	2.065 [52.45]	1.91 [48.5]	A B C
40	3432	2.76 [70.2]	2.605 [66.17]	2.365 [60.07]	2.21 [56.1]	A B C
50	3433	3.26 [82.9]	3.105 [78.87]	2.865 [72.77]	2.71 [68.8]	A B C
60	3372	3.76 [95.6]	3.605 [91.57]	3.365 [85.47]	3.21 [81.5]	A B C
64	3764	3.96 [100.7]	3.805 [96.65]	3.565 [90.55]	3.41 [86.6]	A B C

3M Part Number Suffix	Contact Tail	Dimension E	Pin Cross Section			Dimension G
			Dimension F	Diagonals	Corner Radii	
-5XX2 -6XX2	Solder Tail for .062 [1.57] Thick PC Board	.112 [2.84]	0.0245 ± .0005 [0.622]	0.028 ± .001 [0.71]	0.0075 Ref [0.191]	.035 ± .003 [0.89] (See Note 3)
-5X03 -6X03	Solder Tail for .094 [2.39] to .125 [3.18] Thick PC Board	.155 [3.94]	0.0245 ± .0005 [0.622]	0.028 ± .001 [0.71]	0.0075 Ref [0.191]	.035 ± .003 [0.89]
-5X05 -6X05	Wire Wrap Tail for up to 3 Levels of Wire Wrap	.61 Ref [15.5]	0.0250 ± .002 [0.635]	0.035 ± .003 [0.90]	0.003 Max [0.08]	.045 ± .003 [1.14]



Recommended Mounting Hole Pattern  
(Straight)



Recommended Mounting Hole Pattern  
(Right Angle)

Inch  
[mm]

Notes:

- Notches A & C will accommodate 3M Polarizing Keys (3M Part #N3518).
- Accepts Rear and Front mounting hardware:  
Rear Entry: #4-24 thread cutting screw, 3M Part #3341-5, .116 [2.95] dia mounting hole  
Front Entry: (Prior to installation of latch on Straight Versions) #2-56 bolt and nut, 3M Part #3341-6, .106 [2.69] dia mounting hole
- The recommended PCB hole size for the kinked tail positions on the .112 solder tail connector is .035 ± .002. Refer to TS-0972 for the positions kinked.

Tolerance Unless Noted			
	.0	.00	.000
Inch	± .1	± .01	± .005

[ ] Dimensions for Reference only

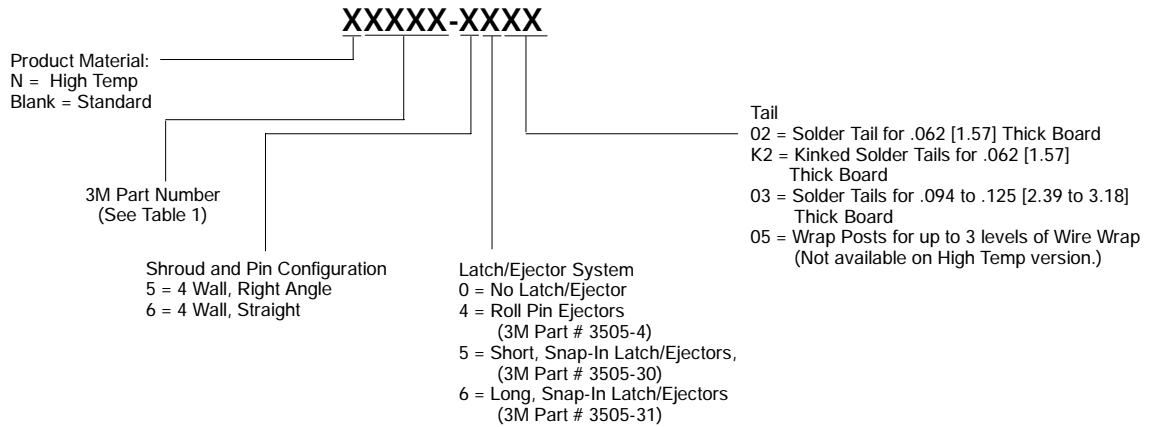
TS-0772-03  
Sheet 3 of 4

# 3M™ Pak 100 4-Wall Header

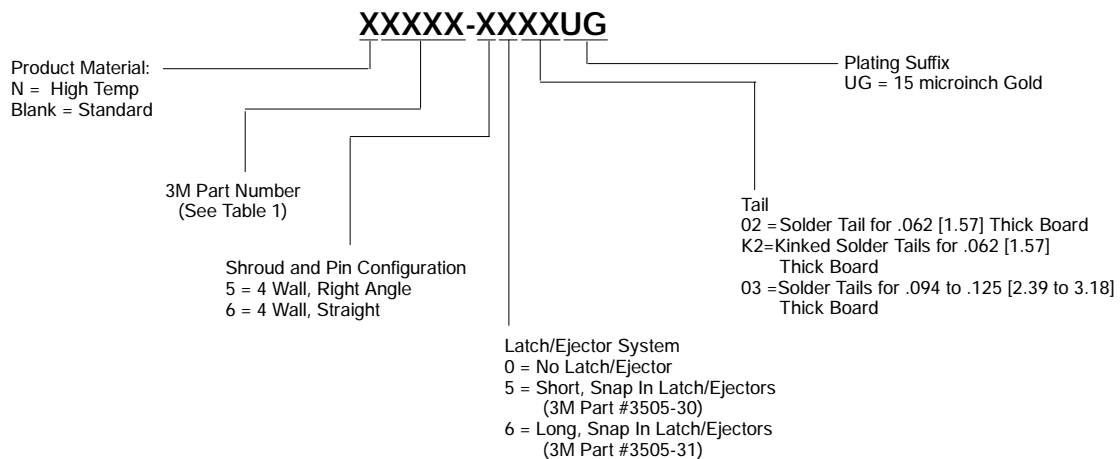
.100" × .100" Latch/Ejector, Straight and Right Angle, High Temp Option 3000 Series

## Ordering Information

### 30 Microinches Gold Plated Product



### 15 Microinches Gold Plated Product



TS-0772-03  
Sheet 4 of 4

### **Important Notice**

All statements, technical information, and recommendations related to 3M's products are based on information believed to be reliable, but the accuracy or completeness is not guaranteed. Before using this product, you must evaluate it and determine if it is suitable for your intended application. You assume all risks and liability associated with such use. Any statements related to the product which are not contained in 3M's current publications, or any contrary statements contained on your purchase order shall have no force or effect unless expressly agreed upon, in writing, by an authorized officer of 3M.



### **Electronic and Interconnect Solutions Division**

6801 River Place Blvd.  
Austin, TX 78726-9000  
[www.3M.com/eisd](http://www.3M.com/eisd)

### **Warranty; Limited Remedy; Limited Liability.**

This product will be free from defects in material and manufacture for a period of 1 year from the date of purchase. **3M MAKES NO OTHER WARRANTIES INCLUDING, BUT NOT LIMITED TO, ANY IMPLIED WARRANTY OF MERCHANTABILITY OR FITNESS FOR A PARTICULAR PURPOSE.** If this product is defective within the warranty period stated above, your exclusive remedy shall be, at 3M's option, to replace or repair the 3M product or refund the purchase price of the 3M product. **Except where prohibited by law, 3M will not be liable for any loss or damage arising from this 3M product, whether direct, indirect, special, incidental or consequential regardless of the legal theory asserted.**