



RN-52 Bluetooth Hookup Guide

CONTRIBUTORS:  JOELEB

Overview

The RN-52 is a sleek Bluetooth audio module from Roving Networks. It allows you to send stereo audio over a wireless Bluetooth connection. The module has an embedded DSP that handles the audio stream entering and exiting the module, converting the digital wireless signals into audio and vice versa. The module is easy to configure with both ASCII commands and GPIO. It can function as a stand alone module, or it can be incorporated with a microprocessor to create the ultimate wireless audio experience.



Covered in this Tutorial

In this tutorial, we will go over some of the module's features. We'll show you how to configure the module to suit your projects needs, how to hook it up, and go over a simple example project using the RN-52.

Suggested Reading

- [Bluetooth Basics](#)

- Serial Terminal Basics
- What is Arduino?
- Serial Communications
- How to Use a Breadboard

The RN-52 Module

Before we get in to the breakout board, let's discuss the module and its features.



As with any product, it is wise to read the datasheet before embedding this device into a project.

Bluetooth Version

The RN-52 is a Bluetooth v3.0 module. It is compatible with all Bluetooth v3.0 devices and also backwards compatible with all Bluetooth v2.1 + EDR, 1.2, and 1.1 devices.

Bluetooth Profiles

Here is a list of all the profiles that the RN-52 supports.

- **SPP** - Serial Port Profile allows you to configure the device over a UART serial connection. This can also be used to send commands to the module from a microcontroller.
- **HFP/HSP** - Support of both Hands-Free Profile and Headset Profile mean the module can act as a headset device. This allows the it to send audio back and forth, just like a Bluetooth headset. You can send audio input through a microphone and receive audio output through a speaker or headphones.
- **A2DP** - Advanced Audio Distribution Profile sends audio in one direction, but the quality of that audio is better than the quality of HFP and HSP.
- **AVRCP** - A/V Remote Control Profile allows you to control certain features of your audio through the module. Tasks such as Play/Pause, Volume Up, and Volume Down can be controlled by inputs on the module.

- **iAP** - This is the iPod Accessory Protocol, and it allows you to connect the module to any Apple devices such as iPhones, iPods, and Mac laptops and computers.

***Note:** Multiple profiles can be implemented at once. The default settings are set to have all profiles discoverable.

Range

The RN-52 is a Class 2 Bluetooth device, meaning that the range of the on board antenna is about **10m**. Thus, you should be able to stream audio to the module from about 32 ft in open air. If you are streaming through walls or windows, that range will diminish.

Wireless Audio

The RN-52 is different than other Bluetooth modules in that it can stream audio. It does this via an on-board Digital Signal Processing (DSP) chip. When streaming audio *to* the RN-52, the DSP converts the radio waves sent from the transmitter device (phone, computer, etc.) into electrical signals that can then be sent to the amplifier and then to your audio output (speakers/headphones). When streaming audio *from* the module, it converts the electrical signals from the audio input device (mic/line-in) to radio waves for the receiver device (stereo, computer, phone).

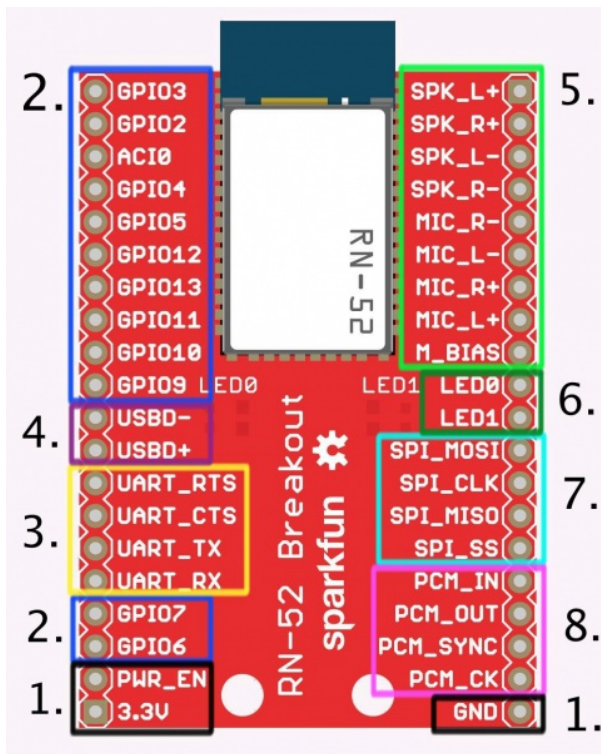
Many people ask why it isn't possible to send audio over just any old Bluetooth connection. The lack of an on-board DSP is the main reason most "regular" modules cannot support audio streaming.

Communication

Aside from a wireless Bluetooth connection, the RN-52 has four paths on which it can communicate to outside devices: UART, USB, SPI, and PCM. We'll discuss these in more depth in the next section.

The RN-52 Breakout

There is a lot going on with the RN-52 breakout board. Let's break it up into sections to find out what pins are needed for what purposes.



Here is the module broken up into sections by color (and numerically for the color-vision impaired).

1. Power

Powering the RN-52 is very simple. There are three pins necessary to power the board, 3.3V, GND, and power enable (PWR_EN). The supply voltage should be in the 3.0 ~ 3.6V range.

2. GPIO Pins

The RN-52 has eleven general purpose input/output pins (GPIO). Many of these pins are reserved for special functions when the module is booted up and when the module is running. These pins also act as input pins for specific functions during audio playback. These can be configured to control media programs such as iTunes or Windows Media Player (eg. Play, Pause, Next Song, etc.).

Table 1: Default GPIO Assignment and Functions

GPIO	Function	Use
2	Output: Toggles from HIGH to LOW for 100ms to indicate a state change in the RN52. MCU should enter CMD mode and poll state register using "Q" action command. This IO is reserved and NOT available for general use at runtime.	Runtime, RESERVED
3	INPUT @ bootup: enter DFU MODE at boot time if USB device powers VBUS. PIO3 requires 47K to ground and 22K to USB VBUS if USB VBUS is supplying power to main board.	Bootup, Config
4	INPUT @ boot up: enter factory reset mode if driven LOW.	Bootup, Config
5	INPUT @ runtime, used for VOL-UP button. LOW is active	Runtime, Config
6	INPUT/OUTPUT at runtime	Runtime, Config
7	INPUT @ boot time, driven LOW will set UART baud rate to 9600, HIGH default baud 115200	Bootup, Config
9	INPUT: Driven LOW will put UART in CMD mode, other left to float HIGH, UART is in data mode. This IO is reserved and NOT available for general use at runtime.	Runtime, RESERVED
10	INPUT @ runtime, used for VOL-DN.button, LOW is active	Runtime, Config
11	INPUT @ runtime, used for PREV-TRACK button, LOW is active	Runtime, Config
12	INPUT @ runtime, used for NEXT-TRACK button, LOW is active	Runtime, Config
13	INPUT @ runtime, used for PLAY/PAUSE button, LOW is active	Runtime, Config

This table shows each GPIO and its function.

The most important pin to take note of is **GPIO9**. If you are familiar with other versions of Roving Network's Bluetooth modules, you may also be familiar with the \$\$\$ command used to enter command mode on the module. On this module, however, there is only one way to enter command mode, by pulling GPIO9 LOW.

There is also one analog input/output line, AIO0.

3. UART

The UART lines are used to communicate with and configure the RN-52. Used in conjunction with GPIO9, the UART will allow you to send and receive serial commands to and from the module.

The UART can also be used to connect the module to an external microcontroller that issues commands and handles status updates.

4. USB

The USB lines are strictly used for **device firmware update** (DFU) mode. Used in conjunction with GPIO3, the USB+ and USB- lines allow you to upload new firmware directly to the RN-52.

5. Audio In/Out

These pins are reserved for audio input and output. The RN-52 comes ready to stream audio right out of the box. You can attach speakers directly to the speaker pins and get immediate gratification from wireless music. The RN-52 has a **built in integrated amplifier** capable of driving two 16Ω speakers or most standard headphones. The speaker outputs can also be attached to an external amplifier for greater amplification.

The RN-52 also supports audio input on the Mic pins.

6. Status LEDs

There are two status LEDs located on the breakout board. However, if you wish to place the board in an enclosure, these lines are broken out for external LEDs. The LEDs are configured as open drain output, meaning that they must be driven HIGH to activate the the LED.

LED0	LED1	Description
Flashing	Flashing	The RN52 module is discoverable.
Flashing	Off	The module is connectable.
Off	Flashing	The module is connected.

Note: Flashing refers to the LEDs flashing alternatively. If you see the LEDs flashing in unison, then you are in DFU mode. Please check pin 3 if you have entered DFU mode by accident.

7. SPI

External audio codecs can be sent over the SPI lines.

8. PCM




Another option for communicating with the module is the Pulse-Code Modulation (PCM) pins. PCM is a way to digitally represent sampled analog signals. This is done over an I²S connection. External audio codecs can be sent over these lines as well.






Hardware Setup

Before you can configure the module, some hardware needs to be connected. This section will cover the necessary hardware needed to work with the RN-52.

Materials Needed

Aside from an RN-52 Breakout, you will need the following:

RN-52 Breakout SparkFun Wish List	
	(2) Break Away Headers - Straight PRT-00116 A row of headers - break to fit. 40 pins that can be cut to any size. Us...
	(2) Breadboard - Translucent Self-Adhesive (Clear) PRT-09567 **Description**: Ever wonder what goes on inside these things? Well t...
	Jumper Wires Standard 7" M/M Pack of 30 PRT-11026 If you need to knock up a quick prototype there's nothing like having a...
	(6) Mini Pushbutton Switch

	COM-00097 We use these little buttons on everything! These Miniature Single Pol...
	SPDT Mini Power Switch
	COM-00102 (2) Speaker - 0.5W (8 ohm) Simple SPDT slide switch. Rated at 30V/200mA. The pins have .1" sp... COM-09151 A small audio speaker that is ideal for radio and amplifier projects and...
	SparkFun Breadboard Power Supply Stick 5V/3.3V PRT-10804 This is a very simple board that takes a 6-12V input voltage and outp...
	SparkFun FTDI Basic Breakout - 3.3V DEV-09873 This is the newest revision of our [FTDI Basic](http://www.sparkfun.co...

Wiring the RN-52

In order to use the RN-52, you must first decide how you will connect external hardware to the breakout board. One option is to solder female headers to both sides of the breakout. Second, you can solder wire directly to the breakout. Another option, and the one that will be used in all the demos in this tutorial, is to solder straight male headers to the breakout so that it can be used in a breadboard.

***Note:** The RN-52 breakout is too large to fit on a standard breadboard. Thus, you will need to attach two breadboards side by side.

***Note:** The antenna on the RN-52 is very sensitive to interference. When placing the breakout on a breadboard, be sure that the antenna is hanging off the breadboard as far as is will go. This will prevent the metal inside the breadboard from interfering with the range of the module. Keep this in mind if you are designing your own PCB as well.

Power

First and foremost, the RN-52 is a **3.3V** device. It can handle an input voltage of about 3.0 - 3.6V. Voltages above or below this range can result in the module not working properly or, worse, damaging the module. Make sure you select a power supply that can provide the correct amount of voltage to the device.

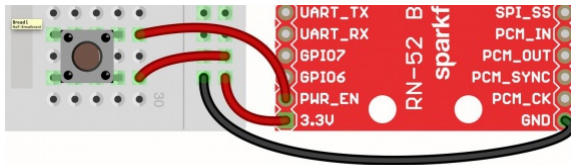
In this example, we'll be using an Breadboard Power Supply to provide 3.3V to the breakout. If you would like to power the breakout with a battery, make sure the battery can provide the correct amount of voltage. We recommend using a LiPo Battery in conjunction with the LiPower board set for 3.3V.

As usual, connect the GND pin to GND, and connect the 3.3V pin to the Vcc pin on the supply. That just leaves the power enable pin (PWR_EN). This can be hooked up one of two ways. The first method is to simply jumper the PWR_EN pin to 3.3V. This will cause the module to start up immediately once it is powered.



Make this connection on the breadboard, or solder a small jumper wire.

The PWR_EN pin can also be attached to a button to allow the user to power up the module when it is desired, even if power is already supplied. This is useful in headset/hands-free applications where a battery is attached to the module but the module doesn't need to be on all the time.



Hold down the momentary push button, and, after about 1 second, the RN-52 will power up. Then release the push button.

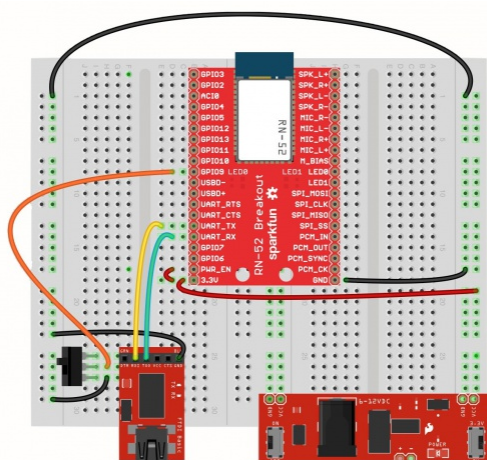
GPIO9

GPIO9 is used to tell the module to enter command mode. If GPIO9 is HIGH or left floating, the module will remain in its default data mode, streaming audio or data. In order to enter command mode, **GPIO9 must be pulled LOW**. This can be accomplished by simply connecting GPIO9 to GND with a jumper wire. In this example, a switch is used to easily enter and exit command mode.

UART

You will need a way to communicate to the module and send commands. This will be accomplished with a 3.3V FTDI Basic. Connect GND to GND, TXO to UART_RX, and RXI to UART_TX. Those are the only connections needed to talk to the module.

With that, you should have something that looks like this:

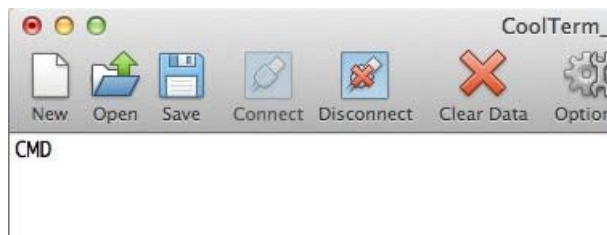


We're now ready to dive in and see how the RN-52 can be configured.

Configure the Module

Now that you can actually power up the RN-52 and send it into command mode, let's talk about changing the settings, and thus the behavior, of the Bluetooth module.

1. Make sure the CMD Mode switch is in the OFF position (GPIO9 NOT shorted to GND).
2. Turn on your RN-52.
3. The two status LEDs should both stay solid for about 1 second and then begin flashing alternately.
4. Your device is now ready to make a connection. Rather than connect over Bluetooth, the connection will be made over the serial UART.
5. Open a terminal window on the port your RN-52 has been assigned (115200 Baud, 8,N,1).
6. With the terminal open and connected to the RN-52, flip the CMD Mode switch to the ON position (GPIO9 shorted to GND). You should now see `CMD` appear in your terminal.



You are now in Command Mode!

To exit command mode, simply flip the switch back to the OFF position.

You will see `END` appear in the window.

***Note:** The RN-52 can enter and exit CMD mode *while* streaming music.

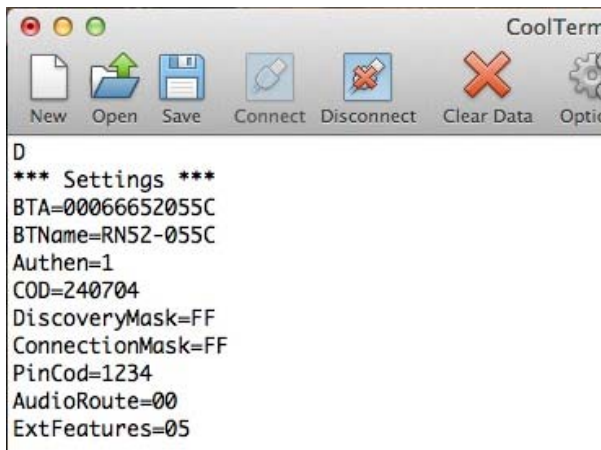
Now let's explore the module's settings.

This portion of the tutorial will only briefly touch on the command set. To see a list of all the RN-52 commands, read the Command Reference User Guide.

Get Commands

Get commands query the device for information.

D - Displays the basic settings such as name, address, pin code, etc.



Set Commands

Set commands change actual settings of the module such as name, profile mode, and extended features.

SN,<string> - changes the name of your RN-52. The default name is RN52-xxxx, where the last four numbers are the same last four numbers of the RN-52's address. If you only have one RN-52, you can change the name to whatever you'd like. If you have multiple RN-52s active, it may be best to keep the default names for identification purposes.

SA,<value> - sets the authentication mode. If you don't want others snooping in on your tunes, be sure to enable some sort of authentication.

All set commands are followed by an `AOK` if the command was entered correctly and an `ERR` if it was not.

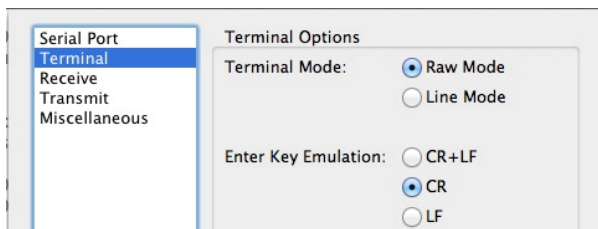
If you change any set commands, you must reboot the module before the settings will take effect. Type `R,1(/r)` to reboot the module.

Action Commands

Action commands tell the module what action to take. With these commands, you can accept incoming calls, change the volume, change the track, and pause your music. Check out the Command Reference for a complete list of action commands.

Troubleshooting

- If you cannot talk to the RN-52 over the serial port, make sure you are connected at the correct baud rate (default:115200).
- To change the baud rate, GPIO7 must be pulled LOW (it is HIGH by default). This will set the baud rate to 9600. 115200 and 9600 are the only two baud rates available on the RN-52.
- If you need to implement a factory reset, send `SF,1(/r)` to reset the module, then `R,1(/r)` to reboot it.
- The commands for the RN-52 all terminate with a carriage return (`\r`), *not* with a carriage return/line feed. If you keep seeing `?` after every command you enter, there should be a setting in your serial terminal to turn on *just* carriage return.



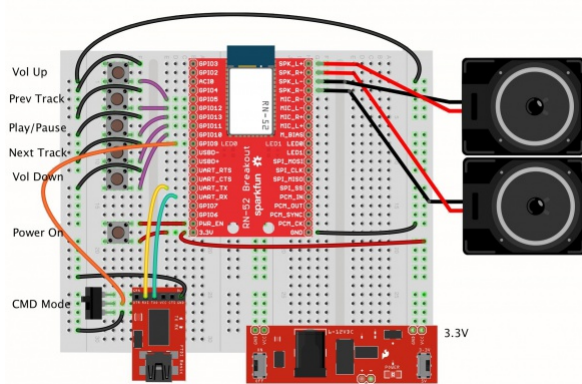
This is especially important to note if you plan on having a microcontroller communicate with the RN-52.

Streaming Tunes

Enough talk. Let's stream some tunes! The RN-52 comes ready to begin streaming tunes from most any Bluetooth audio-capable device. However, to add external control functions such as play, skip, and volume, you'll need to make a few small adjustments.

Hardware

Using the same setup from the Hardware Setup section, let's add a few more pieces. By connecting a few buttons and some speakers, the RN-52 becomes a full-on music station and remote. The image below shows all the connections and the functions of each button.



The functions for each GPIO can be found in the datasheet.

Configuration

By default, the RN-52 does not have the AVRCP enabled. This is part of the extended features. When you type `D` to see the basic settings, you'll notice a line that says `ExtFeatures=XX`, where `XX` is some hex value. As of this writing, the default firmware comes with the AVRCP buttons disabled. Future versions of the firmware may differ. Looking in the Command Specifications document, we find this table:

<code>%,<hex8></code>	Extended Feature
	Bit 0 - enable AVRCP buttons for EK
	Bit 1 - enable reconnect on power-on
	Bit 2 - discoverable on start up
	NOTE: Extended features default value is set at factory to <code>00</code> for RN52 modules and <code>07</code> for RN52EK. The " <code>SF,1</code> " does NOT change this value. It must be changed with " <code>S%,<hex8></code> " command.

EK is the Evaluation Kit Roving Networks sells and comes with the AVRCP enabled by default.

Notice that bit 0 is the bit we need to enable to activate the AVRCP button functionality. Send the command `S%,07(/r)` to enable this bit while leaving the other two bits enabled. Then follow it up with a reboot – `R,1(/r)`. You should now have AVRCP enabled. Type `D` to double check the settings.

```

CoolTerm
New Open Save Connect Disconnect Clear Data Options
D
*** Settings ***
BTA=00066652055C
BTName=RN52-055C
Authen=1
COD=240704
DiscoveryMask=FF
ConnectionMask=FF
PinCod=1234
AudioRoute=00
ExtFeatures=05
S%,07
AOK
R,1
Reboot!
CMD
D
*** Settings ***
BTA=00066652055C
BTName=RN52-055C
Authen=1
COD=240704
DiscoveryMask=FF
ConnectionMask=FF
PinCod=1234
AudioRoute=00
ExtFeatures=07

```

That's really the only setting that needs changed for this example.

Connect and Play

You are now ready to connect to your Bluetooth device and start streaming some music. Directions on how to pair and connect to the RN-52 can also be found in section 1.4 of the user guide.

***Note:** The quality of the audio will depend on which speakers you've attached. Testing the RN-52 with two 8Ω stereo speakers worked great. However, without external amplification, the volume needs to be cranked up to achieve normal indoor volume. If you're not satisfied with the volume, an external amp can be connected to the speaker pins. We recommend using the Audio Amplifier Kit.

Resources and Going Further

Wireless music, how sweet it is! We've only just scraped the surface of what the RN-52 is capable of. Try your hand at a project that incorporates the RN-52. You could create your own wireless headset. You could have a home theater system that can stream music from your mobile device. You could even connect an RN-52 to your car stereo and stream tunes from your phone as you travel. The possibilities are endless!

Resources

Here are all the documents listed in this tutorial:

- RN-52 Datasheet
- RN-52 Command Reference User Guide
- RN-52 Command Specifications

Also, don't forget to check out the RN-52 GitHub page for all the hardware files and info.

This site is a handy Bluetooth Class of Device (CoD) generator.

For more tutorial action, check out these related tutorials:

- BC127 Audio Bluetooth Hookup Guide
- Interactive Hanging LED Array
- BlueSMiRF Hookup Guide
- MetaWatch Teardown and Hookup Guide