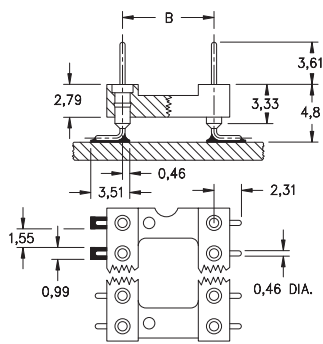


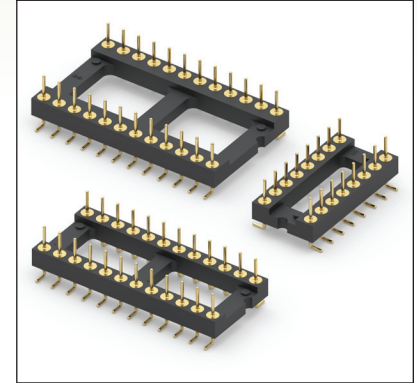
DUAL-IN-LINE HEADERS

SERIES 150 • SURFACE MOUNT, GULL WING • OPEN FRAME



See page 130 for Insulator Details

- Surface mount Gull Wing DIP headers for adapters and board stacking on 2,54 lead spacing
- Gull wing terminals provide maximum strength and permit easy visual inspection of solder joints
- Series 150 uses MM #3404 pins. See page 212 for details
- Insulators are high temperature thermoplastic, suitable for all soldering operations
- For Electrical, Mechanical and Environmental Data, see page 264 for details



Total number of pins				Quantity per tube	ORDERING INFORMATION			
	A	B	C					
10	12,6	5,08	7,6	40	150-10-210-00-106000			
4	5,0	7,62	10,1	102	150-10-304-00-106000			
6	7,6	7,62	10,1	67	150-10-306-00-106000			
8	10,1	7,62	10,1	50	150-10-308-00-106000			
10	12,6	7,62	10,1	40	150-10-310-00-106000			
14	17,7	7,62	10,1	29	150-10-314-00-106000			
16	20,3	7,62	10,1	25	150-10-316-00-106000			
18	22,8	7,62	10,1	22	150-10-318-00-106000			
20	25,3	7,62	10,1	20	150-10-320-00-106000			
22	27,8	7,62	10,1	18	150-10-322-00-106000			
24	30,4	7,62	10,1	16	150-10-324-00-106000			
28	35,5	7,62	10,1	14	150-10-328-00-106000			
20	25,4	10,16	12,7	20	150-10-420-00-106000			
22	27,8	10,16	12,7	18	150-10-422-00-106000			
24	30,4	10,16	12,7	16	150-10-424-00-106000			
28	35,5	10,16	12,7	14	150-10-428-00-106000			
32	40,6	10,16	12,7	12	150-10-432-00-106000			
24	30,4	15,24	17,7	16	150-10-624-00-106000			
28	35,5	15,24	17,7	14	150-10-628-00-106000			
32	40,6	15,24	17,7	12	150-10-632-00-106000			
36	45,7	15,24	17,7	11	150-10-636-00-106000			
40	50,8	15,24	17,7	10	150-10-640-00-106000			
42	53,3	15,24	17,7	9	150-10-642-00-106000			
48	60,9	15,24	17,7	8	150-10-648-00-106000			
50	63,5	15,24	17,7	8	150-10-650-00-106000			
52	66,0	15,24	17,7	7	150-10-652-00-106000			
50	63,5	22,86	25,3	8	150-10-950-00-106000	 XX=Plating Code See Below		
52	66,0	22,86	25,3	7	150-10-952-00-106000			
64	81,2	22,86	25,3	6	150-10-964-00-106000			
See page 264 for coplanarity information					SPECIFY PLATING CODE XX =			10
					Pin Plating	0,25µm Au		