

4

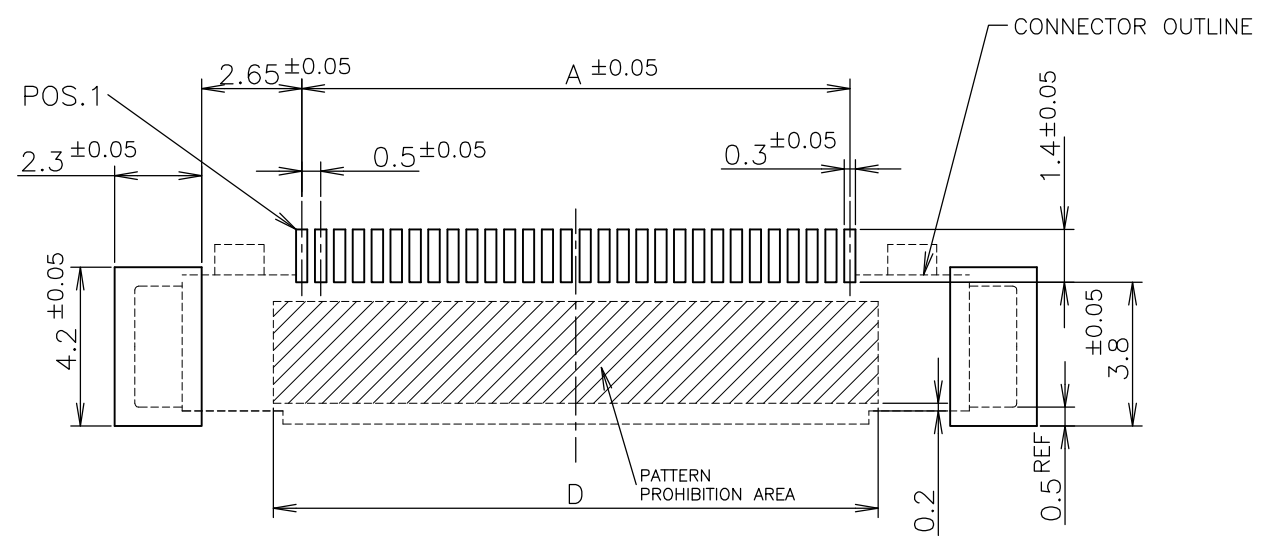
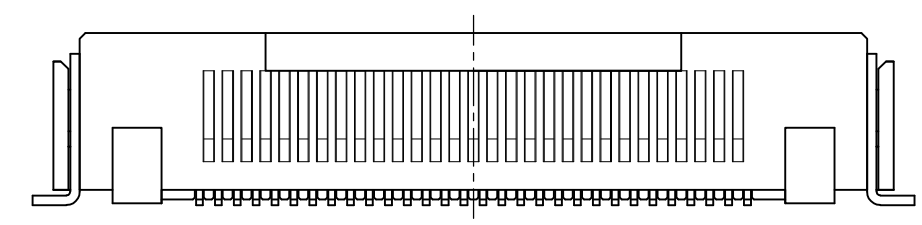
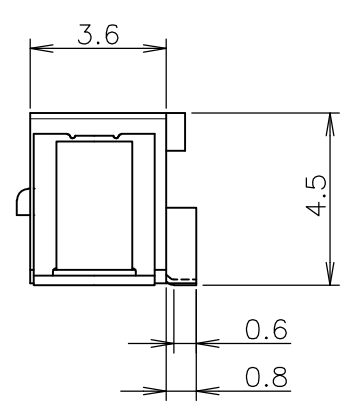
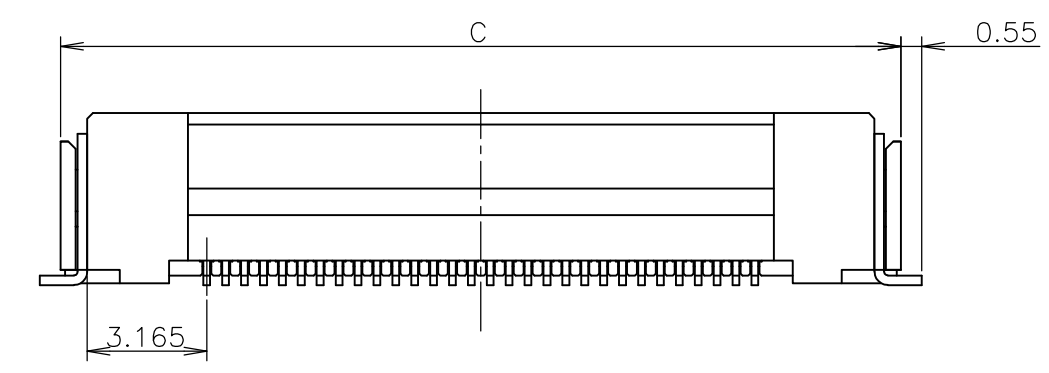
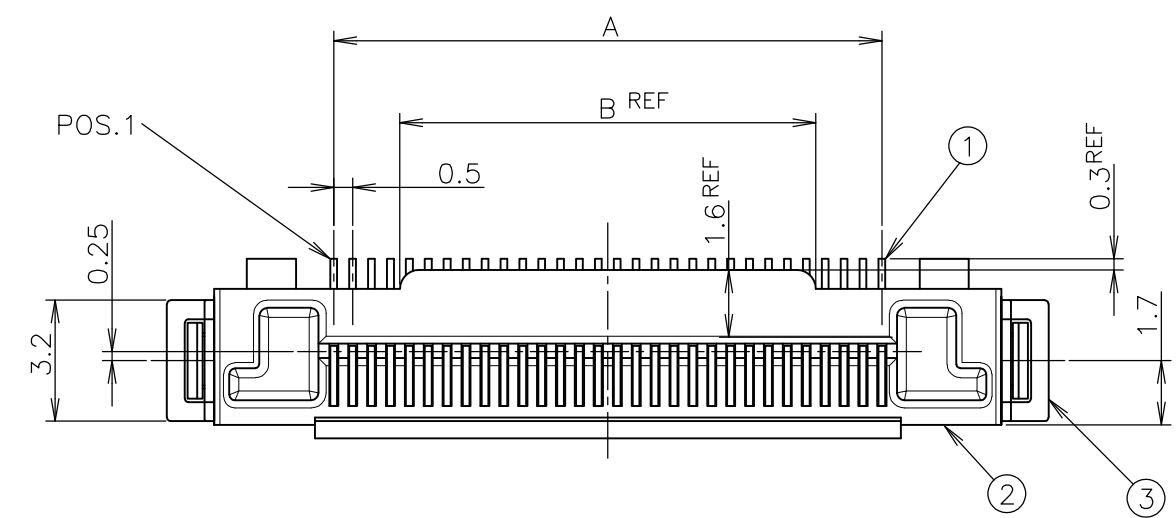
3

2

1

THIS DRAWING IS UNPUBLISHED. RELEASED FOR PUBLICATION FEB , 2008.
 © COPYRIGHT 2008 BY TYCO ELECTRONICS CORPORATION. ALL INTERNATIONAL RIGHTS RESERVED.

LOC	DIST	REVISIONS		
J	/	P	LTR	DESCRIPTION
		A	RELEASED	DATE
				DWN
				APVD
				26FEB08
				M.T
				T.F



D	C	B	A	POS	PART NO.
16	22.25	11	14.5	30	2013790-1
21	27.25	16	19.5	40	2013790-2

- 1 GENERAL TOLERANCE: ±0.3, ±3°
- △ MATERIAL
CONTACT : COPPER ALLOY
HOUSING : LCP (BLACK)
PEG : COPPER ALLOY
- △ CONTACT FINISH
Ni UNDER PLATE
Au PLATE ON CONTACT AREA
Sn PLATE ON SOLDER TINE
- △ PEG FINISH
Ni UNDER PLATE, Sn PLATE
- 5 CONTACT TINE COPLANALITY; 0.1mm MAX
- 6 PACKING AMOUNT 1000pcs

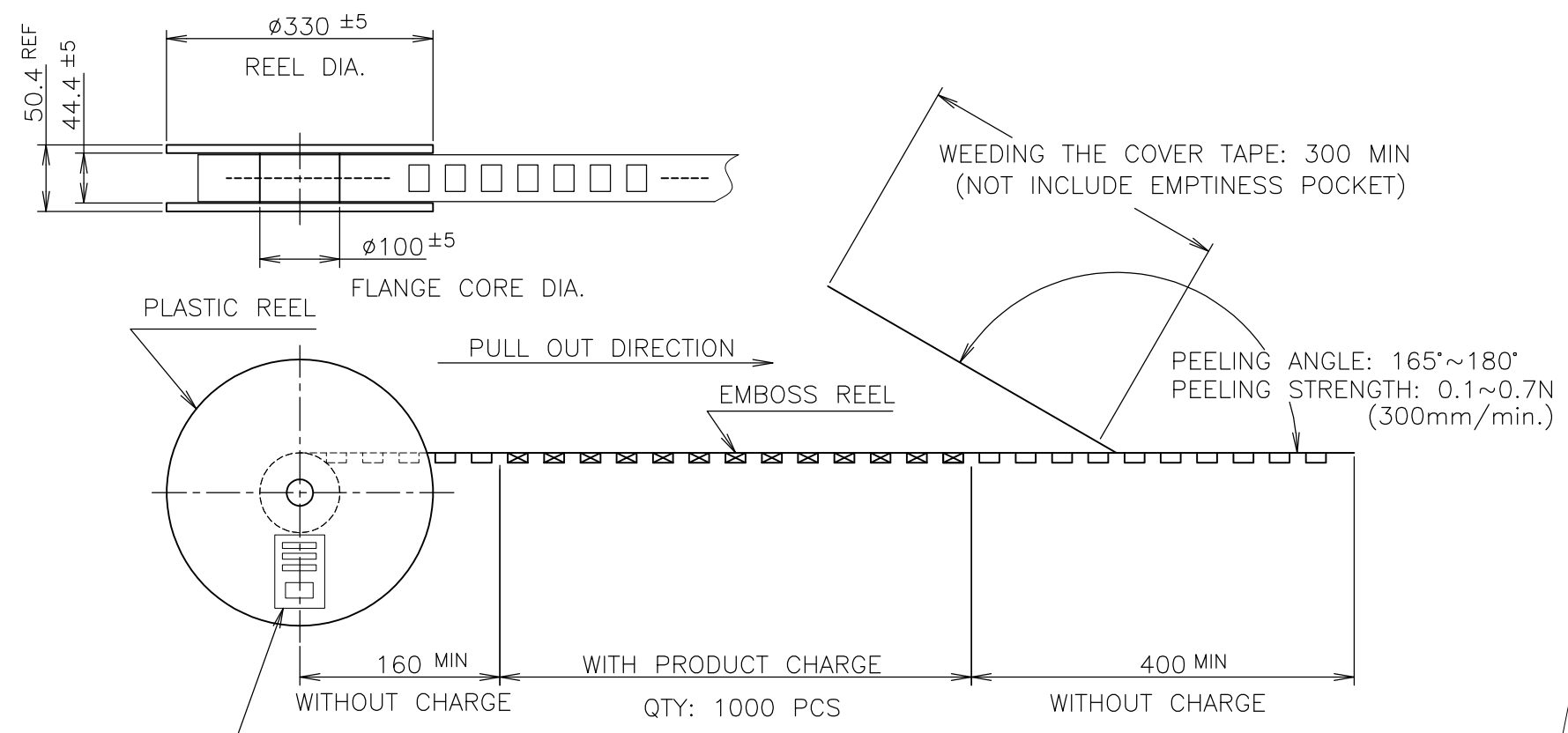
2	△	PEG	③
1	/	HOUSING	②
N	△	CONTACT	①
-		FINISH NAME	ITEM

REFERENCE P.C.BOARD LAYOUT

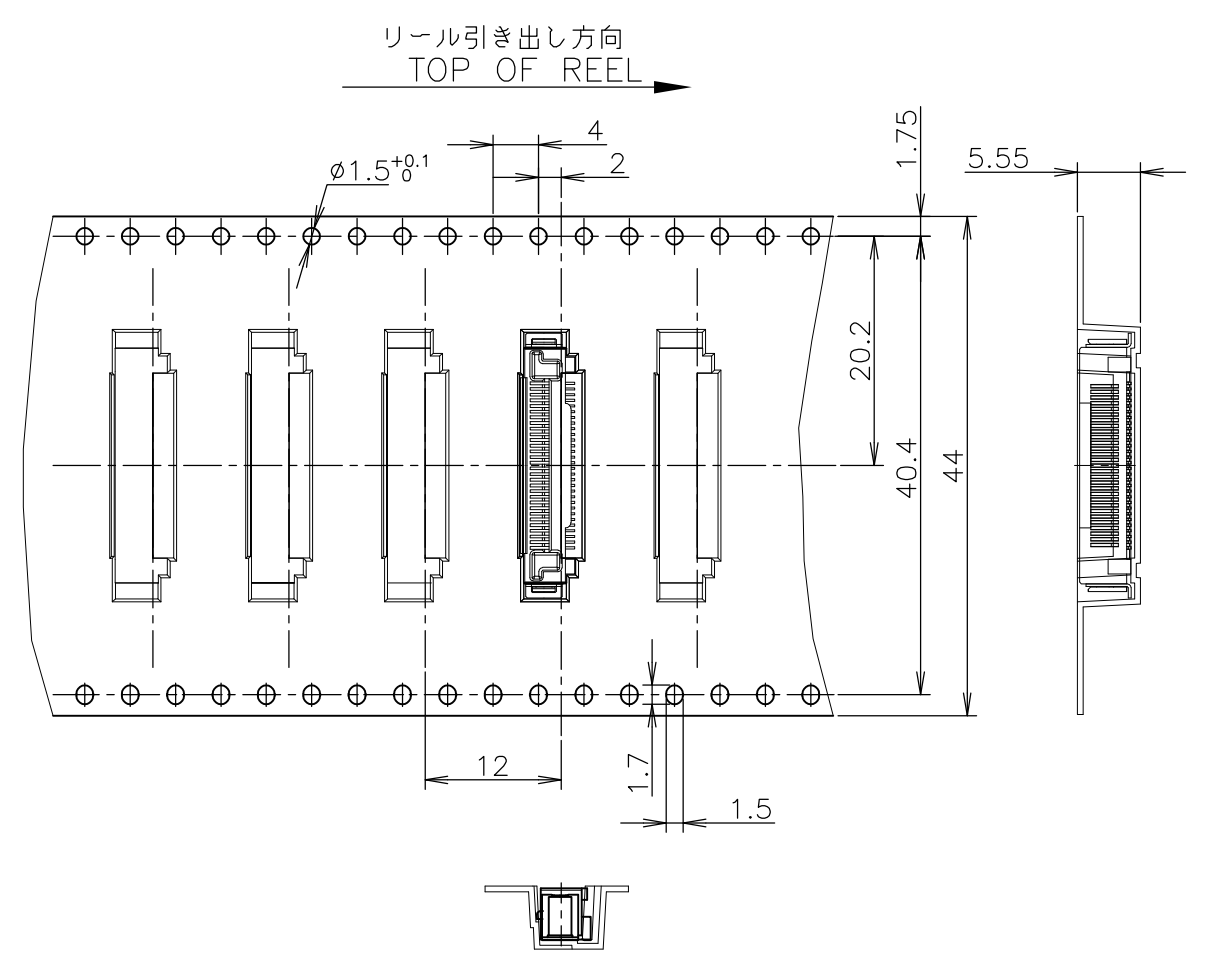
THIS DRAWING IS A CONTROLLED DOCUMENT.		DWN M.TANAKA 26FEB2008	Tyco Electronics Corporation Kawasaki, Japan	
DIMENSIONS: 単位: 耗 mm		CHK I.IGARASHI 26FEB2008	NAME 名称 FPC EASY MATING CONNECTOR, 0.5mm PITCH RECEPTACLE ASSEMBLY VERTICAL TYPE	
TOLERANCES UNLESS OTHERWISE SPECIFIED: 一般公差		APVD T.FUTATSUGI 26FEB2008	PRODUCT SPEC 製品規格	
0 PLC ± - 1 PLC ± - 2 PLC ± - 3 PLC ± - 4 PLC ± - ANGLES ± -		APPLICATION SPEC 取付適用規格	RESTRICTED TO 番号	
MATERIAL 材料	FINISH 仕上	WEIGHT	SIZE A3	CAGE CODE 00779
△	△ △		DRAWING NO 番号 G-2013790	SCALE 尺度 5:1
CUSTOMER DRAWING			SHEET 1 OF 2	REV A

THIS DRAWING IS UNPUBLISHED. RELEASED FOR PUBLICATION FEB , 2008.
 © COPYRIGHT 2008 BY TYCO ELECTRONICS CORPORATION. ALL INTERNATIONAL RIGHTS RESERVED.

LOC	DIST	REVISIONS					
J	/	P	LTR	DESCRIPTION	DATE	DWN	APVD
		-		SEE SHEET 1	-	-	-



LABEL DESCRIPTION
 TYCO P/N:
 QTY:
 D/C:
 MADE IN CHINA



THIS DRAWING IS A CONTROLLED DOCUMENT.		DWN	Tyco Electronics Corporation Kawasaki, Japan	
DIMENSIONS: 単位: 耗 mm		CHK	NAME 名称	
TOLERANCES UNLESS OTHERWISE SPECIFIED: 一般公差		APVD	FPC EASY MATING CONNECTOR, 0.5mm PITCH RECEPTACLE ASSEMBLY VERTICAL TYPE	
0 PLC ± - 1 PLC ± - 2 PLC ± - 3 PLC ± - 4 PLC ± - ANGLES ± -		PRODUCT SPEC 製品規格	SIZE	RESTRICTED TO
MATERIAL 材料		APPLICATION SPEC 取付適用規格	A3	
FINISH 仕上		WEIGHT	CAGE CODE 00779	DRAWING NO 番号 G-2013790
		CUSTOMER DRAWING	SCALE 尺度 1:5	SHEET 2 OF 2
				REV A