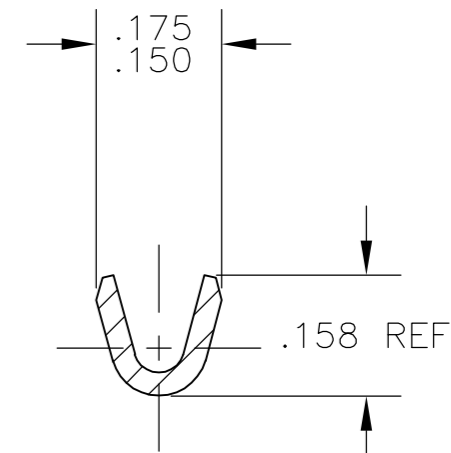
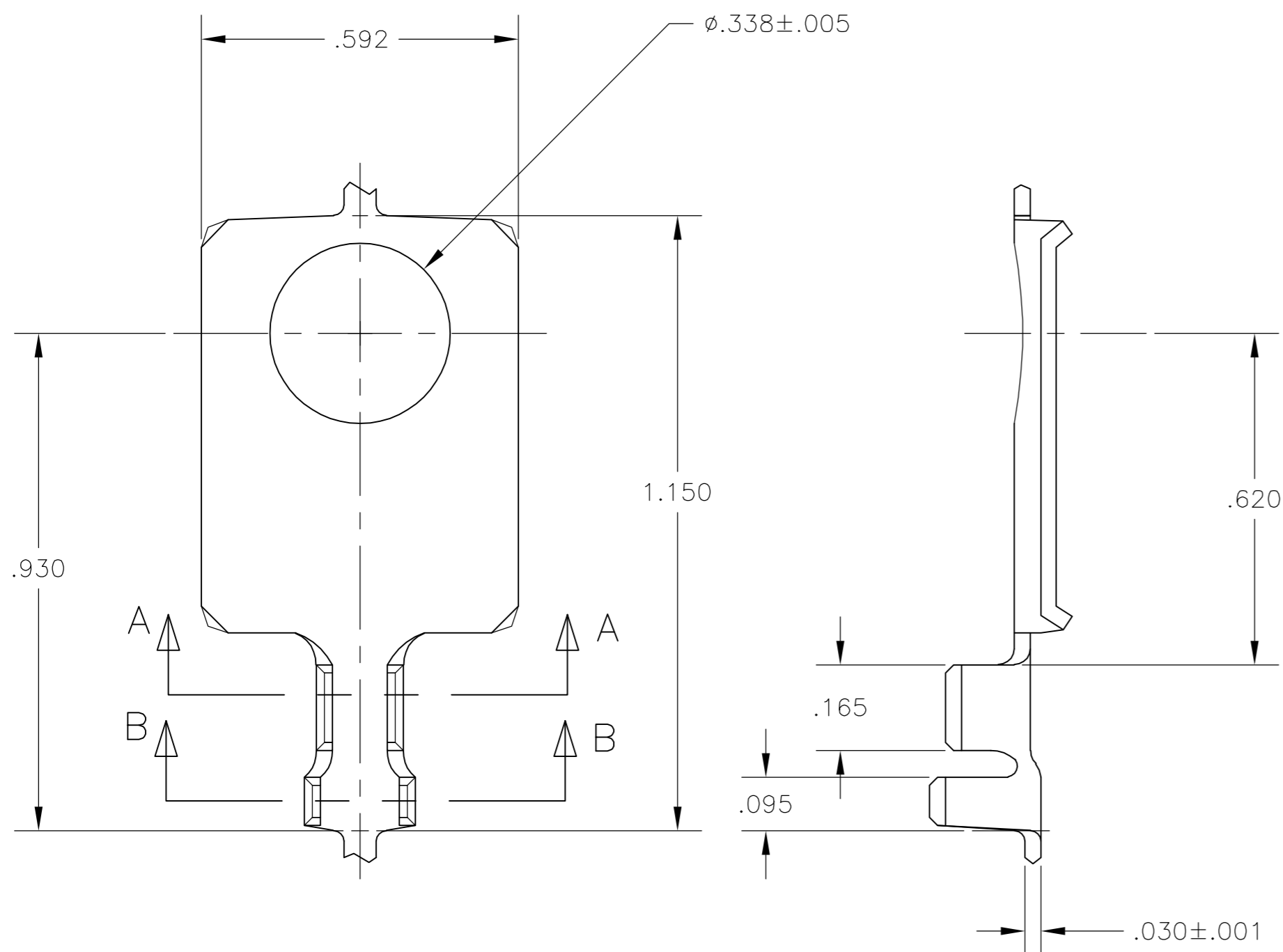
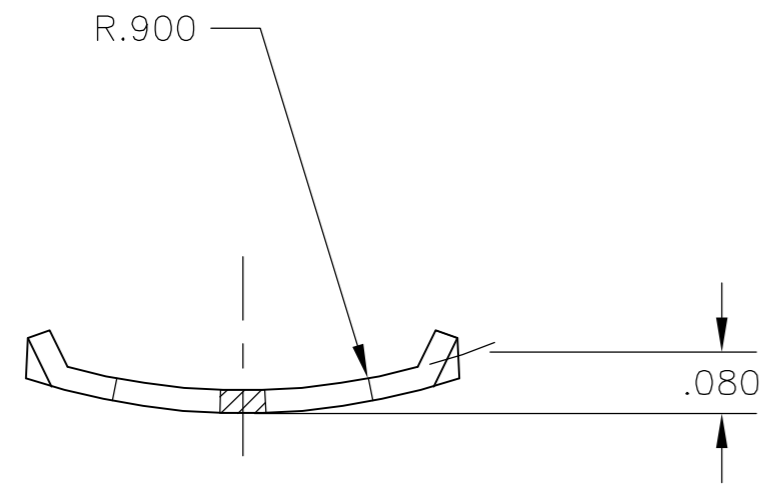


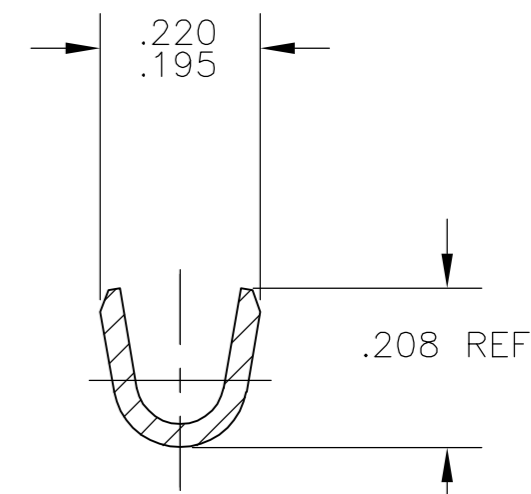
THIS DRAWING IS UNPUBLISHED. RELEASED FOR PUBLICATION  
 © COPYRIGHT BY TYCO ELECTRONICS CORPORATION. ALL RIGHTS RESERVED.

LOC		DIST		REVISIONS			
P	LTR	DESCRIPTION		DATE	DWN	APVD	
AF	50	E		REVISED PER OG3A-0959-04	10DEC04	MF DD	

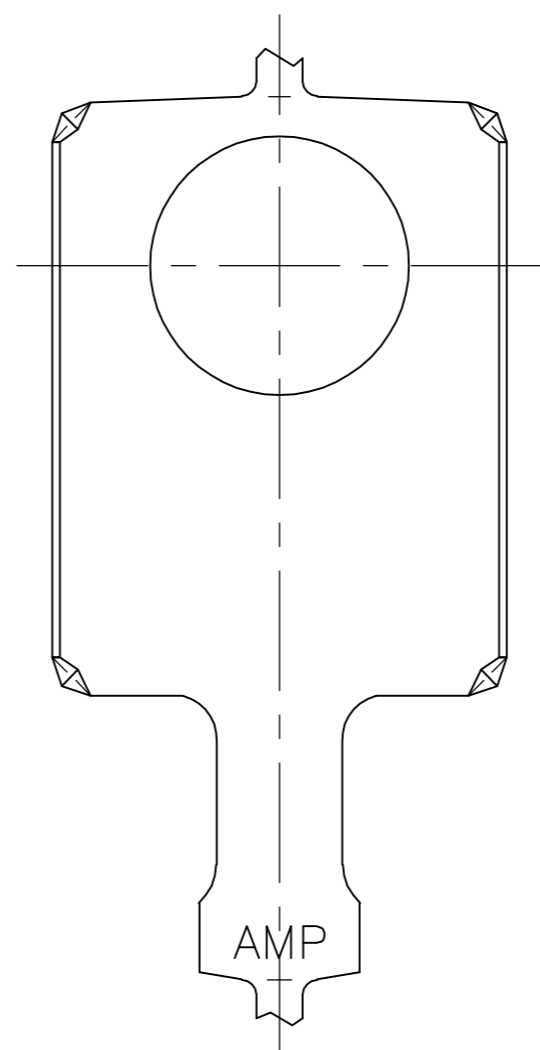
- 1 CONTINUOUS STRIP ON REELS.
- 2 WIRE RANGE: #18-#14 AWG.
- 3 INSULATION RANGE: .090-.140 DIA.



SECTION A-A



SECTION B-B



61359-1  
PART NUMBER

THIS DRAWING IS A CONTROLLED DOCUMENT.		DWN MICHAEL S. FEHER	01DEC2004		 Tyco Electronics Corporation Harrisburg, Pa 17105-3608
DIMENSIONS: INCHES		CHK DONALD F. DECKER	10DEC2004		
TOLERANCES UNLESS OTHERWISE SPECIFIED:		APVD DONALD F. DECKER	10DEC2004		
0 PLC ± - 1 PLC ± - 2 PLC ± - 3 PLC ± .010 4 PLC ± - ANGLES ± -		PRODUCT SPEC			
MATERIAL: TEMP 3 STEEL		FINISH: .000080 MIN TIN		APPLIC. SPEC	NAME: RING, ANTIROTATIONAL, 5/16 STUD SIZE
CUSTOMER DRAWING		WEIGHT: -	SIZE: A2	CAGE CODE: 00779	DRAWING NO: C=61359
		SCALE: 4:1	SHEET: 1	OF: 1	REV: E