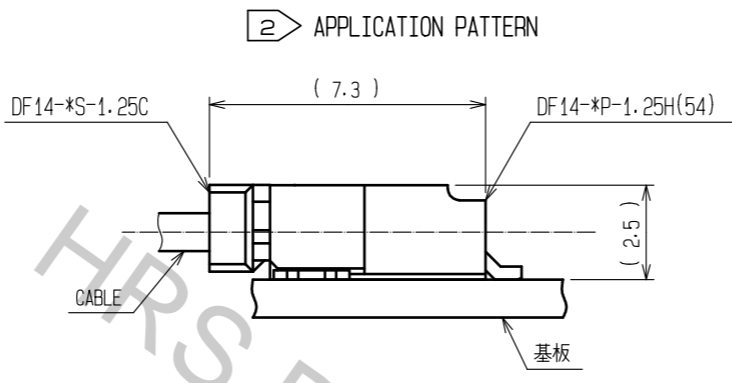
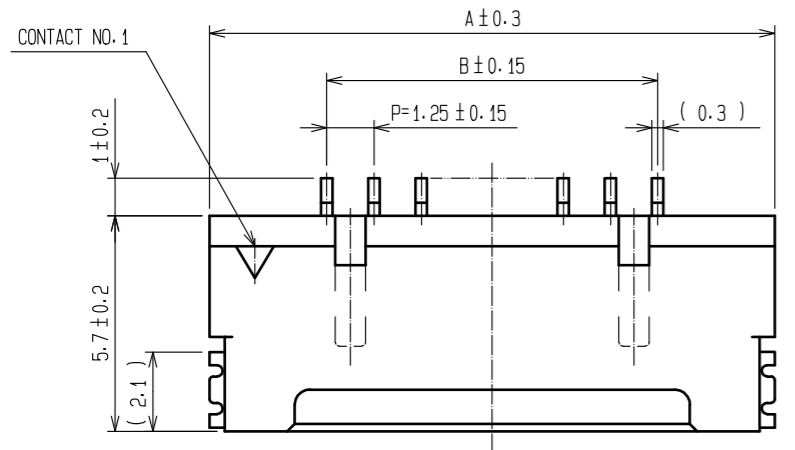
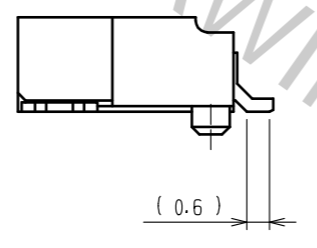
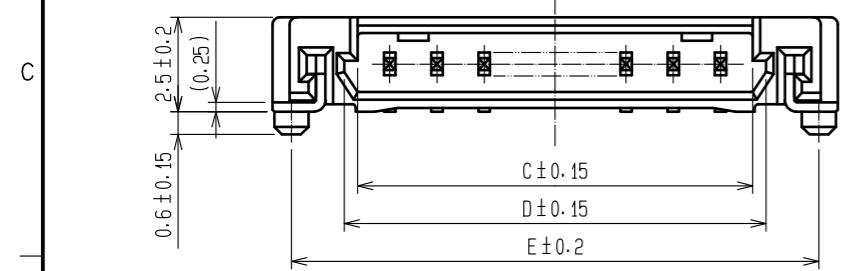


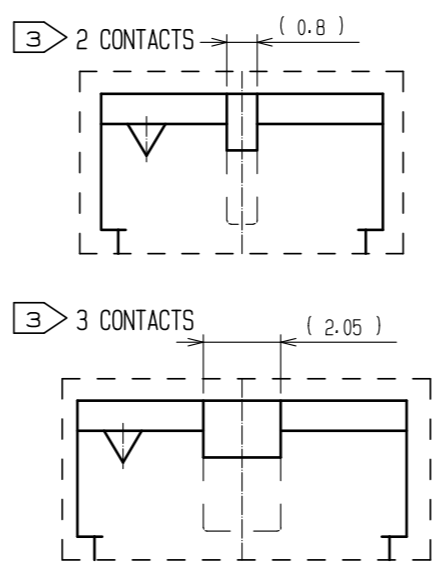
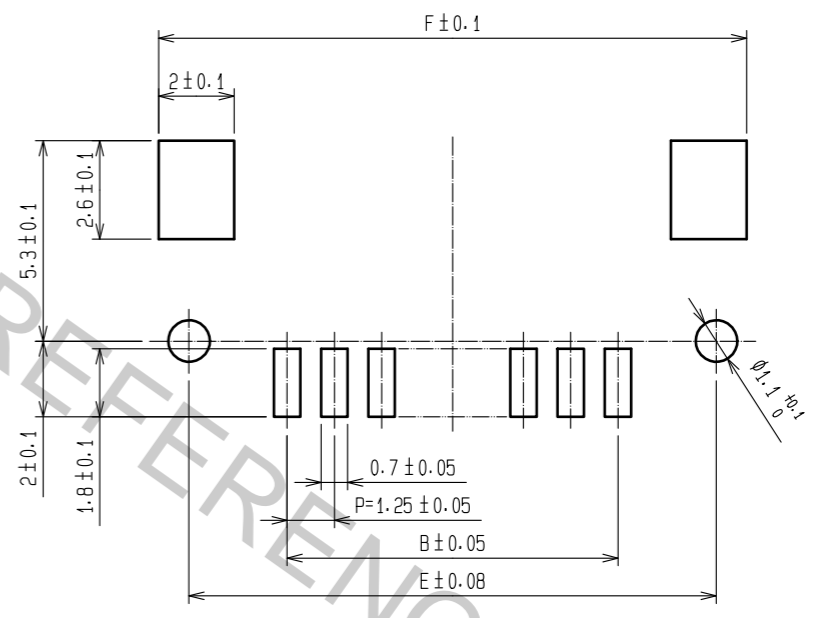
Aug.1.2018 Copyright 2018 HIROSE ELECTRIC CO., LTD. All Rights Reserved.  
 In case that the application demands a high level of reliability, such as automotive,  
 please contact a company representative for further information.



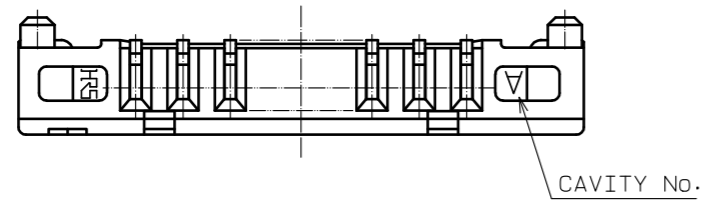
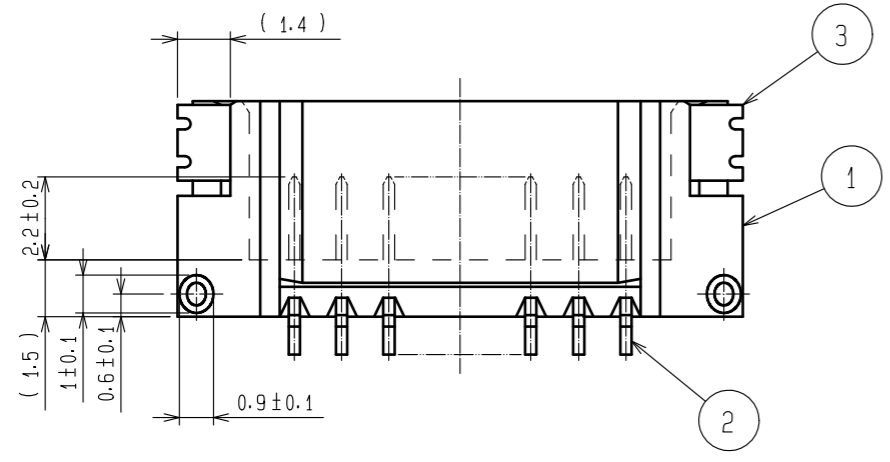
| PART NO.            | HRS NO.         | CONTACTS | A     | B     | C     | D     | E     | F     |
|---------------------|-----------------|----------|-------|-------|-------|-------|-------|-------|
| DF 14- 2P-1.25H(54) | CL538-0021-4-54 | 2        | 7.45  | 1.25  | 2.95  | 3.65  | 6.45  | 8.05  |
| DF 14- 3P-1.25H(54) | CL538-0022-7-54 | 3        | 8.70  | 2.50  | 4.20  | 4.90  | 7.70  | 9.30  |
| DF 14- 4P-1.25H(54) | CL538-0023-0-54 | 4        | 9.95  | 3.75  | 5.45  | 6.15  | 8.95  | 10.55 |
| DF 14- 5P-1.25H(54) | CL538-0024-2-54 | 5        | 11.20 | 5.00  | 6.70  | 7.40  | 10.20 | 11.80 |
| DF 14- 6P-1.25H(54) | CL538-0025-5-54 | 6        | 12.45 | 6.25  | 7.95  | 8.65  | 11.45 | 13.05 |
| DF 14- 7P-1.25H(54) | CL538-0026-8-54 | 7        | 13.70 | 7.50  | 9.20  | 9.90  | 12.70 | 14.30 |
| DF 14- 8P-1.25H(54) | CL538-0027-0-54 | 8        | 14.95 | 8.75  | 10.45 | 11.15 | 13.95 | 15.55 |
| DF 14- 9P-1.25H(54) | CL538-0028-3-54 | 9        | 16.20 | 10.00 | 11.70 | 12.40 | 15.20 | 16.80 |
| DF 14-10P-1.25H(54) | CL538-0029-6-54 | 10       | 17.45 | 11.25 | 12.95 | 13.65 | 16.45 | 18.05 |
| DF 14-15P-1.25H(54) | CL538-0084-4-54 | 15       | 23.70 | 17.50 | 19.20 | 19.90 | 22.70 | 24.30 |
| DF 14-20P-1.25H(54) | CL538-0089-8-54 | 20       | 29.95 | 23.75 | 25.45 | 26.15 | 28.95 | 30.55 |
| DF 14-25P-1.25H(54) | CL538-0094-8-54 | 25       | 36.20 | 30.00 | 31.70 | 32.40 | 35.20 | 36.80 |
| DF 14-30P-1.25H(54) | CL538-0020-1-54 | 30       | 42.45 | 36.25 | 37.95 | 38.65 | 41.45 | 43.05 |



RECOMMENDED PATTERN



NOTE 1. LEAD CO-PLANALITY INCLUDE REINFORCED METAL FITTING SHALL BE 0.1 MAX.  
 2. WHEN THIS CONNECTOR MATES WITH DF14-\*S-1.25C, THE MATTING LENGTH IS 7.3mm.  
 3. FOR CONNECTORS, 2 OR 3 CONTACTS, SIMPLIFIED LOCK HOLE SHALL BE SET AT THE CENTER OF HOUSING.



| NO. | MATERIAL  | FINISH . REMARKS   | NO. | MATERIAL        | FINISH . REMARKS   |
|-----|-----------|--|-----|-----------------|--|
| 2   | BRASS     | CONTACT AREA:GOLD PLATED 0.1µm min<br>LEAD AREA:TIN-COPPER PLATED 1µm min<br>UNDER PLATING:NICKEL PLATED 1µm min | 5   | ELASTOMER       | GREEN  |
| 1   | POLYAMIDE | BEIGE, UL94V-0   | 4   | R. PVC          | ELECTROSTATIC PROTECTION, CLEAR                                    |
|     |           |  | 3   | PHOSPHOR BRONZE | TIN-COPPER PLATED 1µm min<br>UNDER PLATING:NICKEL PLATED 0.5µm min |

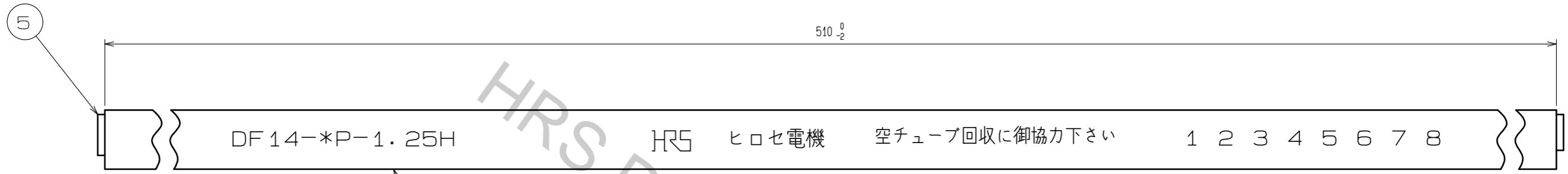
  

| UNITS | SCALE | COUNT | DESCRIPTION OF REVISIONS         | DESIGNED | CHECKED | DATE |
|-------|-------|-------|----------------------------------|----------|---------|------|
| mm    | 5 : 1 | △     | APPROVED : HS. OKAWA 18.03.16    |          |         |      |
|       |       |       | CHECKED : TS. FUKUSHIMA 18.03.16 |          |         |      |
|       |       |       | DESIGNED : TS. KUMAZAWA 18.03.08 |          |         |      |
|       |       |       | DRAWN : MK. INOUE 18.03.07       |          |         |      |

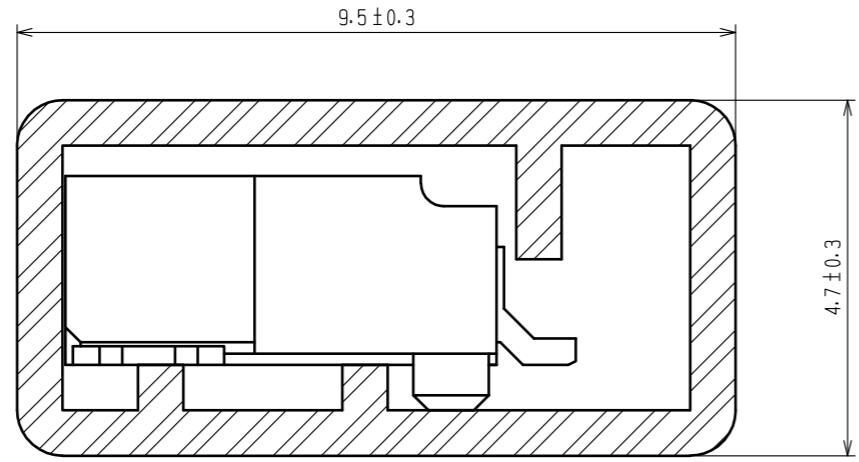
  

|             |                    |
|-------------|--------------------|
| DRAWING NO. | EDC-160307-54-00   |
| PART NO.    | DF14- *P-1.25H(54) |
| CODE NO.    | CL538-             |

Aug.1.2018 Copyright 2018 HIROSE ELECTRIC CO., LTD. All Rights Reserved.  
 In case that the application demands a high level of reliability, such as automotive,  
 please contact a company representative for further information.



A-A (10:1)



NOTE 4 THE TUBE HAS ONE STOPPER AT EACH END.  
 5 WARPAGE OF THE TUBE SHALL BE ALLOWED ±2mm PER 510mm.  
 6 MINIMUM UNIT OF PURCHASE SHALL BE THE QUANTITY OF CONNECTORS IN TUBE.

| PART NO.           | CONTACTS | QUANTITY OF CONNECTOR |
|--------------------|----------|-----------------------|
| DF14-2P-1.25H(54)  | 2        | 66                    |
| DF14-3P-1.25H(54)  | 3        | 56                    |
| DF14-4P-1.25H(54)  | 4        | 49                    |
| DF14-5P-1.25H(54)  | 5        | 44                    |
| DF14-6P-1.25H(54)  | 6        | 39                    |
| DF14-7P-1.25H(54)  | 7        | 36                    |
| DF14-8P-1.25H(54)  | 8        | 32                    |
| DF14-9P-1.25H(54)  | 9        | 30                    |
| DF14-10P-1.25H(54) | 10       | 28                    |
| DF14-15P-1.25H(54) | 15       | 20                    |
| DF14-20P-1.25H(54) | 20       | 16                    |
| DF14-25P-1.25H(54) | 25       | 13                    |
| DF14-30P-1.25H(54) | 30       | 11                    |

|            |             |                   |
|------------|-------------|-------------------|
| <b>HRS</b> | DRAWING NO. | EDC-160307-54-00  |
|            | PART NO.    | DF14-*P-1.25H(54) |
|            | CODE NO.    | CL538-            |
|            |             | △ 2/2             |