



TM

FOR USE WITH PANDUIT®

T70

ROUTING SYSTEMS

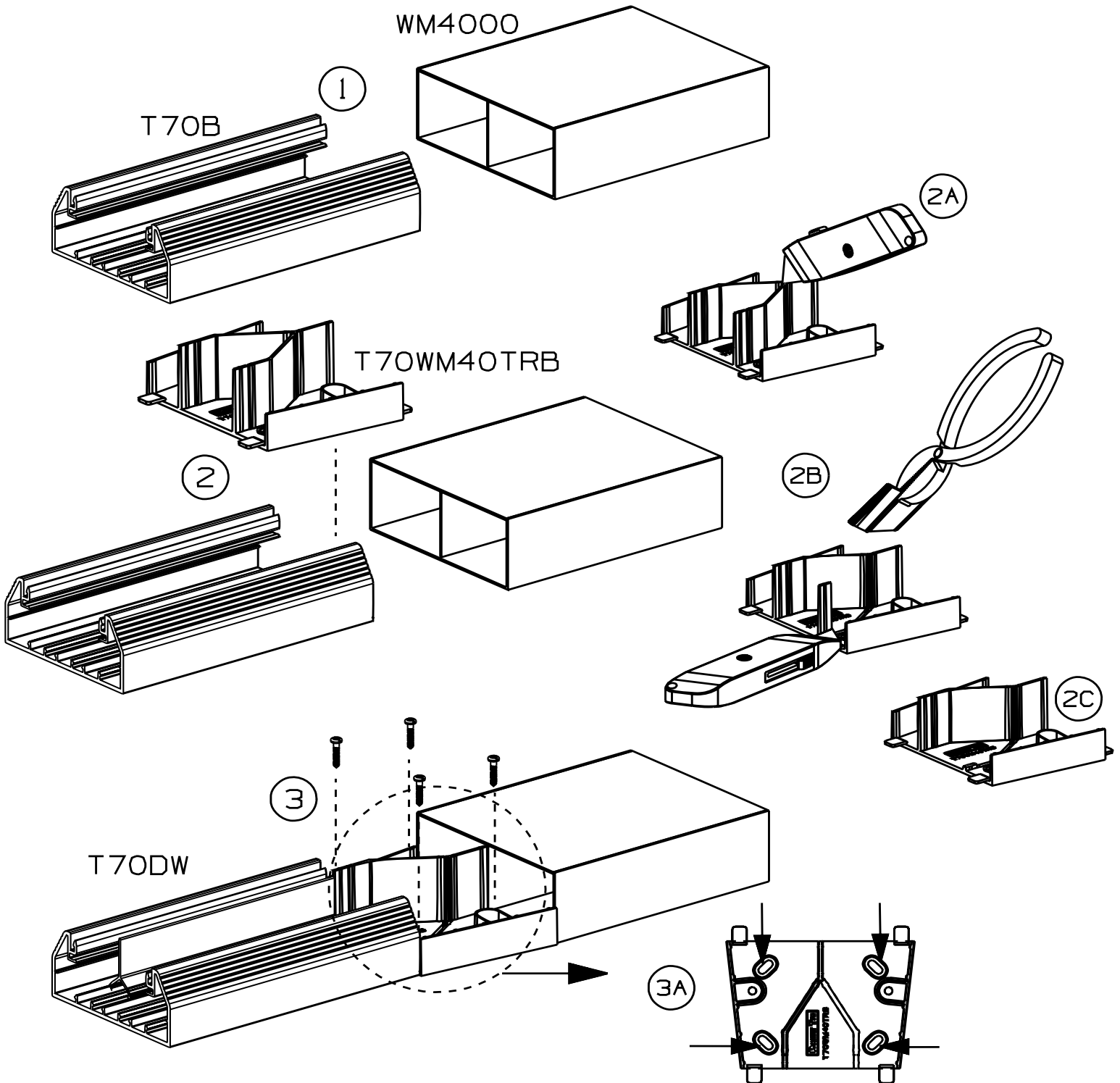
T70 RACEWAY TO WIREMOLD® 4000 RACEWAY TRANSITION FITTING

Part Number: T70WM40TR

INSTALLATION INSTRUCTIONS

Panduit Corp. 2002

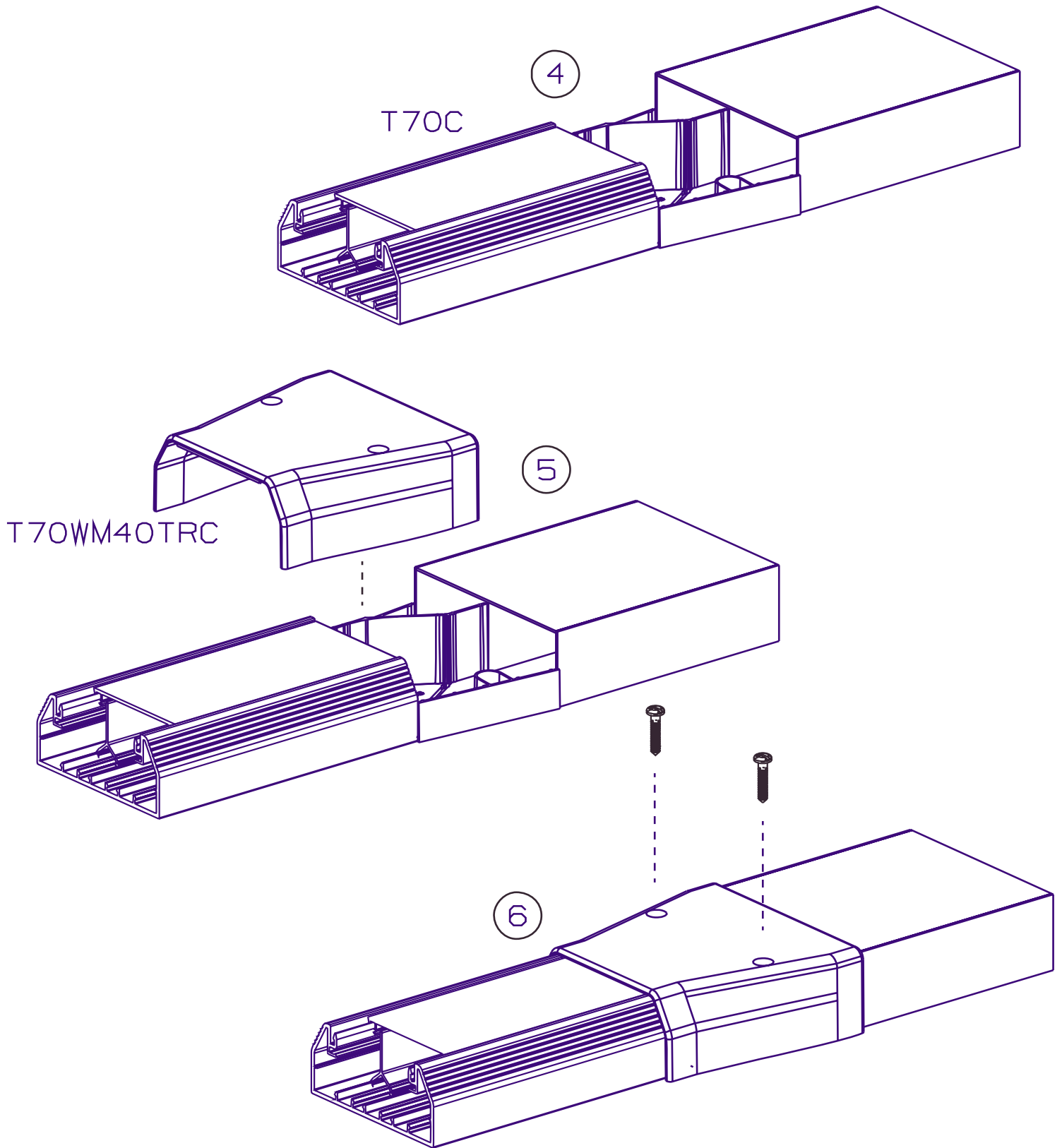
Made in U.S.A.



Wiremold is a Registered Trademark of the Wiremold Co.

For Technical Assistance, call: 866-405-6656

INSTALLATION INSTRUCTIONS



INSTRUCTION SHEET RW166B

WORLDWIDE SUBSIDIARIES AND SALES OFFICES

17301 Ridgeland Avenue
Tinley Park, IL 60477-3091
Web Site: www.panduit.com/ncg



TM

Technical Support: 866-405-6656
Fax: 866-449-1702
Email: netconnsupport@panduit.com

RACEWAY SYSTEMS DIVISION