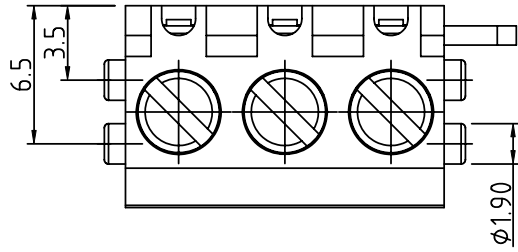


PRODUCT NUMBER	PITCH
V30301x100J0G	5.00 mm

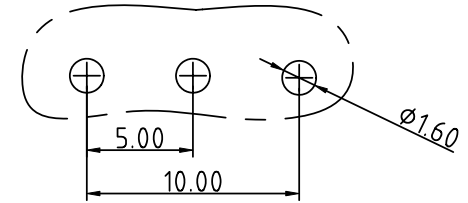


PART NO.: V3 03 0 1 x 1 00J0 G

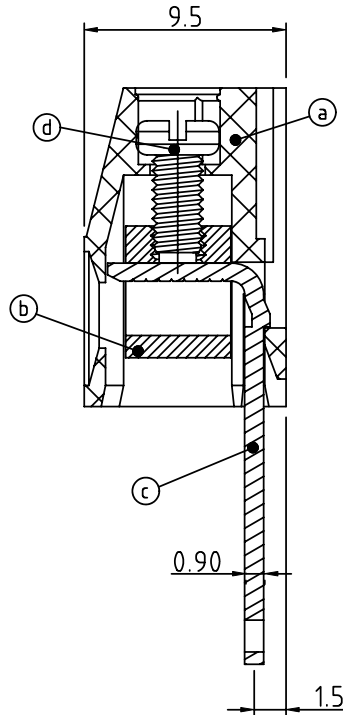
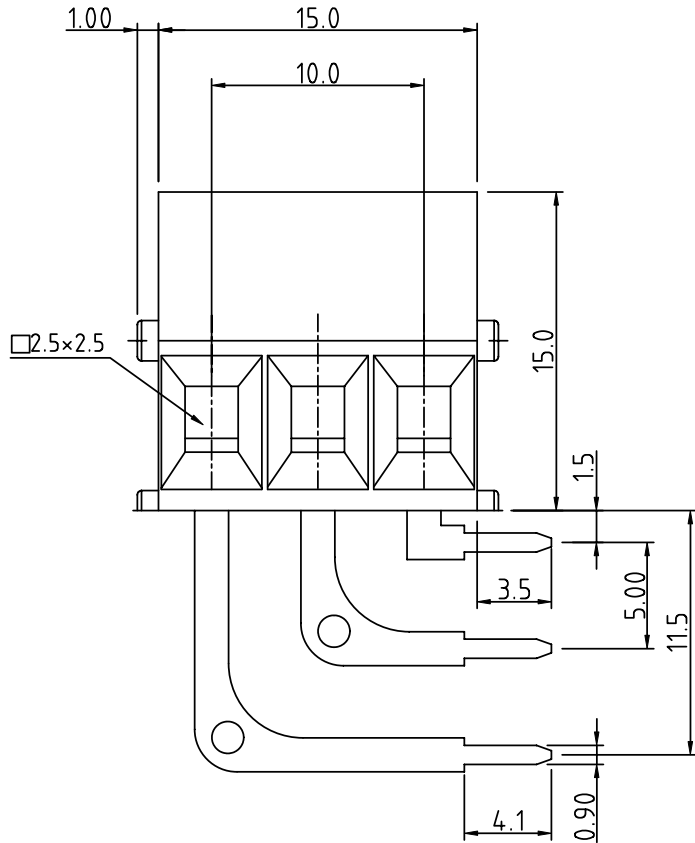
Solid Block
No. of poles
03 3 poles

- Color
- 0 Black (RAL9005)
 - 2 Red (RAL3001/D)
 - 3 Orange(RAL2011/P)
 - 4 Yellow(RAL1018/A)
 - 5 Green(RAL6018/T)
 - 6 Blue (RAL5015/A)
 - 8 Grey(RAL7004/P)
 - 9 White(RAL1102)

RoHS compliant
(lead<4%)
In copper Alloy



RECOMMENDED P.C.B LAYOUT
TOP VIEW



Material:

- Item① Terminal housing: Thermoplastic (UL 94V-0)
- Item② Clamp : Brass ,Ni plated
- Item③ Solder pin : Brass , Bright Tin plated over Nickel plated
- Item④ Terminal screw: Steel Zinc plating"- "slot type

Electrical UL 1059

- Voltage rating: 300VAC
- Current rating: 10A
- Wire range:
- Solid wire(AWG): 12-22
- Stranded wire(AWG): 12-22
- Torque(Lb-In): 3.5
- Screw: M2.5
- Wire strip length: 6-7mm
- Withstanding Voltage: 1.6KV
- Operating temperature: -40°C to +115°C
- Wave soldering temperature: 260°C±5°C/5 Sec

mat'l. code		surface ASME Y14.5 ✓		tolerance ASME Y14.5		projection		product family	
ltr		ecn no		dr		date		TERMINAL BLOCK	
A		EZ		040814		040814		title	
B		T-24949		HF		090716		TERMINAL BLOCK	
				angles		X.±0.5		RISING CLAMP,180D WIRE INLET,RIGHT TYPE	
				X*±1"		X.XX±0.3		scale	
				dr		EVIN ZHONG 040814		dwg no	
				enr		EVIN ZHONG 040814		sheet 1 of 1	
				chr		HANKE FENG 040814		size	
				appd		SHI JUN 040814		A4	
sheet index		revision		B				Amphenol FCI	
sheet		1						V30301x100J0G	
								type	
								CUSTOMER Drawing	