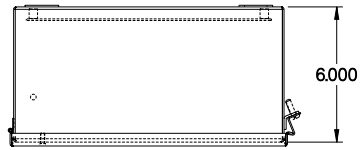


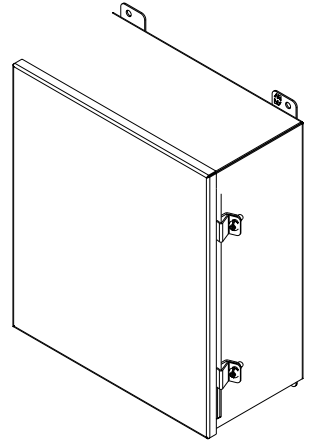
**PART No. 1414N4PHSSM6**

for more information visit  
[www.hammfg.com](http://www.hammfg.com)

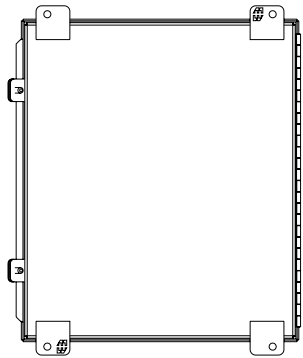
Data subject to change without notice



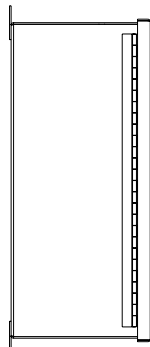
TOP VIEW



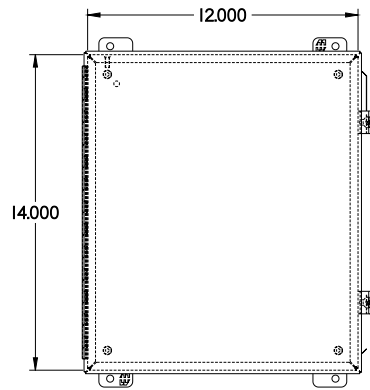
ISOMETRIC VIEW



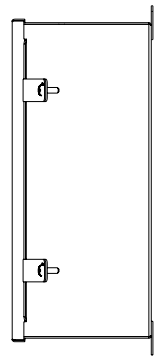
BACK VIEW



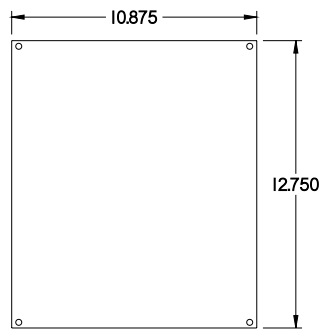
LEFT SIDE VIEW



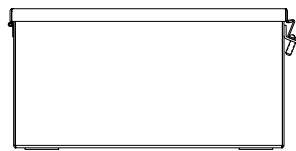
FRONT VIEW



RIGHT SIDE VIEW



INNER PANEL



BOTTOM VIEW