

D

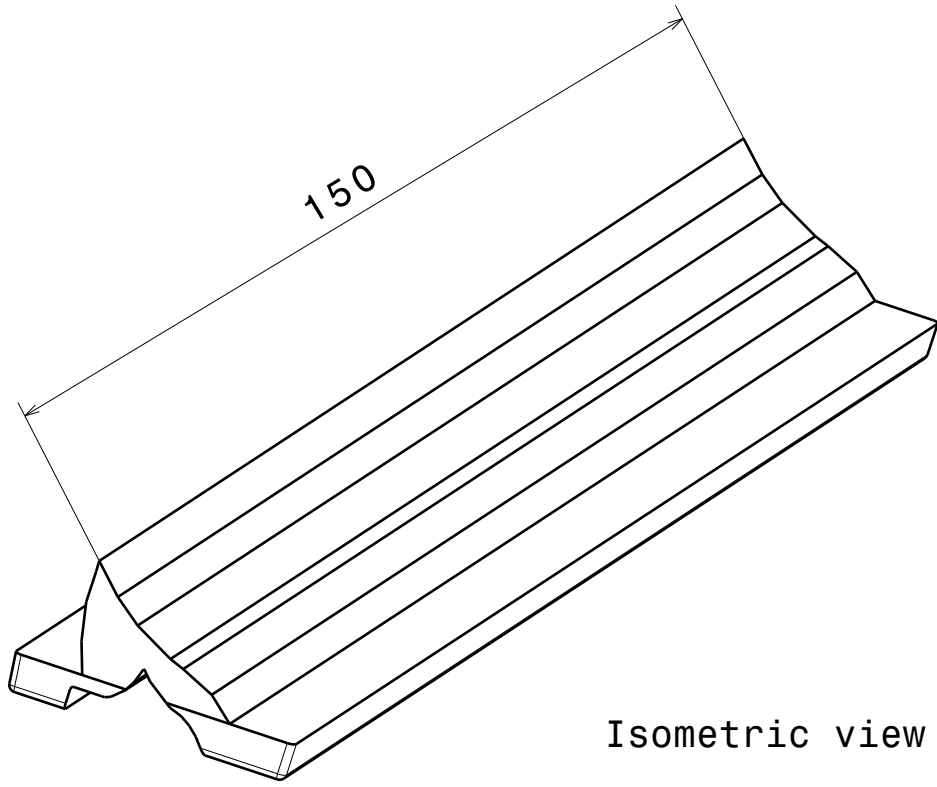
C

B

A

4

4



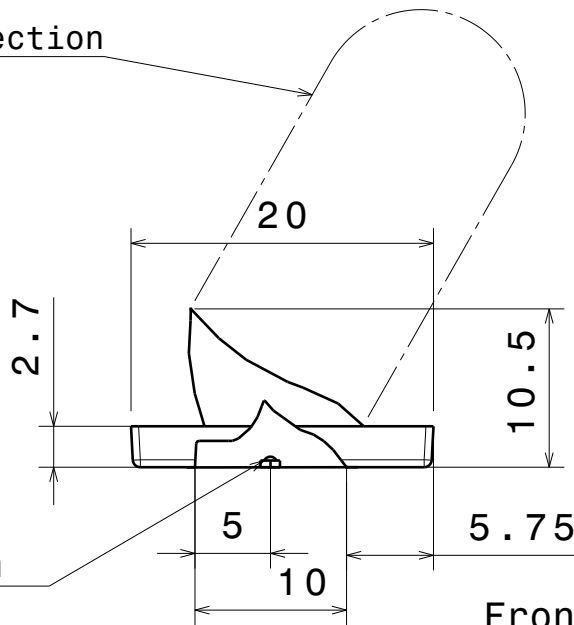
Isometric view

3

3

Beam direction

LED Position



Front view

2

2

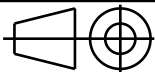
MATERIAL: PMMA clear

Tolerances if not otherwise shown
 According to DIN ISO 2768-1
 Linear measures:
 Up to 30mm class M, otherwise class C.
 According to DIN ISO 2768-2
 Form and position: class L

LEDiL

Ledil Oy
 Salorankatu 10
 FIN 24240 SALO
 Finland

THIRD ANGLE PROJECTION:



DRAWING TITLE

C12446_Sophie

This drawing is the property
 of LEDiL Oy. It may not be
 reproduced, copied or
 communicated without a written
 agreement with LEDiL Oy."

SIZE

PART NUMBER

A4

Datasheet

SCALE

1:1

WEIGHT

(g)

SHEET

1/1

1

1

D

A