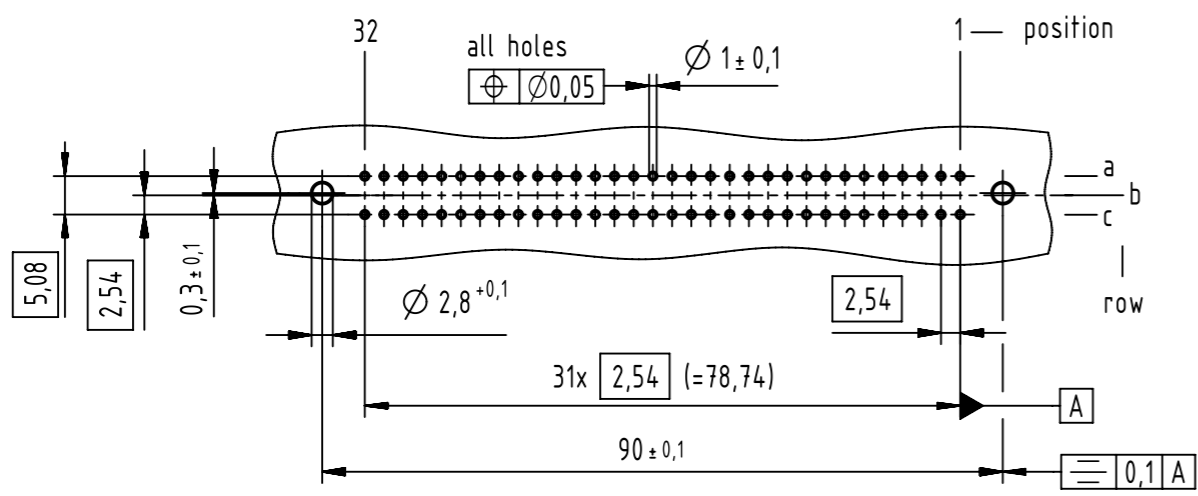


1 2 3 4 5 6 7 8

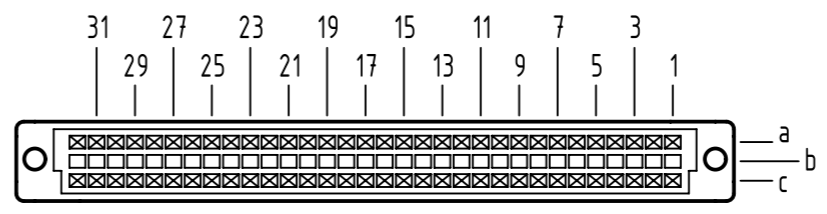
A
B
C
D
E
F

A
B
C
D
E
F

A
board drillings



A
contact arrangement

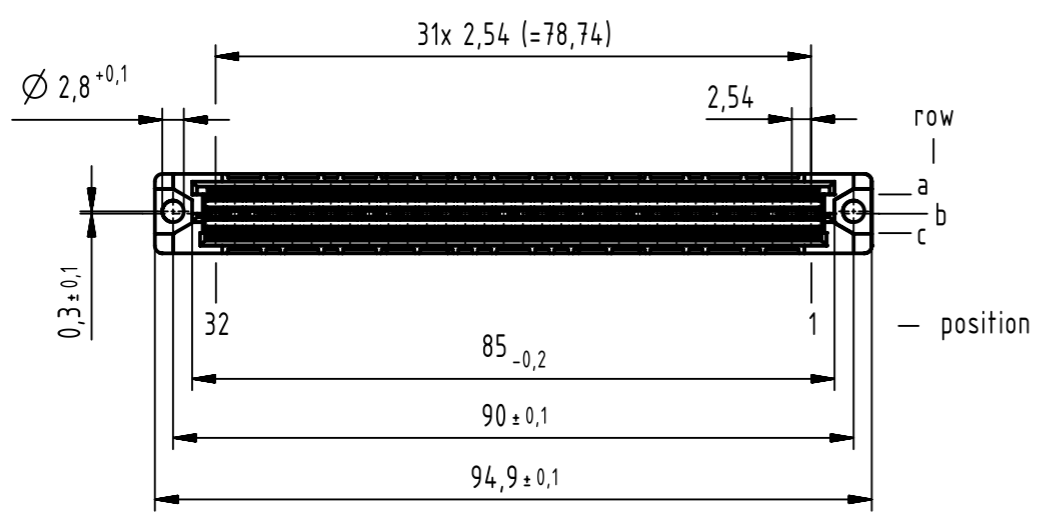
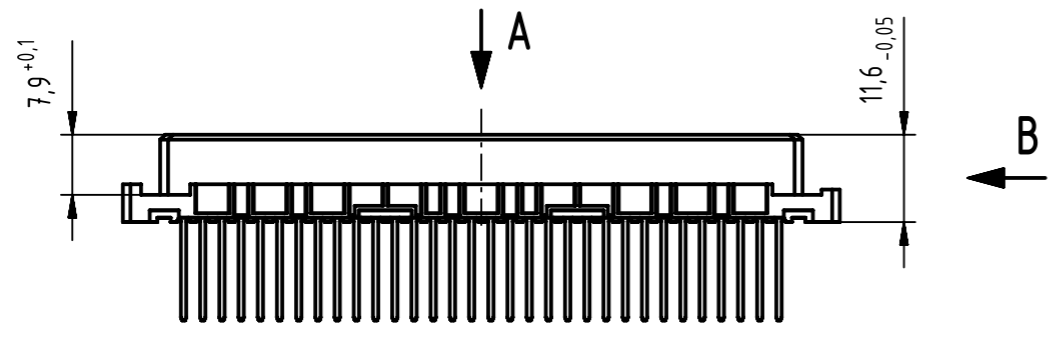
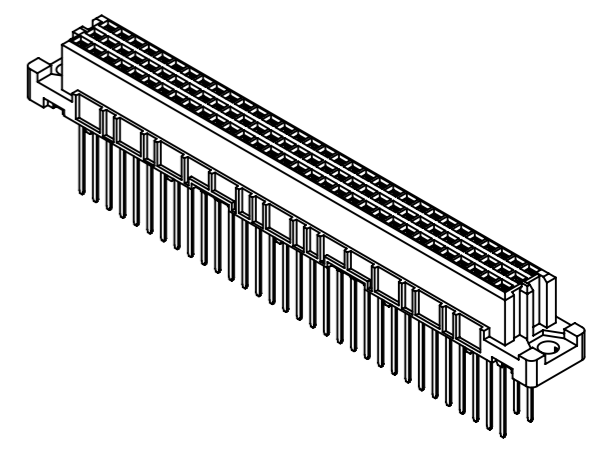
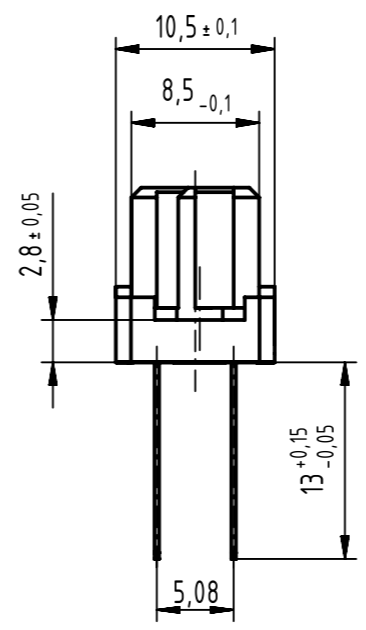


64 solder contacts

☒ = position with contact

☐ = position without contact

B (2:1)



① further information see: DS 09032100001

09 03 264 6421	2
part-no	performance level ①

<p>All rights reserved Department EC PD - DE</p>	<p>Created by ZWAHR</p>	<p>Inspected by LEHNERT</p>	<p>Standardisation HOFFMANN</p>	<p>Date 2014-12-11</p>	<p>State Final Release</p>	<p>Ref. Sub. TB 0903264X421 / Mod.32850 / 13.07.05</p>		
						<p>Title DIN Signal type C female solder 13.0</p>		
<p>HARTING Electronics GmbH D-32339 Espelkamp</p>		<p>Type TB</p>	<p>Number 0903264X421</p>			<p>Doc-Key / ECM-Nr. 100173852/UGD/249/D 50000082368</p>	<p>Rev. D</p>	<p>Page 1/1</p>

1 2 3 4 5 6 7 8

A3