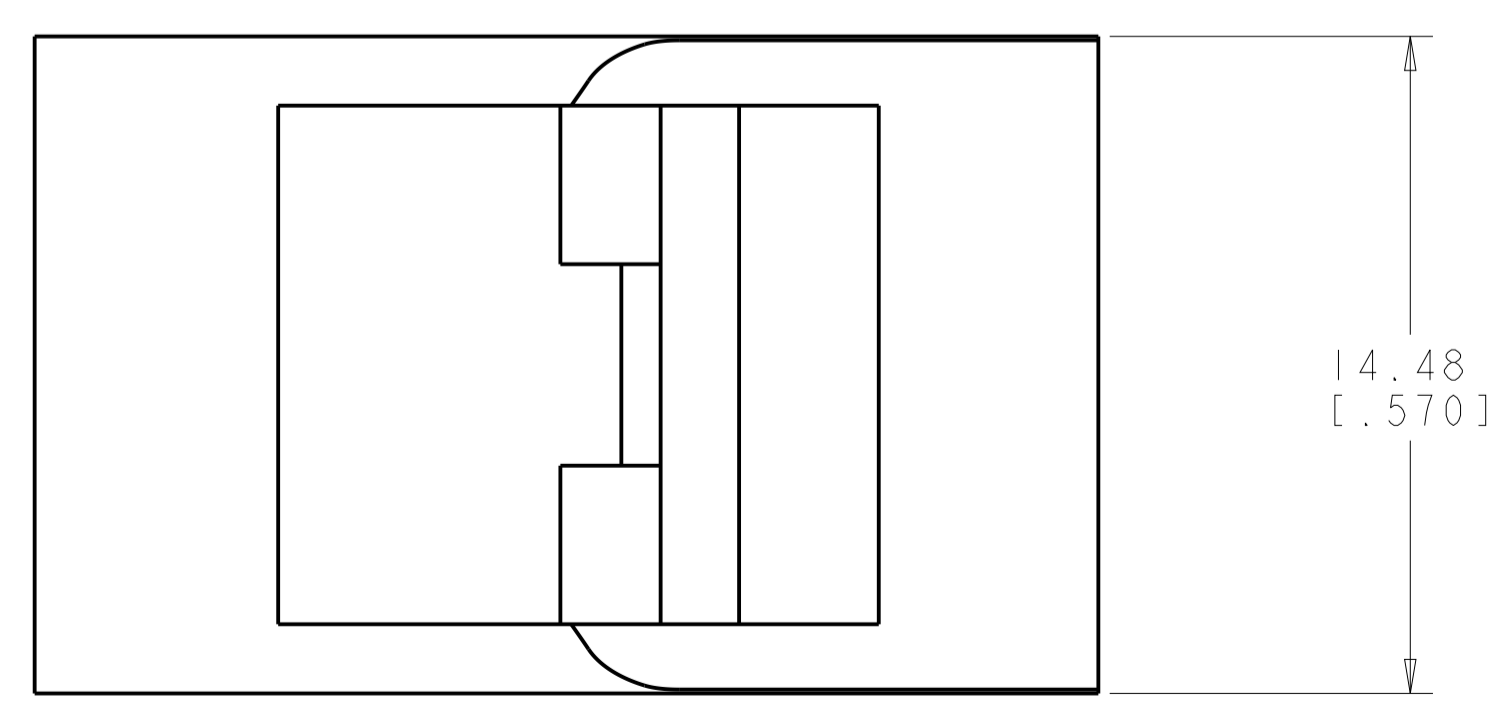
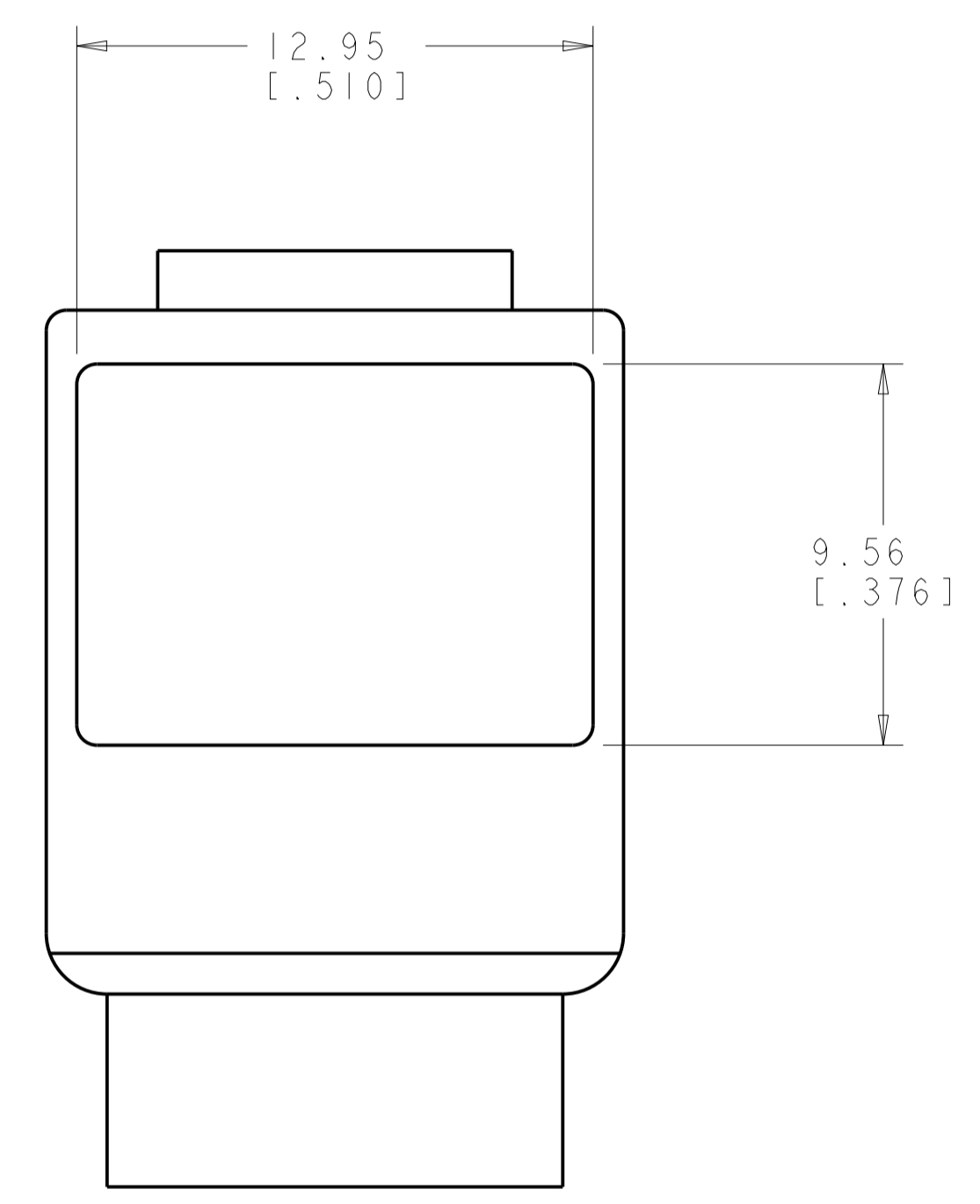
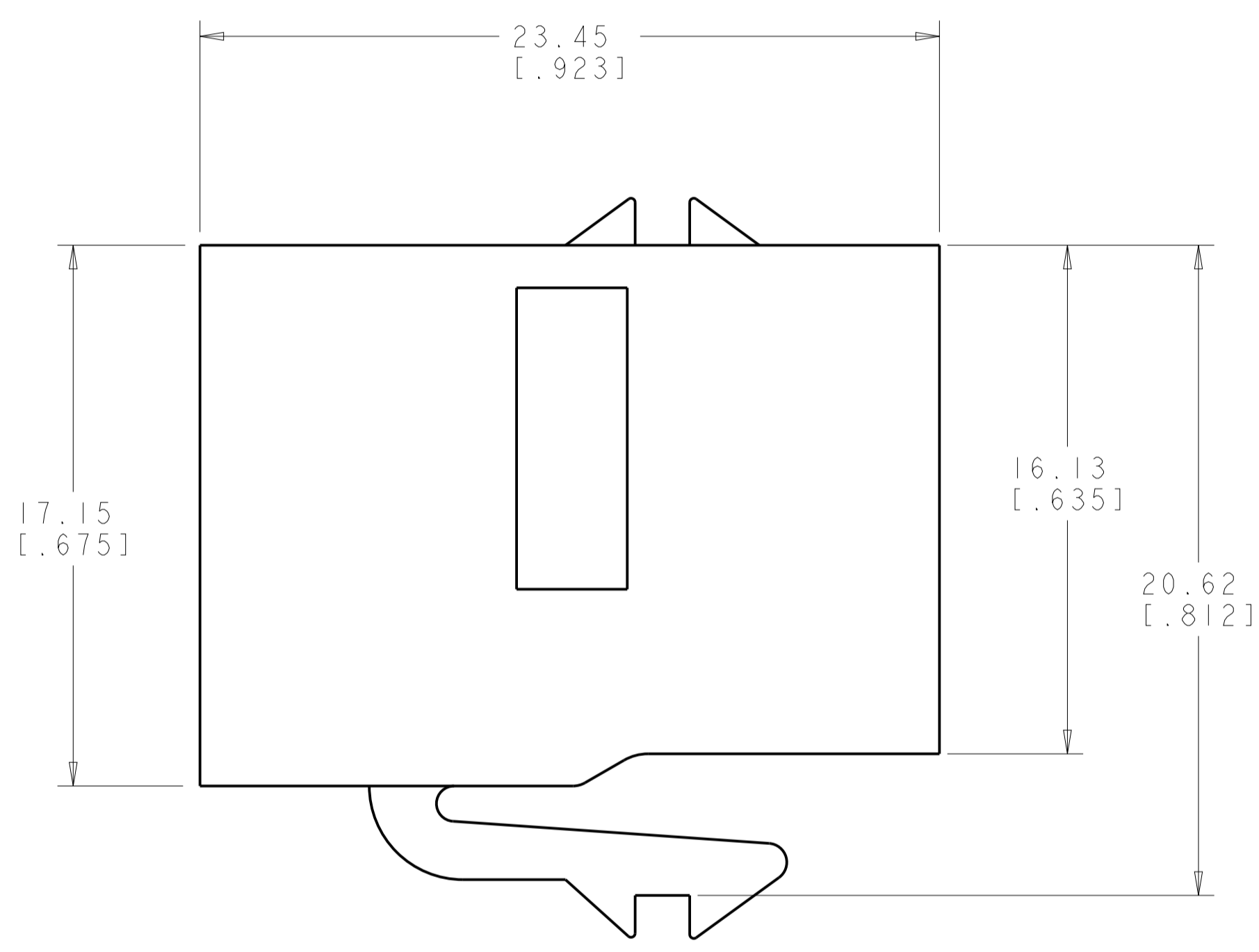
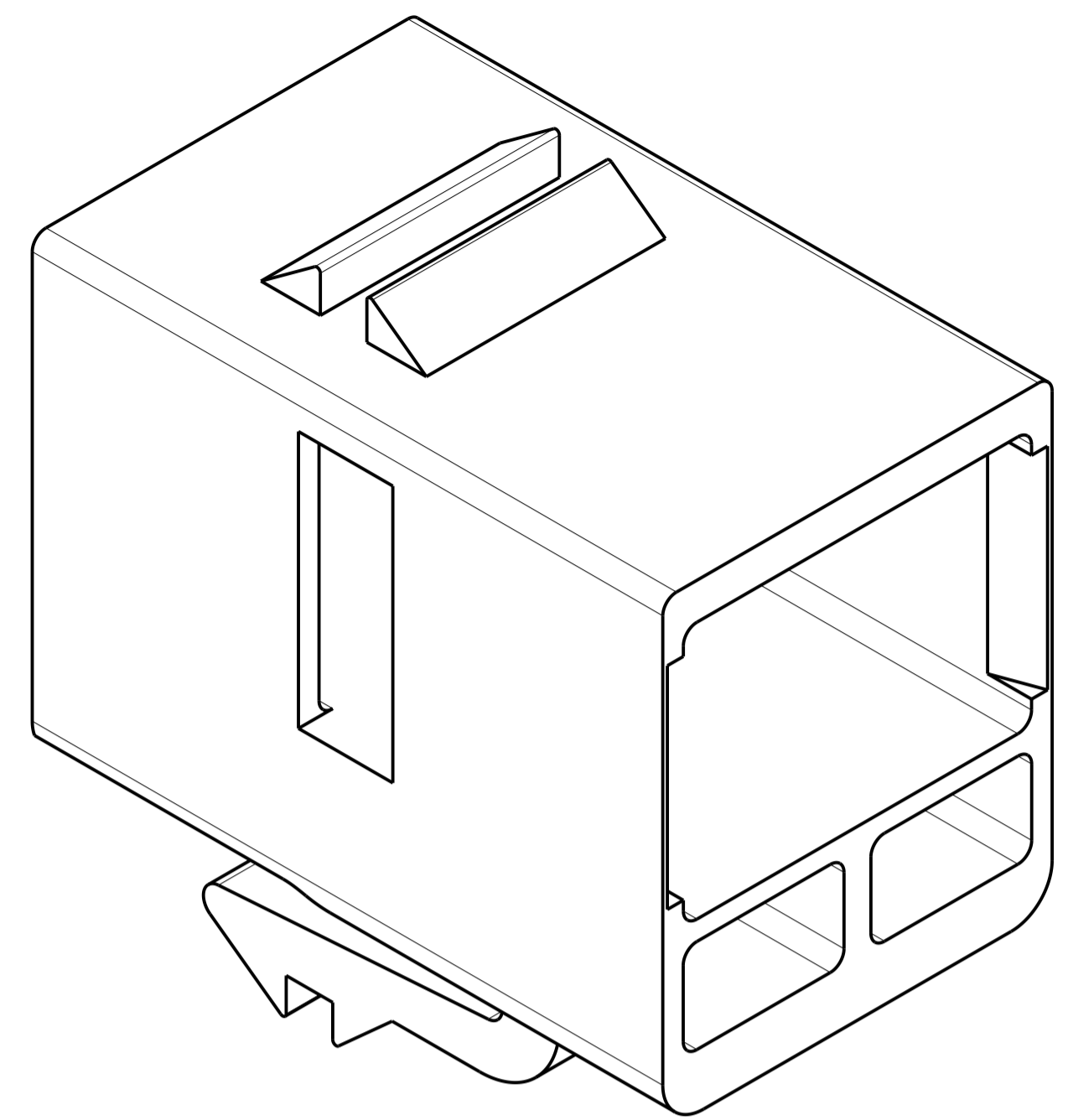


THIS DRAWING IS UNPUBLISHED. RELEASED FOR PUBLICATION
© 2016 COMMSCOPE, INC. CONFIDENTIAL NOTICE: THESE DRAWINGS AND SPECIFICATIONS ARE THE PROPRIETARY PROPERTY OF COMMSCOPE, INC. AND MAY BE USED ONLY FOR THE SPECIFIC PURPOSE AUTHORIZED IN WRITING BY COMMSCOPE, INC.

REVISIONS				
P.	LTN.	DESCRIPTION	DATE	APP'D.
A		RLSD; ECO-11-010701	31MAY2011	GG RA
B		REV; ECO-13-016164	15OCT2013	GG RA
C		REV; 40026090MCO	29OCT2015	GG LS
D		REV PER BNS_CD_BRAND	01FEB2017	GG DC

⚠ MATERIAL: POLYPHENYLENE OXIDE MOLDING COMPOUND.
 ⚠ DIMENSIONS SHOWN FOR REFERENCE ONLY.



AQUA	2-2111408-4
ALPINE WHITE	1-2111408-3
BEIGE	1-2111408-2
GREEN	2111408-9
YELLOW	2111408-8
RED	2111408-7
BLUE	2111408-6
ORANGE	2111408-5
GRAY	2111408-4
BLACK	2111408-2
LIGHT ALMOND	2111408-1
COLOR	PART NUMBER

THIS DRAWING IS A CONTROLLED DOCUMENT.		DWN G. GARRETT 31MAY2011	COMMSCOPE, INC.	
DIMENSIONS: MM [INCHES]		CHK R. ASHBY 31MAY2011		
TOLERANCES UNLESS OTHERWISE SPECIFIED:		APP'D R. ASHBY 31MAY2011	NAME JACK HOUSING, SL 110, LC	
0 PLC ±	⚠	PRODUCT SPEC	SIZE CAGE CODE DRAWING NO	
1 PLC ±		APPLICATION SPEC	RESTRICTED TO	
2 PLC ±		WEIGHT	A1	
3 PLC ±		FINISH	C=2111408	
4 PLC ±		Customer Drawing	SCALE 6:1	SHEET 1 OF 1
ANGLES ±				REV D